

Why try to fit a **SQUARE PEG** into a **ROUND HOLE?**



HOMELAND AND WAYMARK ARE THE "PERFECT MATCH".

Homeland and Waymark work together to manufacture railing systems.

Waymark's Summit brackets are designed for a "perfect fit" to Homeland's railing profiles. Other companies manufacture their accessories with an oversize corner radius limiting the range of compatibility to other profiles. By combining Homeland profiles with Waymark accessories your caps and brackets will look beautiful and will not stick out as a "piece-together" project.

Systems are tested for ICC Building Code compliance

Homeland and Waymark have invested into the safety of products by extensively testing Deck and Rail systems for International Building Code compliance. This is backed by our Quality Assurance program and third party audits. We believe that your railing project should not be compromised with profiles and accessories that have not been tested as a system.

Homeland and Waymark are color matched

Are you tired of buying accessories from a company that the colors don't match perfectly with your profiles? Waymark products, through quality control systems, are virtually color matched to Homeland's profiles. Your caps, lighting, brackets, lattice, column, post, and spindles will be a perfect color match to all Homeland profiles.

That's why we say, Homeland and Waymark sell systems...not accessories!



www.HomelandVinyl.com



Loyalty Program - Homeland & Waymark

Ask your sales representative about customer loyalty programs to save you money on a wide selection of profiles and matching accessories.



800-999-6813
info@homelandvinyl.com

HomelandVinyl.com

Find Us On Flipboard
Search "Homeland Vinyl"



877.652.6118
sales@waymarkproducts.com
Waymark Products, LLC

WaymarkProducts.com

Find Us On Flipboard
Search "Waymark Products"



Table of Contents

3.....	Homeland Company Statement		
5.....	VMA, ACCU-Shield, Homewood & Declaration of Principles		
6.....	Made To Order (MTO) Program		
7.....	Fabrication Guidelines		
8.....	Waymark Company Statement		
10.....	Fence Profiles & Accessories		
	Lattice.....	18	
	Gorilla Fence.....	19	
	Gorilla Hardware.....	27	
30.....	Gorilla Guard Rail Systems		
	2"x3-1/2" & Deck-Over Rail.....	31	
	Summit T-Rail.....	35	
	Gorilla Grab Rail.....	39	
	Pickets.....		43
	Post/Picket Caps.....		47
	Trim Rings.....		48
51.....	Gorilla Matrix		
56.....	Gorilla Wrap		
59.....	Gorilla Posts & Accessories		
63.....	Gorilla Caps & Tops		
69.....	Gorilla Lighting		
	Solar Lighting.....		70
	Low Voltage Lighting.....		75
84.....	Gorilla Mounts		
90.....	Insert / Stiffeners		
94.....	Miscellaneous		

HOMELAND VINYL

COMPANY STATEMENT

Homeland Vinyl Products, Inc. is dedicated to delivering high quality products and excellent service to our customers without exception. We understand the importance of our customers' success in the Fence, Deck, Railing and Outdoor Living Products markets. We value our relationships with our customers and pledge that we will operate at the highest level of integrity.

CUSTOMER ACCOUNTS

All customers are required to complete an Application for Trade Account and update it periodically. This application requires the signature of a Corporate Officer, Managing Member, Partner or Owner. Homeland Vinyl Products, Inc. only sells wholesale. Customers are required to provide a copy of their company's sales tax exemption certificate or resale certificate before any sale can be initiated. Customers are further required to provide Homeland Vinyl Products, Inc. updated sales tax exemption or resale certificates upon expiration of the initial certificate provided. Standard terms are payment in full by electronic check, wire transfer, or credit card at time of shipment. Payments can be made at HomelandVinyl.com. Customers requesting credit terms must submit financial information. Credit terms are net 30 days subject to the approval of Homeland® based on financial data provided, credit checks, and payment history. Credit terms are subject to change. Customer accounts outside of agreed terms are subject to being placed On Hold with shipments held until the account is satisfied. Accounts not paid within terms will be charged interest at the rate of 1.5% per month. Prices are subject to change without notice.

PLACING ORDERS

All orders are subject to acceptance and approval. All orders must be submitted in writing by fax or email to Homeland Vinyl Products, Inc. All product orders must be clearly identified by part number, color, detailed description, and quantity. Illegible orders will not be accepted. All orders will be confirmed in writing with the Terms and Conditions of Sale before acceptance. Confirmed orders cannot be canceled without authorization. Please contact a Homeland® Customer Service Representative for additional order information and requirements.

SHIPMENT OF ORDERS / DAMAGE OR SHORTAGES

Homeland® ships products from the factory and from distribution centers. Homeland reserves the right to ship its customers the products they ordered from any location. All prices are F.O.B. point of shipment. The customer is responsible for reviewing all order confirmations for the correct customer shipping address. Homeland strives to find the cheapest reliable shipping method for all orders. Homeland is not responsible for delays in delivery when caused by strikes, fires, accidents, Acts of God, or other forces outside of Homeland's control. Please contact a Homeland Customer Service Representative for your specific needs and additional shipping information.

All shipments received should be immediately inspected by the customer. All dents, tears, breakages, or other visible damage to both packaging materials and products should be noted on the shipping documents with a copy given to the freight carrier and a copy sent to Homeland. Damages or lost product due to shipping must be reported and claimed from the freight carrier. All claims of material shortages or damaged goods must be made within 48 hours of customer's receipt of products.

RETURNED GOODS POLICY

All returns of products must have the prior written approval of an authorized representative of Homeland®, must be for justifiable reasons, and must be within 60 days of receipt of product. Customers requesting to return products must submit in writing in advance of return a detailed list of the materials to be returned, date of purchase, invoice number, and reason for return. Custom and special order items will not be accepted for return. Do not return any items without a return authorization. All returned material must be shipped to the plant location from which the shipment originated. The material must be freight prepaid and include a list of the products returned and a copy of the Homeland return authorization. Returned products must be received by Homeland in same packaging and condition as originally sent and are subject to our Warehouse Manager’s count and inspection. **Any credits issued for approved returns will be based on the invoice price of the returned products at time of purchase by customer less a restocking charge of 20%.**

LIMITED WARRANTY

Homeland® warrants that the products we manufacture are free of defects in materials and workmanship. Products distributed by Homeland, but not manufactured by Homeland, are covered under the original manufacturer’s warranty. Please contact a Homeland Customer Service Representative for specific information on the warranty of the Homeland products you wish to purchase. Additional warranty information is detailed in the Terms and Conditions on the back of each invoice.

TERMS AND CONDITIONS OF SALE ARE SPECIFIED WITH ORDER CONFIRMATION AND DETAILED ON THE FRONT AND BACK OF EVERY INVOICE.



Quick Tip: Understanding our Homeland part numbers

ITEM KEY EXPLANATION

COLOR CODES

W - White Y - Honey Maple D - Adobe Q - Earl Gray
T - Tan O - Mocha Walnut U - Green Teak

(See next page for Gray and Beige ordering guidelines)

INVENTORY CODES

F54U W 064 346
Profile Color Length Pieces
Code Code in Inches per Bundle

Refer to profile sheet to obtain the profile code for the product you are ordering. Always review your order confirmation with descriptions to ensure order accuracy.

When ordering a length that is fractional, use the following list to determine the proper code for the length you require.

1/4" - A 1/2" - B 3/4" - C 1/8" - D
3/8" - E 5/8" - F 7/8" - G 11/16" - H

Example: 64-1/2" would be 64B



VMA Certified!

**Uncompromising quality. Innovative engineering.
Enduring craftsmanship. VMA certified!**

These qualities are what make Homeland® profiles exceptional. With any Homeland profile you choose, you can be confident your choice will create a distinctive design signature, and will provide you with many years of low-maintenance, worry-free enjoyment. With decades of

experience in vinyl and a rigorous quality control program with third-party auditing through the VMA, you can be assured that Homeland Vinyl Products is committed to providing the very best vinyl products the industry has to offer. With vinyl products from Homeland, you get the quality you expect, and options you could only imagine.



Not all Vinyl Is Created Equal!

Homeland® manufactures the toughest PVC profiles with the most advanced UV protection under the sun, our ACCU-Shield® formulation. ACCU-Shield is our protective outer layer

engineered to significantly reduce oxidation and the damaging effects of the sun's ultraviolet rays. Even in harsh climates, ACCU-Shield protects the color and sheen of our products for a longer period of time. Simply put, there is no better protection under the sun than ACCU-Shield.



Homeland's® Natural Selection of Colors

Inspired By Nature, Engineered By Homeland!

Homewood® is Homeland® Vinyl's exclusive blend of colors that can redefine a simple backyard into a beautiful oasis. Our vast pallet of pleasing colors with random variegated patterns are inspired by nature and engineered by Homeland. This unique blend more closely emulates the natural look of wood and will complement any building exterior. Eliminate the exhausting upkeep and usual limitations of wood

with a freshly painted appearance that lasts for years.

Available in Homeland's Fence, Deck, and Rail profiles. Mix and match from our Homewood collection to bring a unique style and taste to any backyard paradise.

Our Homewood blends are richer in color and more natural in look than other vinyl offerings.



Declaration of Principles Fence, Deck, and Rail Business

Homeland Vinyl Products, Inc. is committed to the highest standards of quality in its Fence, Deck, and Rail business - both in the products it manufactures and the manner in which its business is conducted. Since Homeland's success is directly linked to the success of its customers, Homeland pledges to develop, fabricate and market innovative and successful vinyl fence, deck, and rail products.

Our commitment to our customers has three major components:

Product Quality

**Innovation and Leadership
Customer Service and Support**

Through quality, innovation, and an unwavering commitment to customer satisfaction, Homeland Vinyl Products, Inc. is building a secure and prosperous future for itself and its customers.

MADE TO ORDER “MTO” PROGRAM

Any profiles that are indicated as “Made To Order” in our profile sheets are not standard items and will only be produced as can be reasonably accommodated. Additionally, requests for non-standard lengths or special colors must be submitted through the “Made to Order” (MTO) program. Typical requirements for MTO requests are listed below but are subject to change and are not binding.

MTO Classification

- I. **Special Lengths:**
*Typically 8 bundle minimum of 72” or longer at one length and color if order held until normal cycled production run.
 Typically 12 bundle minimum at one length and color for items less than 72” if order held until normal cycled production run.
 Larger quantities required for out of cycle production.
 No stock.*

- II. **Special Color of Standard Stock Profile:**
*Typically 12 bundle minimum at one length and color if order held until normal cycled production run.
 One run in Winter for ALL of the next season.
 No stock.*

- III. **Proprietary and Exclusivity Profiles::**
*By special arrangement and typically run no more than once or twice a year.
 Dependent upon volume orders. Truckload quantities shipped complete once made.
 No stock.*

- IV. **Special and Low Volume Profiles:**
*Typically run once or twice a year.
 Standard lengths and colors only.*

Contact your Homeland representative for information on the MTO program. MTO item requests must be submitted in writing via e-mail or fax. Not all requests can be accommodated.

Customer Account must be in good standing and current before MTO requests will be considered. MTO requests are not accepted until approved and confirmed in writing. Special Terms and Conditions of Sale apply to all MTO requests accepted as orders. Once confirmed, the order cannot be canceled by customer. Orders must ship complete once ready, leaving no back-orders. Your Homeland Representative will try to accommodate reasonable requests, but completed MTO orders may be invoiced and shipped at the discretion of Homeland and will not be held. Consult your Homeland representative for additional details.

Minimum purchase quantity required of the same profile and color for all MTO items. Requirements vary. See the attached profile sheets or contact your Homeland representative for additional details.

Lead-times for “Made To Order” items cannot be estimated until requests have been approved and confirmed. Due to the infrequent running of MTO items, and depending on the item, it may be a number of weeks before an answer on an MTO request can be given. “Made To Order” items may only be produced a very limited number of times per year. Please plan ahead and make any MTO requests as early as possible to take advantage of each production run on MTO profiles.

Details and requirements of this program are subject to change without notice.

FABRICATION GUIDELINES

Homeland Vinyl Products does not warranty bowing of pickets. Please make sure of proper installation to reduce all of the factors mentioned.

- *Follow proper installation instructions.*
- *Product expansion and contraction is normal and temperature dependent. The overall variance is greater with longer lengths and darker colors. Please take this into account during installation.*
- *We recommend metal stiffeners in all rails for the Homewood series of product.*
- *Make sure that the metal stiffener is in the correct orientation.*
- *Make sure all rails are notched.*
- *Make sure rail ends have at least 1 inch clearance of each other when inserted into posts for 6' lengths, and at least a 1 1/2 inch clearance into posts on 8' length rails. This will allow for adequate expansion and contraction of rails within the posts and prevent bow.*
- *We recommend attaching the U channel trim to the post to help stabilize T&G boards.*
- *Do not use any clear wrapping or shrink wrap on fence for storage or transportation. Make sure any wrap or protection of the fence or profiles does not absorb and retain heat. It will cause warping.*
- *We recommend the use of a mid-rail to reduce T&G bowing, especially on darker colors.*
- *Do not store or install product next to a heat source.*
- *Be mindful of installing the product near reflective surfaces (E.G. glass windows and doors), which can concentrate sunlight and heat the product.*
- *Be mindful of installing the product on or adjacent to asphalt or similar materials that absorb heat.*
- *As with any other product, scratches will be more evident in darker colors. Use caution when transporting and installing the Homewood series of products.*
- *Do not put dirt or mulch against rails. It could cause rails to permanently bow out.*
- *CAUTION - when dealing with slopes, please make sure that T&G boards are cut to provide adequate clearance inside of the rail. If the T&G board cannot move against the rail, there can be excessive bowing during expansion and contraction. Make sure pickets are cut for adequate clearance.*

WAYMARK ACCESSORIES

COMPANY STATEMENT

Waymark Products, LLC is dedicated to delivering high quality products and excellent service to our customers without exception. We understand the importance of our customers' success in the Fence, Deck, Railing and Outdoor Living Products markets. We value our relationships with our customers and pledge that we will operate at the highest level of integrity.

CUSTOMER ACCOUNTS

All customers are required to complete an Application for Trade Account and update it periodically. This application requires the signature of a Corporate Officer, Managing Member, Partner or Owner. Waymark Products LLC only sells wholesale. Customers are required to provide a copy of their company's sales tax exemption certificate or resale certificate before any sale can be initiated. Customers are further required to provide Waymark Products LLC updated sales tax exemption or resale certificates upon expiration of the initial certificate provided. Standard terms are payment in full by electronic check, wire transfer, or credit card at time of shipment. Payments can be made at WaymarkProducts.com. Customers requesting credit terms must submit financial information. Credit terms are net 30 days subject to the approval of Waymark® based on financial data provided, credit checks, and payment history. Credit terms are subject to change. Customer accounts outside of agreed terms are subject to being placed On Hold with shipments held until the account is satisfied. Accounts not paid within terms will be charged interest at the rate of 1.5% per month. Prices are subject to change without notice.

PLACING ORDERS

All orders are subject to acceptance and approval. All orders must be submitted in writing by fax or email to Waymark Products, LLC. All product orders must be clearly identified by part number, color, detailed description, and quantity. Illegible orders will not be accepted. All orders will be confirmed in writing with the Terms and Conditions of Sale before acceptance. Confirmed orders cannot be canceled without authorization. Please contact a Waymark® Customer Service Representative for additional order information and requirements.

SHIPMENT OF ORDERS / DAMAGE OR SHORTAGES

Waymark® ships products from the factory and from distribution centers. Waymark reserves the right to ship its customers the products they ordered from any location. All prices are F.O.B. point of shipment. The customer is responsible for reviewing all order confirmations for the correct customer shipping address. Waymark strives to find the cheapest reliable shipping method for all orders. Waymark is not responsible for delays in delivery when caused by strikes, fires, accidents, Acts of God, or other forces outside of Waymark's control. Please contact a Waymark Customer Service Representative for your specific needs and additional shipping information.

All shipments received should be immediately inspected by the customer. All dents, tears, breakages, or other visible damage to both packaging materials and products should be noted on the shipping documents with a copy given to the freight carrier and a copy sent to Waymark. Damages or lost product due to shipping must be reported and claimed from the freight carrier. All claims of material shortages or damaged goods must be made within 48 hours of customer's receipt of products.

RETURNED GOODS POLICY

All returns of products must have the prior written approval of an authorized representative of Waymark®, must be for justifiable reasons such, and must be within 60 days of receipt of product. Customers requesting to return products must submit in writing in advance of return a detailed list of the materials to be returned, date of purchase, invoice number, and reason for return. Custom and special order items will not be accepted for return. Do not return any items without a return authorization. All returned material must be shipped to our TN location freight prepaid and include a list of the products returned and a copy of the Waymark return authorization. Returned products must be received by Waymark in same packaging and condition as originally sent and are subject to our Warehouse Manager's count and inspection. **Any credits issued for approved returns will be based on the invoice price of the returned products at time of purchase by customer less a restocking charge of 20%.**

LIMITED WARRANTY

Waymark® warrants that the products we manufacture are free of defects in materials and workmanship. Products distributed by Waymark, but not manufactured by Waymark, are covered under the original manufacturer's warranty. Please contact a Waymark Customer Service Representative for specific information on the warranty of the Waymark products you wish to purchase. Additional warranty information is detailed in the Terms and Conditions on the back of each invoice.

TERMS AND CONDITIONS OF SALE ARE SPECIFIED WITH ORDER CONFIRMATION AND DETAILED ON THE FRONT AND BACK OF EVERY INVOICE.

**Quick Tip: Understanding our Accessory part numbers**

Each item number is designated by class, dimensions, part description and color. For example: our 5" Pyramid cap in white (C55PYRAW) is broken out as follows:

Class: Cap Dimension: 5" x 5" Description: Pyramid Color: White

C | **55** | **PYRA** | **W**

Here is another example of our 7/8" x 3" Dog Ear picket cap in adobe (P783DEA):

Class: Picket Cap Dimension: 7/8" x 3" Description: Dog Ear Color: Adobe

P | **783** | **DE** | **A**

& MATCH • PERFECT FIT & MATCH • PERFECT FIT & MATCH • PERFECT
PERFECT FIT & MATCH • PERFECT FIT & MATCH • PERFECT FIT & MATCH
MATCH • PERFECT FIT & MATCH • PERFECT FIT & MATCH • PERFECT FIT
FIT & MATCH • PERFECT FIT & MATCH • PERFECT FIT & MATCH • PE
FIT & MATCH • PERFECT FIT & MATCH • PERFECT FIT & MATCH • PE
PERFECT FIT & MATCH • PERFECT FIT & MATCH • PERFECT FIT & MATCH
MATCH • PERFECT FIT & MATCH • PERFECT FIT & MATCH • PERFECT FIT

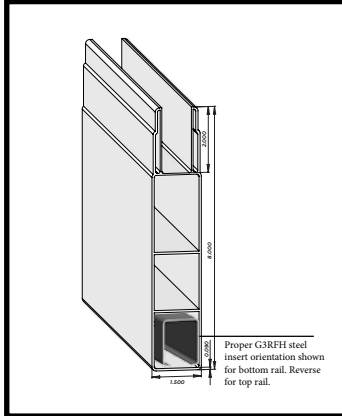


FENCE

PROFILES & ACCESSORIES



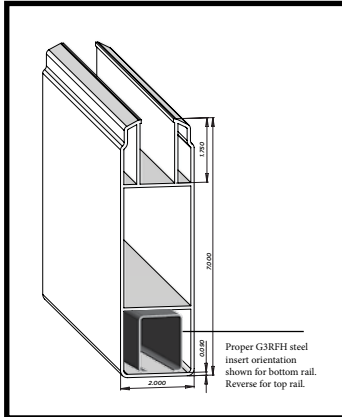
PRIVACY FENCE POCKET RAIL



1-1/2" X 8" GORILLA® POCKET RAIL

F3P1
1-1/2" x 8" Gorilla® Pocket Rail
(7/8" x 2" Pocket)
Pcs/Pallet: 72
AL - NA
NJ - NA
UT - 71-1/2", 76", 83", 16'

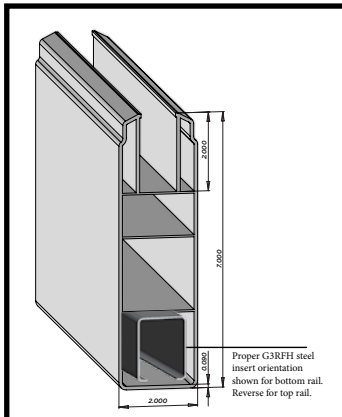
W=White, T=Tan, D=Adobe



2" X 7" KEYSTONE WEST POCKET RAIL

FKW7
2"x 7" Keystone West Pocket Rail
(7/8" x 1 3/4" Pocket)
Pcs/Pallet: 66
AL - NA
NJ - NA
UT - 94", 16'

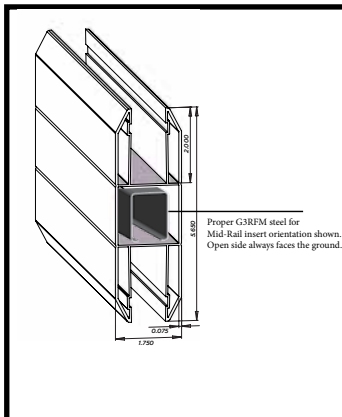
W=White, T=Tan, D=Adobe, Y=Honey Maple



2" X 7" KEYSTONE EAST POCKET RAIL

FKE7
2"x 7" Keystone East Pocket Rail
(7/8" x 2" Pocket)
Pcs/Pallet: 66
AL - 94", 16'
NJ - NA
UT - NA

W=White, T=Tan, D=Adobe



1-3/4" X 5-1/2" NEXUS® MID-RAIL

P20

F3PM
1-3/4" x 5-1/2" Nexus® Mid-Rail
(7/8" x 2" Pocket)
Pcs/Pallet: 98
AL - 94", 16'
NJ - NA
UT - 71-1/2", 16'

Note: 16' Insert Required Separately

W=White, T=Tan, D=Adobe

HOMEWOOD OPTION

F3PM
Pcs/Pallet: 98
AL - 94" w/ Steel Inserted,
16' (Insert Required Separately)
NJ - NA
UT - 71-1/2" w/ Steel Inserted,
16' (Insert Required Separately)

O=Mocha Walnut, Y=Honey Maple, G=Earl Gray, U=Green Teak

Availability, specification and profile dimensions are subject to change without notice. Check with manufacturer before ordering.
 All dimensions are subject to manufacturer's tolerances. Nexus® is a registered trademark of Homeland Vinyl Products, Inc.
 Gorilla® is a registered trademark of Homeland Vinyl Products, Inc. **Only runs once or twice yearly.

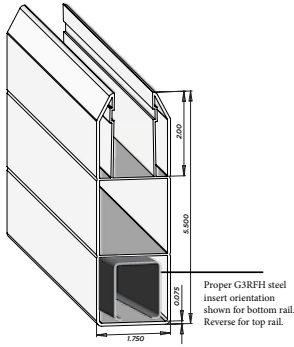
HOMELAND VINYL PRODUCTS, Inc.

17-097-M1135

Homeland Profiles: 800.999.6813 | www.Homelandvinyl.com | Waymark Accessories: 877-652-6118

**PRIVACY FENCE
POCKET RAIL**

1-3/4" X 5-1/2" NEXUS® POCKET RAIL



Proper G3RFH steel insert orientation shown for bottom rail. Reverse for top rail.

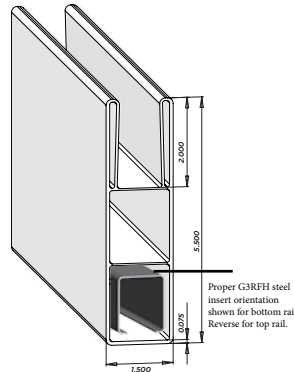
W=White, T=Tan, D=Adobe

HOMEWOOD OPTION

F3P5
Pcs/Pallet: 98
AL - 94" w/ Steel Inserted, 16' (Insert Required Separately)
NJ - NA
UT - NA
O=Mocha Walnut, Y=Honey Maple, G=Earl Gray, U=Green Teak

1-1/2" X 5-1/2" GORILLA® POCKET RAIL

P20



Proper G3RFH steel insert orientation shown for bottom rail. Reverse for top rail.

F32G
1-1/2" x 5-1/2" Gorilla® Pocket Rail (7/8" x 2" Pocket)
Pcs/Pallet: 114
AL - 71-1/2", 94", 16'
NJ - 71-1/2", 94", 16'
UT - 71-1/2", 94", 16'

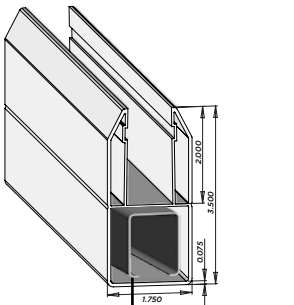
Note: 16' Insert Required Separately

W=White, T=Tan, D=Adobe

HOMEWOOD OPTION

F32G
Pcs/Pallet: 114
AL - 94" w/ Steel Inserted, 16' (Insert Required Separately)
NJ - NA
UT - 71-1/2" w/ Steel Inserted, 16' (Insert Required Separately)
O=Mocha Walnut, Y=Honey Maple, G=Earl Gray, U=Green Teak

1-3/4" X 3-1/2" NEXUS® POCKET RAIL



Proper G3RFH steel insert orientation shown for bottom rail. Reverse for top rail.

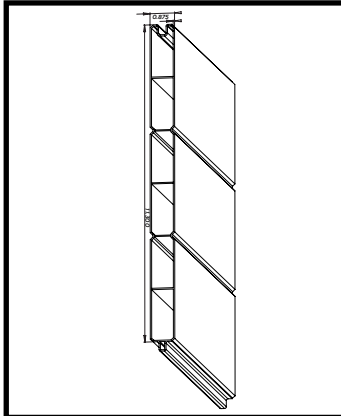
F3P3
1-3/4" x 3-1/2" Nexus® Pocket Rail (7/8" x 2" Pocket)
Pcs/Pallet: 146
AL - MTO **
NJ - NA
UT - NA

W=White, T=Tan, D=Adobe

Availability, specification and profile dimensions are subject to change without notice. Check with manufacturer before ordering. All dimensions are subject to manufacturer's tolerances. **Only runs once or twice yearly.

Gorilla® is a registered trademark of Homeland Vinyl Products, Inc. Nexus® is a registered trademark of Homeland Vinyl Products, Inc.

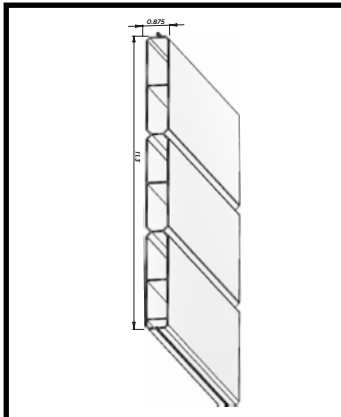
**PRIVACY FENCE
PRIVACY PICKETS**



7/8" X 11.3" GORILLA® T&G

F61S
7/8" x 11.3" Gorilla® T&G
Pcs/Pallet: 100
AL - NA
NJ - NA
UT - 55-1/4", 60-1/4", 62-1/4", 64",
16' (100 Pcs/Pallet)

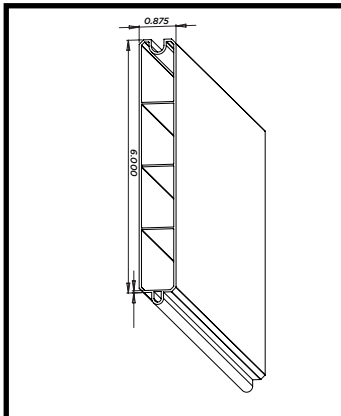
W=White, T=Tan, D=Adobe.



7/8" X 11.3" GORILLA® LOCKING PICKET

F61L
7/8" x 11.3" Gorilla® Locking Picket
Pcs/Pallet: 100
AL - NA
NJ - NA
UT - 62-1/4", 16' **

W=White, T=Tan, D=Adobe



7/8" X 6" GORILLA® T&G

P19

F54G
7/8" x 6" Gorilla® T&G
Pcs/Pallet: 178 (16'),
Shorter Lengths, 346
AL - 48", 52", 60", 61", 62-1/4",
64", 16'
NJ - 48", 52", 57-1/2", 59-1/2",
60", 61",
62-1/4", 64", 16'
UT - 47-1/4", 59-1/4", 60-1/4",
62-1/4", 16'

10% Surcharge to any MTO lengths not listed.

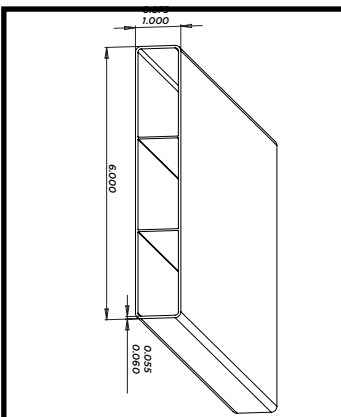
W=White, T=Tan, D=Adobe

HOMEWOOD OPTION

F54C
7/8" x 6" Homewood®
T&G
Pcs/Pallet: 178 (16')

AL - 16'
NJ - NA
UT - 16'

O=Mocha Walnut, Y=Honey Maple,
 Q=Earl Gray, U=Green Teak



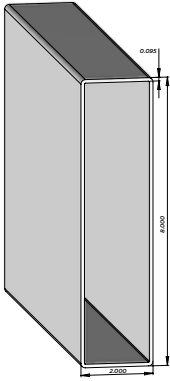
7/8" X 6" RIBBED STANDARD

F56R (0.055 wall)
7/8" x 6" Ribbed Standard
Pcs/Pallet: 178
AL - 16'
NJ - 16'
UT - 16'

W=White, T=Tan, D=Adobe

Availability, specification and profile dimensions are subject to change without notice. Check with manufacturer before ordering.
 All dimensions are subject to manufacturer's tolerances. **Only runs once or twice yearly.
 Gorilla® is a registered trademark of Homeland Vinyl Products, Inc.

FENCE RAILS

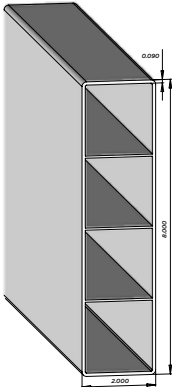


2" X 8" HOLLOW RAIL

F20S
(0.095 wall)

2" X 8" Hollow Rail
Pcs/Pallet: 66
AL - 16', 24'
NJ - NA
UT - 16', 24'

W=White, T=Tan, D=Adobe

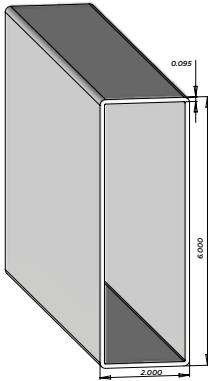


2" X 8" RIBBED RAIL

F20R
(0.090 wall)

2"x8" Ribbed Rail
Pcs/Pallet: 66
AL - 16', 24' **
NJ - NA
UT - NA

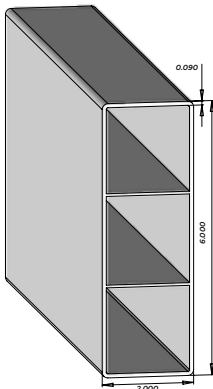
W=White, T=Tan, D=Adobe



2" X 6" HOLLOW RAIL

F22E
(0.095 wall)
2"x6" Hollow Rail
Pcs/Pallet: 88
AL - 16', 24'
NJ - NA
UT - 16', 24'

W=White, T=Tan, D=Adobe



2" X 6" RIBBED RAIL

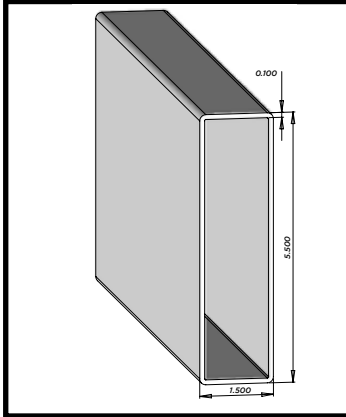
F22C
(0.090 wall)

2"x6" Ribbed Rail
Pcs/Pallet: 88
AL - 94", 12', 16'
NJ - NA
UT - 12', 16'

W=White, T=Tan, D=Adobe

Availability, specification and profile dimensions are subject to change without notice. Check with manufacturer before ordering.
All dimensions are subject to manufacturer's tolerances.
**Only runs once or twice yearly.

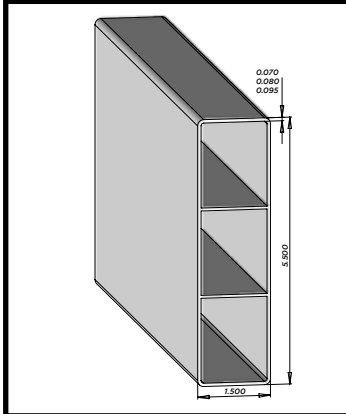
FENCE RAILS



1-1/2" X 5-1/2" HOLLOW RAIL

F27S
 (0.100 wall)
 1-1/2" x 5-1/2" Hollow Rail
 Pcs/Pallet: 114
AL - MTO **
 NJ - NA
 UT - NA

W=White, T=Tan, D=Adobe



1-1/2" X 5-1/2" RIBBED RAIL (UTILITY & UTILITY VALUE)

F27C (0.095 Wall) 1-1/2" x 5-1/2" Ribbed Rail Pcs/Pallet: 114 AL - 16' ** NJ - NA UT - 16' **	F27E (0.080 Wall) 1-1/2" x 5-1/2" Ribbed Utility Rail Pcs/Pallet: 114 AL - 16' NJ - 16' * UT - 16'
F27M (0.070 Wall) 1-1/2" x 5-1/2" Utility Value Rail (Color Inside) Pcs/Pallet: 114 AL - 16' NJ - NA UT - 16'	

W=White, T=Tan, D=Adobe

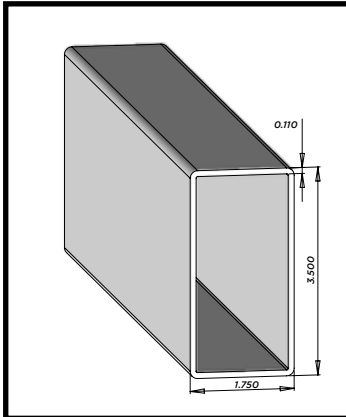
HOMWOOD OPTION

F27C
Pcs/Pallet: 114

AL - 16'
NJ - NA
UT - 16'

Steel insert required in each rail

O=Mocha Walnut, Y=Honey Maple,
Q=Earl Gray, U=Green Teak



1-3/4" X 3-1/2" HOLLOW STANDARD

F25B
 (0.110 wall)
 1-3/4" x 3-1/2" Hollow Standard Rail
 Pcs/Pallet: 156
AL - 16'
 NJ - NA
UT - 16'

W=White, T=Tan, D=Adobe

HOMWOOD OPTION

F25B
 (0.110 wall)
 Pcs/Pallet: 156

AL - 16'
 NJ - NA
UT - 16'

O=Mocha Walnut, Y=Honey Maple,
 Q=Earl Gray, U=Green Teak

Availability, specification and profile dimensions are subject to change without notice. Check with manufacturer before ordering.

All dimensions are subject to manufacturer's tolerances.

*Limited availability, Check with customer service.

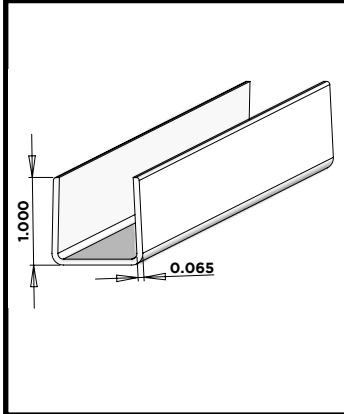
**Only runs once or twice yearly.

HOMELAND VINYL PRODUCTS, Inc.

17-097-M1135

Homeland Profiles: 800.999.6813 | www.Homelandvinyl.com | Waymark Accessories: 877-652-6118

FENCE / SPECIALTY PRODUCTS
RAILS, U-CHANNEL, TRIM CHANNEL



7/8" U-CHANNEL STANDARD

F83S
7/8" U-Channel Standard
Pcs/Box: 64 (10' 2")
(Shorter lengths
1280 Pcs/Pallet)
AL - 10'2", 60-7/8"
NJ - 10'2"
UT - 10'2"

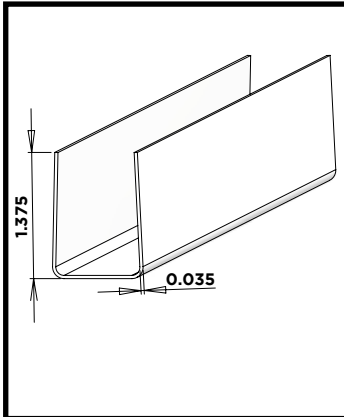
HOMEWOOD OPTION

F83S
Pcs/Pallet: 64

AL - 10'2"
NJ - NA
UT - 10'2"

O=Mocha Walnut, Y=Honey Maple,
Q=Earl Gray, U=Green Teak

W=White, T=Tan, D=Adobe



7/8" TRIM CHANNEL

F83U
7/8" Trim Channel
Pcs/Box: 60 (10' 2")
(Shorter lengths
840 Pcs/Pallet)
AL - 10'2", 58-3/4", 59-1/4", 60-7/8"
NJ - N/A
UT - 10'2", 52", 57", 58-3/4", 59"

W=White, T=Tan, D=Adobe

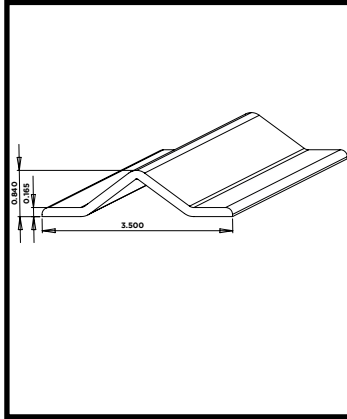
Availability, specification and profile dimensions are subject to change without notice. Check with manufacturer before ordering.

All dimensions are subject to manufacturer's tolerances.

**Only runs once or twice yearly.

SPECIALTY PRODUCTS

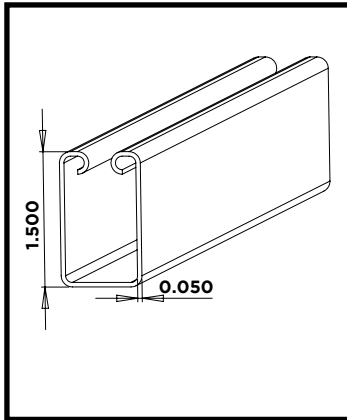
GATE BRACE, LATTICE CHANNEL



GATE SUPPORT BRACE

F86S
Gate Support Brace
Pcs/Bundle: 240
AL - 8', 12'
NJ - N/A
UT - N/A

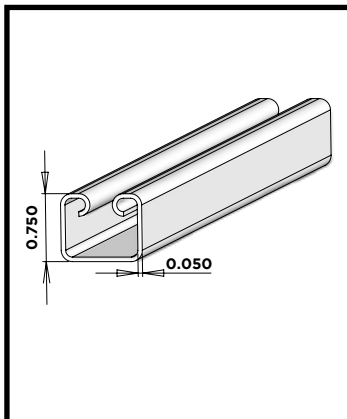
W=White, T=Tan, D=Adobe



1-1/2" LATTICE CHANNEL

F88S
1-1/2" Lattice Channel
Pcs/Box: 32
AL - 8'
NJ - N/A
UT - N/A

W=White, T=Tan, D=Adobe



3/4" LATTICE CHANNEL

F89S
3/4" Lattice Channel
Pcs/Box: 60
AL - 8'
NJ - N/A
UT - N/A

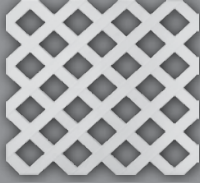
W=White, T=Tan, D=Adobe

Availability, specification and profile dimensions are subject to change without notice. Check with manufacturer before ordering.
 All dimensions are subject to manufacturer's tolerances.

VINYL LATTICE

Classic Lattice, Privacy Lattice, Pre-Cut Lattice

4' x 8' CLASSIC LATTICE



DIMENSIONS: 4' x 8'
OPENING: 2 3/4"

PART NUMBER: L4X8CLS + W, T, A
STOCK COLORS: WHITE, TAN, ADOBE

PALLET QTY: 60 WHITE, 30 IN COLORS
PALLET WEIGHT: 960 LBS. WHITE, 500 LBS. IN COLORS

4' x 8' PRIVACY LATTICE



DIMENSIONS: 4' x 8'
OPENING: 1 1/16"

PART NUMBER: L4X8PRV + W, T
STOCK COLORS: WHITE, TAN

PALLET QUANTITY: 30
PALLET WEIGHT: 530 LBS.

1' x 8' PRE-CUT CLASSIC LATTICE PALLET



DIMENSIONS: 1' x 8'
OPENING: 2 3/4"

PART NUMBER: LPRECUT + W, T, A
STOCK COLORS: WHITE, TAN, ADOBE

PALLET QTY: 240 WHITE, 120 IN COLORS
PALLET WEIGHT: 960 LBS. WHITE, 500 LBS. IN COLORS

1' x 8' PRE-CUT CLASSIC LATTICE BOXED



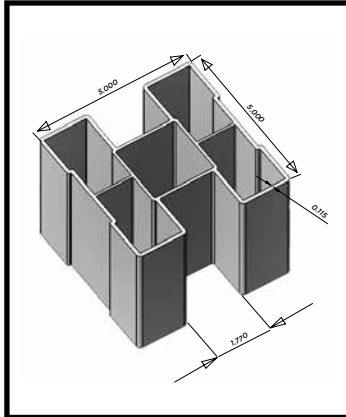
DIMENSIONS: 1' x 8'
OPENING: 2 3/4"

PART NUMBER: LCUTBOX + W, T, A
STOCK COLORS: WHITE, TAN, ADOBE

BOX QTY: 16
BOX WEIGHT: 65 LBS.

Availability, specification and profile dimensions are subject to change without notice. Check with manufacturer before ordering.
All dimensions are subject to manufacturer's tolerances. Waymark is a registered trademark of Waymark Products, LLC.

PRIVACY FENCE GORILLA® FENCE

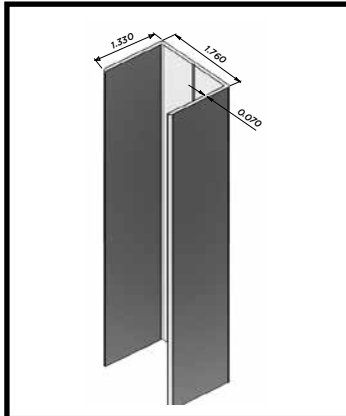


5" X 5" GORILLA® H-POST

FTG1
5" x 5" Gorilla®
H-Post

AL - 9', 10' **
NJ - NA
UT - NA

U=Green Teak, W=White, T=Tan, D=Adobe

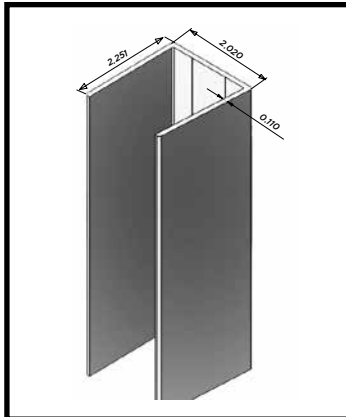


1-1/2" GORILLA® POST INSERT

FTG2
1-1/2 Gorilla®
Post Insert

AL - 8' **
NJ - NA
UT - NA

U=Green Teak, W=White, T=Tan, D=Adobe

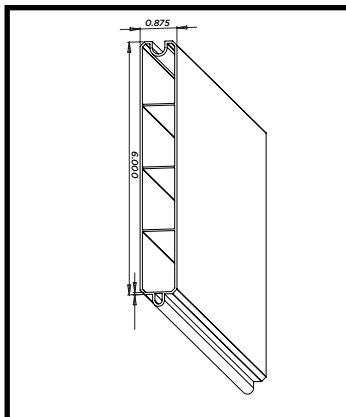


1-3/4" GORILLA® FENCE U-CHANNEL

FTG3
1-3/4 Gorilla®
Fence U-Channel

AL - 8' **
NJ - NA
UT - NA

U=Green Teak, W=White, T=Tan, D=Adobe



7/8" X 6" GORILLA® T&G

P13

F54G
7/8" x 6" Gorilla® T&G
Pcs/Pallet: 178 (16'),
Shorter Lengths, 346
AL - 48", 52", 60", 61", 62-1/4",
64", 16'
NJ - 48", 52", 57-1/2", 59-1/2",
60", 61",
62-1/4", 64", 16'
UT - 47-1/4", 59-1/4", 60-1/4",
62-1/4", 16'

10% Surcharge to any MTO lengths not listed.
W=White, T=Tan, D=Adobe

HOMEWOOD OPTION

F54C
7/8" x 6" Homewood®
T&G
Pcs/Pallet: 178 (16')

AL - 16'
NJ - NA
UT - 16'

O=Mocha Walnut, Y=Honey Maple,
Q=Earl Gray, U=Green Teak

Availability, specification and profile dimensions are subject to change without notice. Check with manufacturer before ordering.
All dimensions are subject to manufacturer's tolerances. **Only runs once or twice yearly.

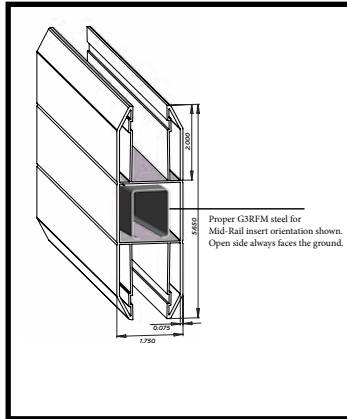
Gorilla® is a registered trademark of Homeland Vinyl Products, Inc.

HOMELAND VINYL PRODUCTS, Inc.

17-097-M1135

Homeland Profiles: 800.999.6813 | www.Homelandvinyl.com | Waymark Accessories: 877-652-6118

**PRIVACY FENCE
GORILLA® FENCE**



1-3/4" X 5-1/2" NEXUS® MID-RAIL

P11

F3PM
1-3/4" x 5-1/2" Nexus® Mid-Rail
(7/8" x 2" Pocket)
Pcs/Pallet: 98
AL - 94", 16'
NJ - NA
UT - 71-1/2", 16'

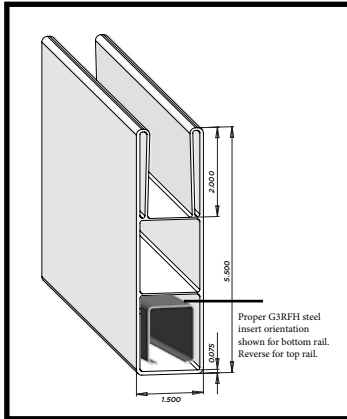
Note: 16' Insert Required Separately

W=White, T=Tan, D=Adobe

HOMEWOOD OPTION

F3PM
Pcs/Pallet: 98
AL - 94" w/ Steel Inserted,
16' (Insert Required
Separately)
NJ - NA
UT - 71-1/2" w/ Steel Inserted,
16' (Insert Required
Separately)

O=Mocha Walnut, Y=Honey Maple,
 G=Earl Gray, U=Green Teak



1-1/2" X 5-1/2" GORILLA® POCKET RAIL

P12

F32G
1-1/2" x 5-1/2" Gorilla® Pocket Rail
(7/8" x 2" Pocket)
Pcs/Pallet: 114
AL - 71-1/2", 94", 16'
NJ - 71-1/2", 94", 16'
UT - 71-1/2", 94", 16'

Note: 16' Insert Required Separately

W=White, T=Tan, D=Adobe

HOMEWOOD OPTION

F32G
Pcs/Pallet: 114
AL - 94" w/ Steel Inserted,
16' (Insert Required
Separately)
NJ - NA
UT - 71-1/2" w/ Steel Inserted,
16' (Insert Required
Separately)

O=Mocha Walnut, Y=Honey Maple,
 G=Earl Gray, U=Green Teak

Availability, specification and profile dimensions are subject to change without notice. Check with manufacturer before ordering.
 All dimensions are subject to manufacturer's tolerances. **Only runs once or twice yearly.

Gorilla® is a registered trademark of Homeland Vinyl Products, Inc. Nexus® is a registered trademark of Homeland Vinyl Products, Inc.


17-097-M1135


HOMELAND VINYL PRODUCTS, Inc.


Homeland Profiles: 800.999.6813 | www.Homelandvinyl.com | Waymark Accessories: 877-652-6118


END CAPS, HOLE PLUGS, GATE POCKETS


End Caps, Hole Plugs

2" x 3 1/2" INTERNAL END CAP		
	DIMENSIONS: 2" x 3 1/2"	PART NUMBER: EC235 + W, T, A STOCK COLORS: WHITE, TAN, ADOBE
	BOX QTY: 200 BOX WEIGHT: 9 LBS.	FITS WALL THICKNESS OF .090-.110 SURFACE FACE IS FLAT

2" x 3 1/2" EXTERNAL END CAP		
	DIMENSIONS: 2" x 3 1/2" CAP LIP: 9/16" H	PART NUMBER: EEC235 + W, T, A, MW, HM, EG, GT STOCK COLORS: WHITE, TAN, ADOBE, MOCHA WALNUT, HONEY MAPLE, EARL GRAY, GREEN TEAK
	BOX QTY: 100 BOX WEIGHT: 6 LBS.	SLIGHT PYRAMID SHAPE ON SURFACE FACE

1 1/2" x 5 1/2" INTERNAL END CAP		
	DIMENSIONS: 1 1/2" x 5 1/2"	PART NUMBER: EC1555 + W, T, A STOCK COLORS: WHITE, TAN, ADOBE
	BOX QTY: 125 BOX WEIGHT: 7.5 LBS.	FITS WALL THICKNESS OF .090-.110 SURFACE FACE IS FLAT


2" x 6" INTERNAL END CAP		
	DIMENSIONS: 2" x 6"	PART NUMBER: EC260 + W, T, A STOCK COLORS: WHITE, TAN, ADOBE
	BOX QTY: 100 BOX WEIGHT: 8 LBS.	FITS WALL THICKNESS OF .090-.110 SURFACE FACE IS FLAT


2" x 6" EXTERNAL END CAP		
	DIMENSIONS: 2" x 6" CAP LIP: 9/16" H	PART NUMBER: EEC260 + W, T, A, MW, HM, EG, GT STOCK COLORS: WHITE, TAN, ADOBE, MOCHA WALNUT, HONEY MAPLE, EARL GRAY, GREEN TEAK
	BOX QTY: 100 BOX WEIGHT: 9.5 LBS.	SLIGHT PYRAMID SHAPE ON SURFACE FACE


Availability, specification and profile dimensions are subject to change without notice. Check with manufacturer before ordering.
Waymark is a registered trademark of Waymark Products, LLC.


END CAPS, HOLE PLUGS, GATE POCKETS


Hole Plugs, Gate Pockets


5/8" HOLE PLUG		
	<p>DIAMETER: 5/8"</p> <p>BOX QTY: 500 BOX WEIGHT: 2 LBS.</p>	<p>PART NUMBER: HP5/8 + W, T, A, BK, MW, HM, EG, GT</p> <p>STOCK COLORS: WHITE, TAN, ADOBE, BLACK, MOCHA WALNUT, HONEY MAPLE, EARL GRAY, GREEN TEAK</p> <p>FLAT WITH TAPERED EDGE PROVIDES A FINISHED LOOK. MATTE FINISH PVC PLUG.</p>

1 1/4" HOLE PLUG		
	<p>DIAMETER: 1 1/4"</p> <p>BOX QTY: 200 BOX WEIGHT: 2 LBS.</p>	<p>PART NUMBER: HP125 + W, T, A, BK, MW, HM, EG, GT</p> <p>STOCK COLORS: WHITE, TAN, ADOBE, BLACK, MOCHA WALNUT, HONEY MAPLE, EARL GRAY, GREEN TEAK</p> <p>FLAT WITH TAPERED EDGE PROVIDES A FINISHED LOOK. MATTE FINISH PVC PLUG.</p>

1 1/2" x 5 1/2" DECORATIVE HOLE PLUG		
	<p>DIMENSIONS: 3" x 7 3/8"</p> <p>BOX QTY: 36 BOX WEIGHT: 4.5 LBS.</p>	<p>PART NUMBER: HP1555 + W, T, A</p> <p>STOCK COLORS: WHITE, TAN, ADOBE</p> <p>CAN COVER UP TO 2" W x 7" H ROUTED HOLE.</p>

2 1/8" x 2 3/4" GATE POCKET		
	<p>DIMENSIONS: 2 1/8" x 2 3/4" x 4"</p> <p>BOX QTY: 42 BOX WEIGHT: 10 LBS.</p>	<p>PART NUMBER: GP218X234 + W, T, A</p> <p>STOCK COLORS: WHITE, TAN, ADOBE</p>

1 3/4" x 3 1/2" GATE POCKET		
	<p>DIMENSIONS: 1 3/4" x 3 1/2" x 4"</p> <p>BOX QTY: 48 BOX WEIGHT: 18 LBS.</p>	<p>PART NUMBER: GP17535X4 + W, T, A, MW, HM, EG, GT</p> <p>STOCK COLORS: WHITE, TAN, ADOBE, MOCHA WALNUT, HONEY MAPLE, EARL GRAY, GREEN TEAK</p>

2" x 3 1/2" GATE POCKET		
	<p>DIMENSIONS: 2" x 3 1/2" x 4"</p> <p>BOX QTY: 48 BOX WEIGHT: 22 LBS.</p>	<p>PART NUMBER: GP235X4 + W, T, A</p> <p>STOCK COLORS: WHITE, TAN, ADOBE</p>

Availability, specification and profile dimensions are subject to change without notice. Check with manufacturer before ordering.
Waymark is a registered trademark of Waymark Products, LLC.

END CAPS, HOLE PLUGS, GATE POCKETS

Gate Pockets

1 3/4" x 5 1/2" DECO GATE POCKET



DIMENSIONS: 1 3/4" x 5 1/2" x 4"

PART NUMBER: GP17555X4 + W, T, A,
MW, HM, EG, GT
STOCK COLORS: WHITE, TAN, ADOBE, MOCHA WALNUT,
HONEY MAPLE, EARL GRAY, GREEN TEAK

BOX QTY: 36
BOX WEIGHT: 17 LBS.

1 1/2" x 5 1/2" GATE POCKET



DIMENSIONS: 1 1/2" x 5 1/2" x 4"

PART NUMBER: GP1555X4 + W, T, A, MW
STOCK COLORS: WHITE, TAN, ADOBE, MOCHA WALNUT

BOX QTY: 40
BOX WEIGHT: 15 LBS.

2" x 6" GATE POCKET



DIMENSIONS: 2" x 6" x 4"

PART NUMBER: GP26X4 + W, T, A, MW,
STOCK COLORS: WHITE, TAN, ADOBE, MOCHA WALNUT

BOX QTY: 28
BOX WEIGHT: 18 LBS.

2" x 7" GATE POCKET



DIMENSIONS: 2" x 7" x 4"

PART NUMBER: GP27X4 + W, T, A,
MW, HM, EG, GT
STOCK COLORS: WHITE, TAN, ADOBE, MOCHA WALNUT,
HONEY MAPLE, EARL GRAY, GREEN TEAK

BOX QTY: 24
BOX WEIGHT: 15 LBS.

Availability, specification and profile dimensions are subject to change without notice. Check with manufacturer before ordering.
Waymark is a registered trademark of Waymark Products, LLC.

END CAPS, HOLE PLUGS, GATE POCKETS

Rail Mounts

1-1/2" x 5-1/2" INTERNAL RAIL MOUNT



DIMENSIONS: 1-1/2" x 5-1/2"

PART NUMBER: RM1555 + W, T, A
STOCK COLORS: WHITE, TAN, ADOBE

BOX QTY: 64
BOX WEIGHT: 9 LBS.

1-3/4" x 5-1/2" INTERNAL RAIL MOUNT



DIMENSIONS: 1-3/4" x 5-1/2"

PART NUMBER: RM17555 + W,T,A, MW
STOCK COLORS: WHITE, TAN, ADOBE, MOCHA WALNUT

BOX QTY: 64
BOX WEIGHT: 10 LBS.

2" x 3-1/2" INTERNAL RAIL MOUNT



DIMENSIONS: 2" x 3-1/2"

PART NUMBER: RM235 + W, T, A, MW
STOCK COLORS: WHITE, TAN, ADOBE, MOCHA WALNUT

BOX QTY: 78
BOX WEIGHT: 9 LBS.

2" x 6" INTERNAL RAIL MOUNT



DIMENSIONS: 2" x 6"

PART NUMBER: RM260 + W, T, A
STOCK COLORS: WHITE, TAN, ADOBE

BOX QTY: 64
BOX WEIGHT: 11 LBS.

ADJUSTABLE EXTERNAL RAIL MOUNT WITH SCREWS



As Shipped

Assembled

DIMENSIONS:
1-1/2" TO 2" WIDE AND
5-1/2" TO 7" TALL

BOX QTY: 36 BOX
WEIGHT: 12 LBS.

PART NUMBER: RMEADJ + W, T, A,
MW, HM, EG, GT
STOCK COLORS: WHITE, TAN, ADOBE, MOCHA WALNUT,
HONEY MAPLE, EARL GRAY, GREEN TEAK

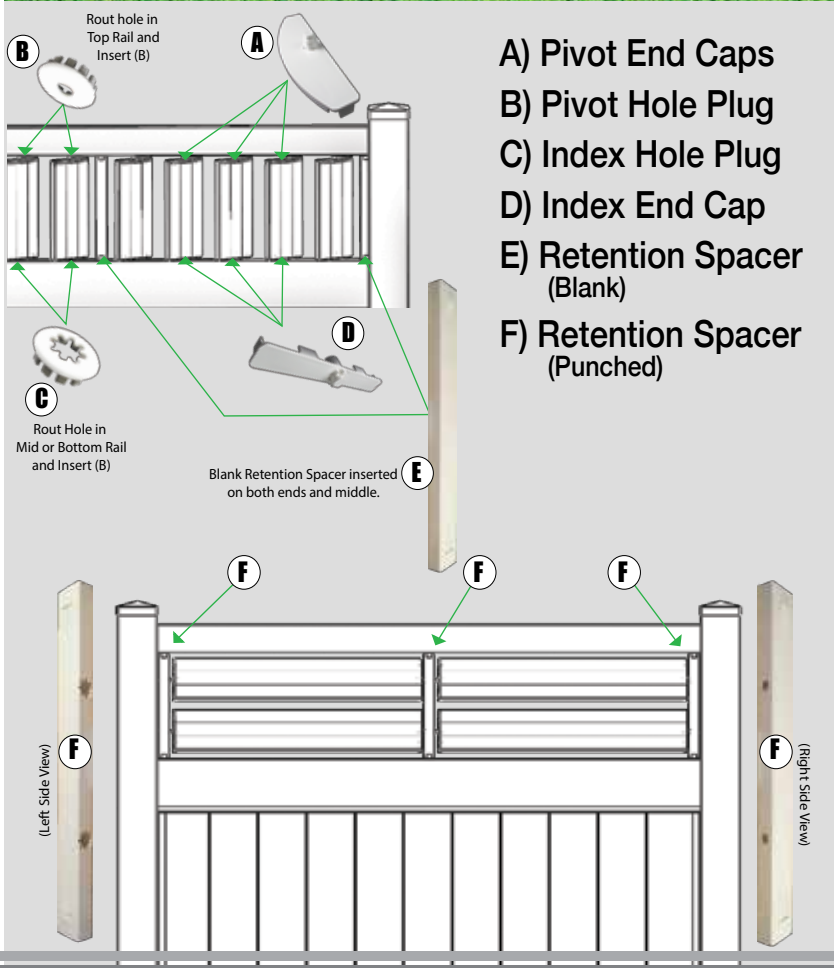
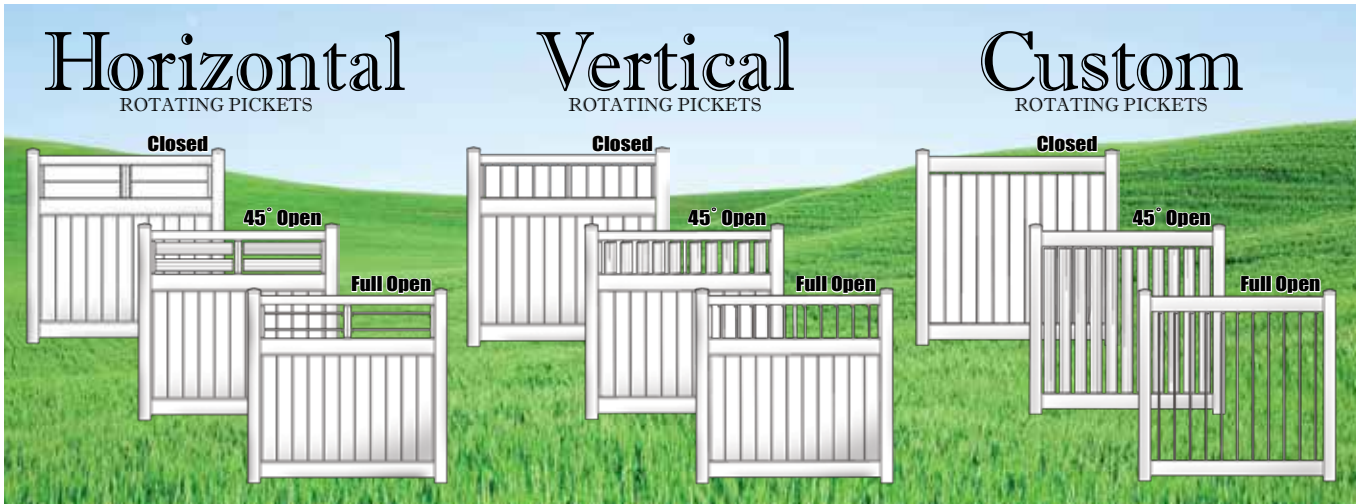
ADJUSTS TO 1-1/2" , 1-3/4" OR 2" WIDE. TRIM COVERS HIDE FASTENERS. SET INCLUDES 12 STAINLESS STEEL SCREWS.

Availability, specification and profile dimensions are subject to change without notice. Check with manufacturer before ordering.
Waymark is a registered trademark of Waymark Products, LLC.

FENCING WITH A TWIST

Lockable, Rotating Fence Pickets

ROTATING PICKETS



- A) Pivot End Caps
- B) Pivot Hole Plug
- C) Index Hole Plug
- D) Index End Cap
- E) Retention Spacer (Blank)
- F) Retention Spacer (Punched)

- With our special hole plugs, you can easily route any rail surface at least 1-1/2" wide to create a rotating picket Fence Accent.
- Picket lifts, rotates and locks in 3 different positions.
- Design offers benefits of both private (closed picket) and semi private (open picket) fencing adaptable to various viewing or privacy conditions.
- Readily adjusts to filter light, enhance security, regulate airflow, and more.

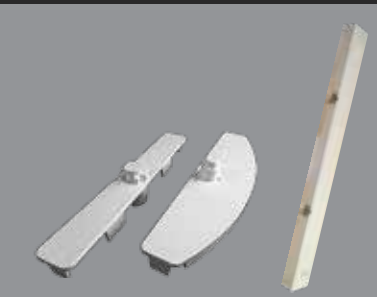


Availability, specification and profile dimensions are subject to change without notice. Check with manufacturer before ordering. Waymark is a registered trademark of Waymark Products, LLC.

FENCING WITH A TWIST


Lockable, Rotating Fence Pickets

HORIZONTAL ROTATING LOUVER KIT



DIMENSIONS: 6' TO 8' WIDE SECTION
KIT INCLUDES:
 (3) PUNCHED RETENTION SPACERS
 PIVOT PUNCH ON ONE SIDE / INDEX ON OPPOSITE SIDE
 (4) ROTATING END CAP PAIRS

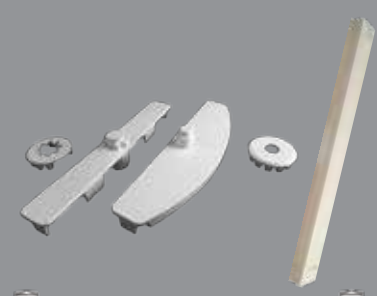
BOX QTY: 1 KIT
BOX WEIGHT: TBD



PART NUMBER: RP786HW
STOCK COLORS: WHITE


FITS INSIDE 12-1/2" EXPOSURE AS PRIVACY ACCENT.

VERTICAL ROTATING LOUVER KIT



DIMENSIONS: UP TO 8' WIDE SECTION
KIT INCLUDES:
 (3) BLANK RETENTION SPACERS
 (14) ROTATING END CAP PAIRS
 (14) PUNCHED HOLE PLUG PAIRS

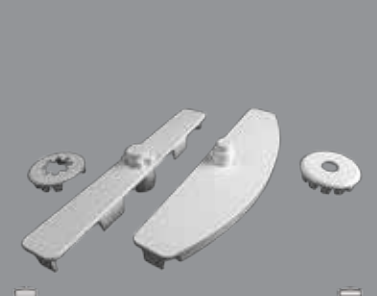
BOX QTY: 1 KIT
BOX WEIGHT: TBD



PART NUMBER: RP786VW
STOCK COLORS: WHITE

FITS INSIDE 12-1/2" EXPOSURE AS PRIVACY ACCENT.


CUSTOM ROTATING LOUVER KIT



DIMENSIONS: FOR CUSTOM APPLICATIONS
KIT INCLUDES:
 (1) ROTATING END CAP PAIR
 (1) PUNCHED HOLE PLUG PAIR

NOTE: Cut pickets not to exceed 42-1/2" in length.

BOX QTY: 50 SETS
BOX WEIGHT: TBD



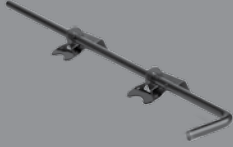
PART NUMBER: ECR786W
STOCK COLORS: WHITE

Availability, specification and profile dimensions are subject to change without notice. Check with manufacturer before ordering.
 Waymark is a registered trademark of Waymark Products, LLC.

GORILLA™ HARDWARE

Drop Rods, Corner Hinges, Self-Closing Corner Hinges

36" MILD STEEL DROP ROD



DIMENSIONS: 36" HEIGHT
DIAMETER: 1/2"

PART NUMBER: H36RODMS + W, B
STOCK COLORS: WHITE, BLACK

BOX QTY: 6
BOX WEIGHT: 14 LBS.

AVAILABLE JANUARY 2017

36" STAINLESS STEEL DROP ROD



DIMENSIONS: 36" HEIGHT
DIAMETER: 1/2"

PART NUMBER: H36RODSS + W, B
STOCK COLORS: WHITE, BLACK

BOX QTY: 6
BOX WEIGHT: 31 LBS.

MILD STEEL CORNER HINGE SET



DIMENSIONS: 3 1/2" x 3 7/16" H
LEG DIMENSIONS: 1 1/2"

PART NUMBER: HHNGMS + W, B
STOCK COLORS: WHITE, BLACK

BOX QTY: 12 SETS
BOX WEIGHT: 34 LBS.

STAINLESS STEEL CORNER HINGE SET



DIMENSIONS: 3 1/2" x 3 7/16" H
LEG DIMENSIONS: 1 1/2"

PART NUMBER: HHNGSS + W, B
STOCK COLORS: WHITE, BLACK

BOX QTY: 12 SETS
BOX WEIGHT: 37 LBS.

Availability, specification and profile dimensions are subject to change without notice. Check with manufacturer before ordering.
Gorilla™ is a trademark of Homeland Vinyl Products, Inc. Waymark is a registered trademark of Waymark Products, LLC.

GORILLA™ HARDWARE

Self-Closing Corner Hinges & U-Hinge Sets

CORNER HINGE HEX ADJUST SELF-CLOSING STAINLESS STEEL



DIMENSIONS:
 Post side: 3-1/4"W x 4"H, Leg is 1-1/4" x 4"H
 Gate Side: 3-1/16"W x 4"H, Leg is 1-1/4" x 4"H
BOX QTY: 12 SETS
BOX WEIGHT: 46 LBS.

PART NUMBER: HXSCSSB - BLACK
HXSCSSW - WHITE
STOCK COLORS: WHITE, BLACK
 EASILY ADJUSTABLE TENSION USING 3/8" ALLEN
 WRENCH INCLUDED 1-1/2" X 6-1/2"

2" U-HINGE HEX ADJUST SELF-CLOSING STAINLESS STEEL



DIMENSIONS:
 Post side: 3-1/4"W x 4" H,
 Leg is 1-1/2"W x 4"H
 U for Gate: 1-5/8" W x 2" D x 1-1/2"W x 4"H
BOX QTY: 12 SETS
BOX WEIGHT: 37 LBS.

PART NUMBER: H2UXSCSSB - BLACK
H2UXSCSSW - WHITE
STOCK COLORS: WHITE, BLACK
 EASILY ADJUSTABLE TENSION USING 3/8" ALLEN
 WRENCH INCLUDED 1-1/2" X 6-1/2"

CORNER HINGE HEX ADJUST SELF-CLOSING MILD STEEL



DIMENSIONS:
 Post side: 3-1/4"W x 4"H, Leg is 1-1/4" x 4"H
 Gate Side: 3-1/16"W x 4"H, Leg is 1-1/4" x 4"H
BOX QTY: 12 SETS
BOX WEIGHT: 46 LBS.

PART NUMBER: HXSCMSB - BLACK
HXSCMSW - WHITE
STOCK COLORS: WHITE, BLACK
 EASILY ADJUSTABLE TENSION USING 3/8" ALLEN
 WRENCH INCLUDED 1-1/2" X 6-1/2"

2" U-HINGE HEX ADJUST SELF-CLOSING MILD STEEL



DIMENSIONS:
 Post side: 3-1/4"W x 4" H,
 Leg is 1-1/2"W x 4"H
 U for Gate: 1-5/8" W x 2" D x 1-1/2"W x 4"H
BOX QTY: 12 SETS
BOX WEIGHT: 37 LBS.

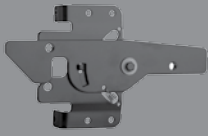
PART NUMBER: H2UXCMSB - BLACK
H2UXCMSW - WHITE
STOCK COLORS: WHITE, BLACK
 EASILY ADJUSTABLE TENSION USING 3/8" ALLEN
 WRENCH INCLUDED 1-1/2" X 6-1/2"

Availability, specification and profile dimensions are subject to change without notice. Check with manufacturer before ordering.
 Gorilla™ is a trademark of Homeland Vinyl Products, Inc Waymark is a registered trademark of Waymark Products, LLC.

GORILLA™ HARDWARE

Paddle Latches

LARGE MILD STEEL PADDLE LATCH



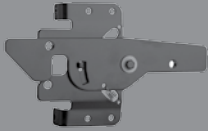
DIMENSIONS: 10 1/4" x 5 5/8" H
LEG DIMENSIONS: 1 1/4"

PART NUMBER: HLRGPADMS + W, B
STOCK COLORS: WHITE, BLACK

BOX QTY: 12
BOX WEIGHT: 14 LBS.

LATCH IS REVERSIBLE

LARGE STAINLESS STEEL PADDLE LATCH



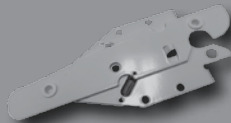
DIMENSIONS: 10 1/4" x 5 5/8" H
LEG DIMENSIONS: 1 1/4"

PART NUMBER: HLRGPADSS + W, B
STOCK COLORS: WHITE, BLACK

BOX QTY: 12
BOX WEIGHT: 25 LBS.

LATCH IS REVERSIBLE

REINFORCED MILD STEEL PADDLE LATCH



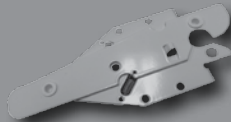
DIMENSIONS: 8 3/4" x 3 1/2" H
LEG DIMENSIONS: 15/16"

PART NUMBER: HRIFPADMS+ W, B
STOCK COLORS: WHITE, BLACK

BOX QTY: 12
BOX WEIGHT: 19 LBS.

LATCH IS REVERSIBLE
REINFORCED PIVOT POINT

REINFORCED STAINLESS STEEL PADDLE LATCH



DIMENSIONS: 8 3/4" x 3 1/2" H
LEG DIMENSIONS: 15/16"

PART NUMBER: HRIFPADSS + W, B
STOCK COLORS: WHITE, BLACK

BOX QTY: 12
BOX WEIGHT: 19 LBS.

LATCH IS REVERSIBLE
REINFORCED PIVOT POINT

SMALL ALUMINUM PADDLE LATCH



DIMENSIONS: 2-1/2" x 4 3/16" H
LEG DIMENSIONS: 7/8"

PART NUMBER: HSMLPADA + W, B
STOCK COLORS: WHITE, BLACK

BOX QTY: 12
BOX WEIGHT: 10 LBS.

MAIN USE FOR PICKET AND DOUBLE DRIVE GATES
LATCH IS REVERSIBLE

SMALL STAINLESS STEEL PADDLE LATCH



DIMENSIONS: 2-1/2" x 4 3/16" H
LEG DIMENSIONS: 7/8"

PART NUMBER: HSMLPADSS+ W, B
STOCK COLORS: WHITE, BLACK

BOX QTY: 12
BOX WEIGHT: 16 LBS.

MAIN USE FOR PICKET AND DOUBLE DRIVE GATES
LATCH IS REVERSIBLE

Availability, specification and profile dimensions are subject to change without notice. Check with manufacturer before ordering.
Gorilla™ is a trademark of Homeland Vinyl Products, Inc. Waymark is a registered trademark of Waymark Products, LLC.

HOMELAND VINYL PRODUCTS, Inc.

17-097-M1135

Homeland Profiles: 800.999.6813 | www.Homelandvinyl.com | Waymark Accessories: 877-652-6118

PERFECT FIT & MATCH • PERFECT FIT & MATCH • PERFECT FIT & MATCH •
• PERFECT FIT & MATCH • PERFECT FIT & MATCH • PERFECT FIT & M
& MATCH • PERFECT FIT & MATCH • PERFECT FIT & MATCH • PERFECT
PERFECT FIT & MATCH • PERFECT FIT & MATCH • PERFECT FIT & MATCH
PERFECT FIT & MATCH • PERFECT FIT & MATCH • PERFECT FIT & MATCH
• PERFECT FIT & MATCH • PERFECT FIT & MATCH • PERFECT FIT & M
& MATCH • PERFECT FIT & MATCH • PERFECT FIT & MATCH • PERFECT



GORILLA™ GUARD RAIL PROFILES & ACCESSORIES



2" x 3-1/2" & Deck-Over Rail System



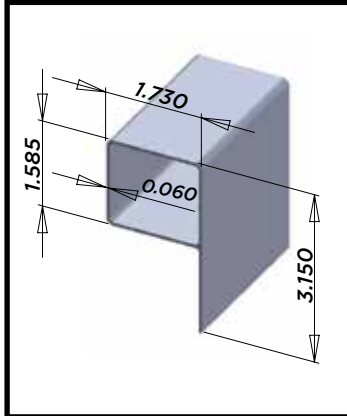
See ESR-1657 report for detailed applications. Check local building codes in your area.

	2" X 3-1/2" HOLLOW UTILITY RAIL		P35, 46
	<p>F24C (0.120 Wall) 2"x3-1/2" Hollow Standard Rail Pcs/Pallet: 143 AL - 6', 8', 16', 24' NJ - NA UT - 6', 8', 12', 16'</p> <p>F24E (0.095 Wall) 2"x3-1/2" Hollow Utility Rail Pcs/Pallet: 143 AL - 6', 94", 8', 10', 16', 24' NJ - 6', 94", 8', 10', 16' * UT - 8', 12', 16'</p> <p style="text-align: center;">W=White, T=Tan, D=Adobe</p>	<p>HOMEWOOD OPTION</p> <p>F24E (0.095 Wall) 2"x3-1/2" Hollow Utility Rail</p> <p>Pcs/Pallet: 143 AL - 16' NJ - NA UT - 16'</p> <p style="text-align: center;">O=Mocha Walnut, Y=Honey Maple, Q=Earl Gray, U=Green Teak</p>	<p>TOP RAIL & BOTTOM RAIL</p>

Availability, specification and profile dimensions are subject to change without notice. Check with manufacturer before ordering.
 All dimensions are subject to manufacturer's tolerances.
 *Limited availability, Check with customer service.

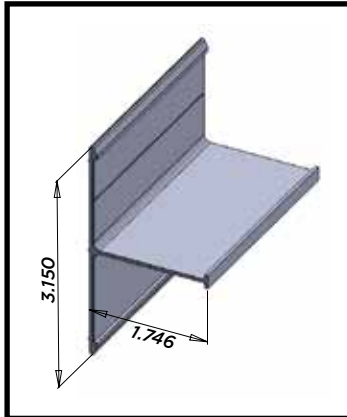
GORILLA™ GUARD RAIL

SUMMIT® 2x3-1/2 & DECK-OVER SYSTEM



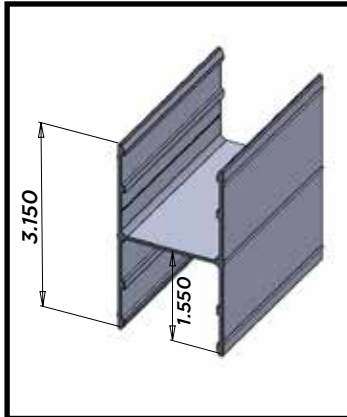
2" X 3-1/2" & T-RAIL P36, 91

G24PA288-69227
2" x 3-1/2" & T-Rail
24' Lengths
120 Pieces per Bundle



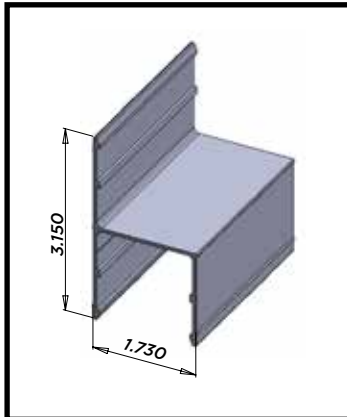
T-BOTTOM RAIL P36, 92

G24TA096-55028
T-Bottom Rail
72", 96" Lengths
For bottom rail only
120 Pieces per Bundle



H-RAIL - ALUMINUM INSERT P36, 92

G24HA096-55026
H-Rail
96" Lengths
For top rail only
120 Pieces per Bundle



SMALL H - ALUMINUM INSERT P36, 92

G24hA072-55027
Small h
72" Lengths
For top rail only
120 Pieces per Bundle

Availability, specification and profile dimensions are subject to change without notice. Check with manufacturer before ordering. All dimensions are subject to manufacturer's tolerances. Gorilla™ is a trademark of Homeland Vinyl Products, Inc. Summit is a registered trademark of Waymark Products, LLC.

GORILLA™ GUARD RAIL SUMMIT® 2x3-1/2 & DECK-OVER SYSTEM

2" x 3-1/2" SUMMIT® RAIL BRACKET

P37



INSIDE DIMENSIONS: 2" x 3 1/2"
INSIDE CORNER RADIUS: 0.125"
OVERALL DIMENSIONS: 3.745" x 5.20"

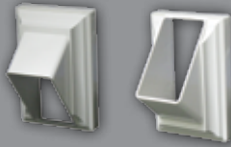
BOX QTY: 24 KITS (2 PER KIT)
BOX WEIGHT: 16 LBS.

PART NUMBER: BL235S + W, T, A,
MW, HM, EG, GT
STOCK COLORS: WHITE, TAN, ADOBE, MOCHA WALNUT,
HONEY MAPLE, EARL GRAY, GREEN TEAK

BASE, TRIM COVERS AND SCREWS INCLUDED

2" x 3-1/2" SUMMIT® STAIR BRACKET

P37



INSIDE DIMENSIONS: 2" x 3 1/2"
INSIDE CORNER RADIUS: 0.125"
OVERALL DIMENSIONS: 3.745" x 5.20"

BOX QTY: 24 KITS (2 PER KIT)
BOX WEIGHT: 16 LBS.

PART NUMBER: BS235S + W, T, A,
MW, HM, EG, GT
STOCK COLORS: WHITE, TAN, ADOBE, MOCHA WALNUT,
HONEY MAPLE, EARL GRAY, GREEN TEAK

BASE, TRIM COVERS AND SCREWS INCLUDED
DEGREE OF ANGLE: 31-38 DEGREES

REPLACEMENT SUMMIT® 2" x 3-1/2" BRACKET TRIM COVER



FOR BRACKET PART#:BL235S

BOX QTY: 20
BOX WEIGHT: 2 LBS.

PART NUMBER: BRC235S + W, T, A, MW
STOCK COLORS: WHITE, TAN, ADOBE, MOCHA WALNUT
CUSTOM COLORS AVAILABLE: YES

COVERS ONLY FOR REPAIR/REPLACEMENT OF
LOST OR DAMAGED BRACKET COVERS

REPLACEMENT SUMMIT® 2" x 3-1/2" STAIR BRACKET TRIM COVER



FOR BRACKET PART#:BS235S

BOX QTY: 20
BOX WEIGHT: 2 LBS.

PART NUMBER: BSC235S + W, T, A, MW
STOCK COLORS: WHITE, TAN, ADOBE, MOCHA WALNUT
CUSTOM COLORS AVAILABLE: YES

COVERS ONLY FOR REPAIR/REPLACEMENT OF
LOST OR DAMAGED BRACKET COVERS

22 1/2 DEGREE SUMMIT® ADAPTER

P38



DIMENSIONS: 3 15/16" x 5 3/8" H

BOX QTY: 10 KITS (2 PER KIT)
BOX WEIGHT: 5.5 LBS.

PART NUMBER: BA225S + W, T, A,
MW, HM, EG, GT
STOCK COLORS: WHITE, TAN, ADOBE, MOCHA WALNUT,
HONEY MAPLE, EARL GRAY, GREEN TEAK

WORKS WITH BOTH STRAIGHT AND STAIR
BRACKETS.

45 DEGREE SUMMIT® ADAPTER

P38



DIMENSIONS: 3 15/16" x 5 3/8" H
Fits 6" to 10"

BOX QTY: 10 KITS (2 PER KIT)
BOX WEIGHT: 8.3 LBS.

PART NUMBER: BA45S + W, T, A,
MW, HM, EG, GT
STOCK COLORS: WHITE, TAN, ADOBE, MOCHA WALNUT,
HONEY MAPLE, EARL GRAY, GREEN TEAK

WORKS WITH BOTH STRAIGHT AND STAIR
BRACKETS.

8" SUMMIT® COLUMN ADAPTER

P38



DIMENSIONS: 3 15/16" x 5 3/8" H

BOX QTY: 10 KITS (2 PER KIT)
BOX WEIGHT: 4 LBS.

PART NUMBER: BA8CS + W, T, A
STOCK COLORS: WHITE, TAN, ADOBE

WORKS WITH BOTH STRAIGHT AND STAIR
BRACKETS.

Availability, specification and profile dimensions are subject to change without notice. Check with manufacturer before ordering.
Gorilla™ is a trademark of Homeland Vinyl Products, Inc. Waymark is a registered trademark of Waymark Products, LLC. Summit is
an registered trademark of Waymark Products, LLC.


HOMELAND VINYL PRODUCTS, Inc.

17-097-M1135

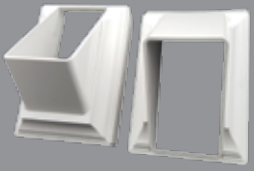
Homeland Profiles: 800.999.6813 | www.Homelandvinyl.com | Waymark Accessories: 877-652-6118

GORILLA™ GUARD RAIL SUMMIT® 2x3-1/2 & DECK-OVER SYSTEM


DECK-OVER SUMMIT® BRACKET

	<p>INSIDE DIMENSIONS: 2" x 3 1/2" INSIDE CORNER RADIUS: 0.125" OVERALL DIMENSIONS: 3.745" x 4.479"</p> <p>BOX QTY: 24 KITS (2 PER KIT) BOX WEIGHT: 16 LBS.</p>	<p>PART NUMBER: BLDOVS + W, T, A, MW, HM, EG, GT</p> <p>STOCK COLORS: WHITE, TAN, ADOBE, MOCHA WALNUT, HONEY MAPLE, EARL GRAY, GREEN TEAK</p> <p>BASE, TRIM COVERS AND SCREWS INCLUDED. DECK RAIL ATTACHMENT KIT SOLD SEPARATELY</p>
---	--	---


DECK-OVER SUMMIT® STAIR BRACKET

	<p>INSIDE DIMENSIONS: 2" x 3 1/2" INSIDE CORNER RADIUS: 0.125" OVERALL DIMENSIONS: 3.745" x 5.20"</p> <p>BOX QTY: 24 KITS (2 PER KIT) BOX WEIGHT: 16 LBS.</p>	<p>PART NUMBER: BSDOVS + W, T, A, MW, HM, EG, GT</p> <p>STOCK COLORS: WHITE, TAN, ADOBE, MOCHA WALNUT, HONEY MAPLE, EARL GRAY, GREEN TEAK</p> <p>BASE, TRIM COVERS AND SCREWS INCLUDED DEGREE OF ANGLE: 34 DEGREES</p>
---	---	---


SUMMIT® DECK BOARD RAILING ATTACHMENT KIT

	<p>DIMENSIONS: 3.5" x 1 1/4" H CONTAINS: 2 BRACKETS AND 8 SS SCREWS</p> <p>BOX QTY: 50 KITS (2 PER KIT) BOX WEIGHT: 7 LBS.</p>	<p>PART NUMBER: B35DBRD</p> <p>USE WITH SUMMIT DECK-OVER BRACKETS.</p>
---	--	---


DECK-OVER SUMMIT® FIELD CUT ADAPTER

	<p>INSIDE DIMENSIONS: 2" x 3 1/2" INSIDE CORNER RADIUS: 0.125" OVERALL DIMENSIONS: 4.5" x 3-23/32" x 3-5/8"</p> <p>BOX QTY: 10 KITS (2 PER KIT) BOX WEIGHT: 21 LBS.</p>	<p>PART NUMBER: BAFCDOV + W,T,A</p> <p>STOCK COLORS: WHITE, TAN, ADOBE</p> <p>CUSTOM FIELD CUT FOR STAIR APPLICATIONS. USE WITH SUMMIT DECK-OVER BRACKETS NO SCREWS INCLUDED</p>
--	---	--


22 1/2 DEGREE DECK-OVER SUMMIT® ADAPTER

	<p>DIMENSIONS: 4.5" x 3-23/32" x 1-1/2"</p> <p>BOX QTY: 10 KITS (2 PER KIT) BOX WEIGHT: 5.5 LBS.</p>	<p>PART NUMBER: BA225DOV + W, T, A</p> <p>STOCK COLORS: WHITE, TAN, ADOBE</p> <p>WORKS WITH DECK-OVER AND FIELD CUT BRACKETS.</p>
---	---	---

45 DEGREE DECK-OVER SUMMIT® ADAPTER

	<p>DIMENSIONS: 4.5" x 3-23/32" x 2-1/8" Fits 6" to 10"</p> <p>BOX QTY: 10 KITS (2 PER KIT) BOX WEIGHT: 6 LBS.</p>	<p>PART NUMBER: BA45DOV + W, T, A</p> <p>STOCK COLORS: WHITE, TAN, ADOBE</p> <p>WORKS WITH DECK-OVER AND FIELD CUT BRACKETS.</p>
---	---	--

8" SUMMIT® DECK-OVER COLUMN ADAPTER

	<p>DIMENSIONS: 4.5" x 3-23/32" x 21/32"</p> <p>BOX QTY: 10 KITS (2 PER KIT) BOX WEIGHT: 4 LBS.</p>	<p>PART NUMBER: BA8CDOV + W, T, A</p> <p>STOCK COLORS: WHITE, TAN, ADOBE</p> <p>WORKS WITH DECK-OVER AND FIELD CUT BRACKETS.</p>
---	---	--

Availability, specification and profile dimensions are subject to change without notice. Check with manufacturer before ordering. Gorilla™ is a trademark of Homeland Vinyl Products, Inc. Waymark is a registered trademark of Waymark Products, LLC. Summit is a registered trademark of Waymark Products, LLC.

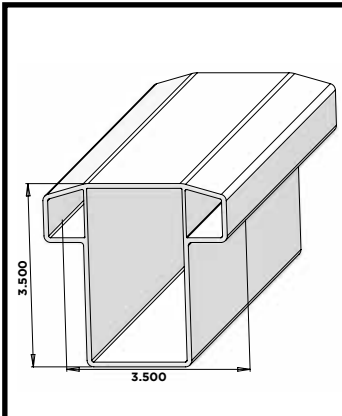
HOMELAND VINYL PRODUCTS, Inc.

Homeland Profiles: 800.999.6813 | www.Homelandvinyl.com | Waymark Accessories: 877-652-6118

Summit® T-Rail System



See ESR-1657 report for detailed applications. Check local building codes in your area.



3-1/2" GORILLA® T-RAIL

F35C (0.095 wall)
3-1/2" Gorilla® T-Rail
Pcs/Pallet: 90
AL - 6', 8', 10', 16'
NJ - 6', 8', 10', 16' *
UT - N/A

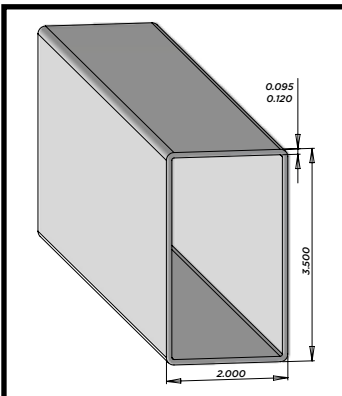
W=White, T=Tan, D=Adobe

HOMEWOOD OPTION

F35C - (0.095 wall)
3-1/2" Gorilla® T-Rail
Pcs/Pallet: 90
AL - 16'
NJ - N/A
UT - N/A

O=Mocha Walnut, Y=Honey Maple,
 Q=Earl Gray, U=Green Teak

TOP RAIL



2" X 3-1/2" HOLLOW UTILITY RAIL

P31, 46

F24C (0.120 Wall)
2"x3-1/2" Hollow Standard Rail
Pcs/Pallet: 143
AL - 6', 8', 16', 24'
NJ - NA
UT - 6', 8', 12', 16'

F24E (0.095 Wall)
2"x3-1/2" Hollow Utility Rail
Pcs/Pallet: 143
AL - 6', 94", 8', 10', 16', 24'
94", 8', 10', 16' *
UT - 8', 12', 16'

W=White, T=Tan, D=Adobe

HOMEWOOD OPTION

F24E (0.095 Wall)
2"x3-1/2" Hollow Utility Rail
Pcs/Pallet: 143
AL - 16'
NJ - NA
UT - 16'

O=Mocha Walnut, Y=Honey Maple,
 Q=Earl Gray, U=Green Teak

TOP RAIL &
 BOTTOM RAIL

Availability, specification and profile dimensions are subject to change without notice. Check with manufacturer before ordering.
 All dimensions are subject to manufacturer's tolerances. *Limited availability, Check with customer service.
 Gorilla® is a registered trademark of Homeland Vinyl Products, Inc. Summit is an registered trademark of Waymark Products, LLC.

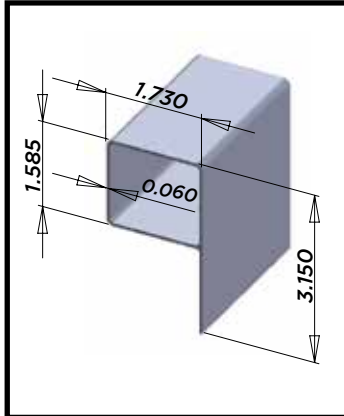
HOMELAND VINYL PRODUCTS, Inc.

17-097-M1135

Homeland Profiles: 800.999.6813 | www.Homelandvinyl.com | Waymark Accessories: 877-652-6118

GORILLA™ GUARD RAIL

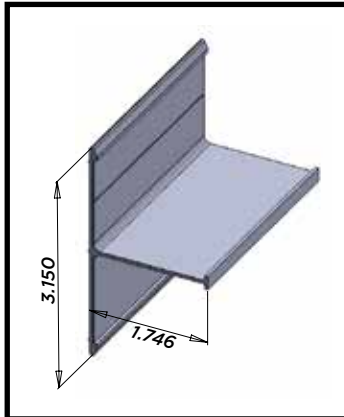
SUMMIT® T-RAIL SYSTEM



2" X 3-1/2" & T-RAIL

P32, 91

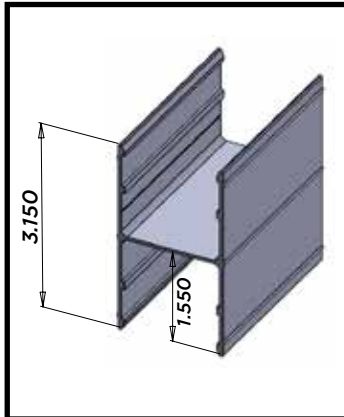
G24PA288-69227
2" x 3-1/2" & T-Rail
24' Lengths
120 Pieces per Bundle



T-BOTTOM RAIL

P32, 92

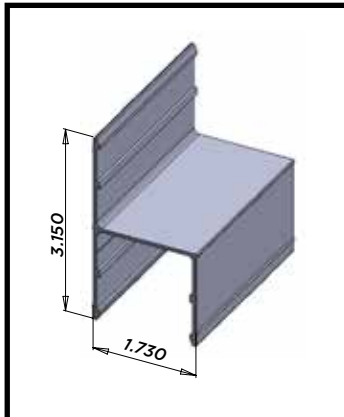
G24TA096-55028
T-Bottom Rail
72", 96" Lengths
For bottom rail only
120 Pieces per Bundle



H-RAIL - ALUMINUM INSERT

P32, 92

G24HA096-55026
H-Rail
96" Lengths
For top rail only
120 Pieces per Bundle



SMALL H - ALUMINUM INSERT

P32, 92

G24hA072-55027
Small h
72" Lengths
For top rail only
120 Pieces per Bundle

Availability, specification and profile dimensions are subject to change without notice. Check with manufacturer before ordering. All dimensions are subject to manufacturer's tolerances. Gorilla™ is a trademark of Homeland Vinyl Products, Inc. Summit is a registered trademark of Waymark Products, LLC.

GORILLA™ GUARD RAIL

SUMMIT® T-RAIL SYSTEM

T-RAIL SUMMIT® BRACKET



INSIDE DIMENSIONS: 3 1/2" x 3 1/2"
OVERALL DIMENSIONS: 3.745" x 5.20"

BOX QTY: 24 KITS (2 PER KIT)
BOX WEIGHT: 16 LBS.

PART NUMBER: BLTRLS + W, T, A,
MW, HM, EG, GT
STOCK COLORS: WHITE, TAN, ADOBE, MOCHA WALNUT,
HONEY MAPLE, EARL GRAY, GREEN TEAK
BASE, TRIM COVERS AND SCREWS INCLUDED

T-RAIL SUMMIT® STAIR BRACKET



INSIDE DIMENSIONS: 3 1/2" x 3 1/2"
OVERALL DIMENSIONS: 3.745" x 5.20"

BOX QTY: 24 KITS (2 PER KIT)
BOX WEIGHT: 18 LBS.

PART NUMBER: BSTRLS + W, T, A,
MW, HM, EG, GT
STOCK COLORS: WHITE, TAN, ADOBE, MOCHA WALNUT,
HONEY MAPLE, EARL GRAY, GREEN TEAK
BASE, TRIM COVERS AND SCREWS INCLUDED
DEGREE OF ANGLE: 31-38 DEGREES

REPLACEMENT SUMMIT® T-RAIL BRACKET TRIM COVER



FOR BRACKET PART#:BLTRLS

BOX QTY: 20
BOX WEIGHT: 2 LBS.

PART NUMBER: BRCTRLS + W, T, A, MW
STOCK COLORS: WHITE, TAN, ADOBE, MOCHA WALNUT
CUSTOM COLORS AVAILABLE: YES
COVERS ONLY FOR REPAIR/REPLACEMENT OF
LOST OR DAMAGED BRACKET COVERS

REPLACEMENT SUMMIT® T-RAIL STAIR BRACKET TRIM COVER



FOR BRACKET PART#:BSTRLS

BOX QTY: 20
BOX WEIGHT: 2 LBS.

PART NUMBER: BSCTRLS + W, T, A, MW
STOCK COLORS: WHITE, TAN, ADOBE, MOCHA WALNUT
CUSTOM COLORS AVAILABLE: YES
COVERS ONLY FOR REPAIR/REPLACEMENT OF
LOST OR DAMAGED BRACKET COVERS

2" x 3 1/2" SUMMIT® RAIL BRACKET

P33



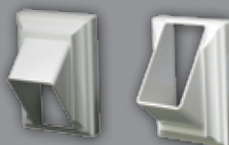
INSIDE DIMENSIONS: 2" x 3 1/2"
INSIDE CORNER RADIUS: 0.125"
OVERALL DIMENSIONS: 3.745" x 5.20"

BOX QTY: 24 KITS (2 PER KIT)
BOX WEIGHT: 16 LBS.

PART NUMBER: BL235S + W, T, A,
MW, HM, EG, GT
STOCK COLORS: WHITE, TAN, ADOBE, MOCHA WALNUT,
HONEY MAPLE, EARL GRAY, GREEN TEAK
BASE, TRIM COVERS AND SCREWS INCLUDED

2" x 3 1/2" SUMMIT® STAIR BRACKET

P33



INSIDE DIMENSIONS: 2" x 3 1/2"
INSIDE CORNER RADIUS: 0.125"
OVERALL DIMENSIONS: 3.745" x 5.20"

BOX QTY: 24 KITS (2 PER KIT)
BOX WEIGHT: 16 LBS.

PART NUMBER: BS235S + W, T, A,
MW, HM, EG, GT
STOCK COLORS: WHITE, TAN, ADOBE, MOCHA WALNUT,
HONEY MAPLE, EARL GRAY, GREEN TEAK
BASE, TRIM COVERS AND SCREWS INCLUDED
DEGREE OF ANGLE: 31-38 DEGREES

Availability, specification and profile dimensions are subject to change without notice. Check with manufacturer before ordering.
Gorilla™ is a trademark of Homeland Vinyl Products, Inc. Waymark is a registered trademark of Waymark Products, LLC.
Summit is an registered trademark of Waymark Products, LLC.




HOMELAND VINYL PRODUCTS, Inc.

17-097-M1135

Homeland Profiles: 800.999.6813 | www.Homelandvinyl.com | Waymark Accessories: 877-652-6118

GORILLA™ GUARD RAIL

SUMMIT® T-RAIL SYSTEM

22 1/2 DEGREE SUMMIT® ADAPTER		P33
	<p>DIMENSIONS: 3 15/16" x 5 3/8" H</p> <p>BOX QTY: 10 KITS (2 PER KIT)</p> <p>BOX WEIGHT: 5.5 LBS.</p>	<p>PART NUMBER: BA225S + W, T, A, MW, HM, EG, GT</p> <p>STOCK COLORS: WHITE, TAN, ADOBE, MOCHA WALNUT, HONEY MAPLE, EARL GRAY, GREEN TEAK</p> <p>WORKS WITH BOTH STRAIGHT AND STAIR BRACKETS.</p>
	45 DEGREE SUMMIT® ADAPTER	
	<p>DIMENSIONS: 3 15/16" x 5 3/8" H</p> <p>Fits 6" to 10"</p> <p>BOX QTY: 10 KITS (2 PER KIT)</p> <p>BOX WEIGHT: 8.3 LBS.</p>	<p>PART NUMBER: BA45S + W, T, A, MW, HM, EG, GT</p> <p>STOCK COLORS: WHITE, TAN, ADOBE, MOCHA WALNUT, HONEY MAPLE, EARL GRAY, GREEN TEAK</p> <p>WORKS WITH BOTH STRAIGHT AND STAIR BRACKETS.</p>
	8" SUMMIT® COLUMN ADAPTER	
	<p>DIMENSIONS: 3 15/16" x 5 3/8" H</p> <p>BOX QTY: 10 KITS (2 PER KIT)</p> <p>BOX WEIGHT: 4 LBS.</p>	<p>PART NUMBER: BA8CS + W, T, A</p> <p>STOCK COLORS: WHITE, TAN, ADOBE</p> <p>WORKS WITH BOTH STRAIGHT AND STAIR BRACKETS.</p>

Availability, specification and profile dimensions are subject to change without notice. Check with manufacturer before ordering.
 Gorilla™ is a trademark of Homeland Vinyl Products, Inc. Waymark is a registered trademark of Waymark Products, LLC.
 Summit is an registered trademark of Waymark Products, LLC.

PERFECT FIT & MATCH • PERFECT FIT & MATCH • PERFECT FIT & MATCH • I
• PERFECT FIT & MATCH • PERFECT FIT & MATCH • PERFECT FIT & M
& MATCH • PERFECT FIT & MATCH • PERFECT FIT & MATCH • PERFE
PERFECT FIT & MATCH • PERFECT FIT & MATCH • PERFECT FIT & MATC
PERFECT FIT & MATCH • PERFECT FIT & MATCH • PERFECT FIT & MATCH
• PERFECT FIT & MATCH • PERFECT FIT & MATCH • PERFECT FIT & M
& MATCH • PERFECT FIT & MATCH • PERFECT FIT & MATCH • PERFE



GORILLA™ GRAB RAIL

PROFILES & ACCESSORIES



Gorilla™ is a trademark of Homeland Vinyl Products, Inc.

GORILLA™ GRAB RAIL - SUMMIT® SECONDARY HANDRAIL
 8'8" Handrail, Mounting Brackets, End Caps, Post Returns, Wall Mounts and Corners

8'8" HANDRAIL WITH ALUMINUM INSERT



DIMENSIONS: 8'8" L x 1.5" OUTSIDE
 DIAMETER

PART NUMBER: HR88RAIL + W, T, A, BK
 STOCK COLORS: WHITE, TAN, ADOBE, BLACK

BOX QTY: 8
 BOX WEIGHT: 49 LBS.

3" OFFSET ALUMINUM MOUNTING BRACKET



BASE DIAMETER: 2 7/8"

PART NUMBER: HR3BRAKA + W, T, A, BK
 STOCK COLORS: WHITE, TAN, ADOBE, BLACK

BOX QTY: 24
 BOX WEIGHT: 27 LBS.

1" HANDRAIL END CAP



OUTSIDE DIAMETER: 1.5"
 INSIDE DIAMETER: 1"

PART NUMBER: HR1ECAP + W, T, A, BK
 STOCK COLORS: WHITE, TAN, ADOBE, BLACK

BOX QTY: 16
 BOX WEIGHT: 3 LBS.

3" OFFSET 90 DEGREE ALUMINUM POST RETURN



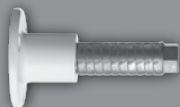
BASE DIAMETER: 3"
 CENTER LINE TO PIPE FITTING: 3"

PART NUMBER: HR90RETA + W, T, A, BK
 STOCK COLORS: WHITE, TAN, ADOBE, BLACK

BOX QTY: 24
 BOX WEIGHT: 31 LBS.

YOU MAY USE OUR PIPE-FITTING RETAINING COMPOUND
 ITEM # HR2MLRC , IN PLACE OF SCREWS.

STRAIGHT ALUMINUM WALL MOUNT



BASE DIAMETER: 3"
 FACE MOUNTED TO PIPE FITTING: 1 3/4"

PART NUMBER: HR134SWMA + W, T, A, BK
 STOCK COLORS: WHITE, TAN, ADOBE, BLACK

BOX QTY: 12
 BOX WEIGHT: 10 LBS.

YOU MAY USE OUR PIPE-FITTING RETAINING COMPOUND
 ITEM # HR2MLRC , IN PLACE OF SCREWS.

90 DEGREE OUTSIDE CORNER



OUTSIDE DIAMETER: 1.5"
 CENTER LINE TO PIPE FITTING: 2 3/4"

PART NUMBER: HR90OUTCR + W, T, A, BK
 STOCK COLORS: WHITE, TAN, ADOBE, BLACK







BOX QTY: 48
 BOX WEIGHT: 22 LBS.

USE OUR JOINER KIT TO ATTACH TO HANDRAIL

Availability, specification and profile dimensions are subject to change without notice. Check with manufacturer before ordering.
 Gorilla™ is a trademark of Homeland Vinyl Products, Inc. Waymark is a registered trademark of Waymark Products, LLC.
 Summit is an registered trademark of Waymark Products, LLC.


GORILLA™ GRAB RAIL - SUMMIT® SECONDARY HANDRAIL


Corner Brackets, Inside Corners, Stair Elbows and Handicap Loops


6" INSIDE CORNER MOUNTING BRACKET		
	CENTER LINE TO CORNER FACE: 6"	PART NUMBER: HR6INBKA + W, T, A, BK STOCK COLORS: WHITE, TAN, ADOBE, BLACK
	BOX QTY: 24 BOX WEIGHT: 8 LBS.	
1 1/2" BEAUTY RING		
	INSIDE DIAMETER: 1.5" INSERTION DEPTH: 1/4"	PART NUMBER: HR15BR+W + T, A, BK STOCK COLORS: WHITE, TAN, ADOBE, BLACK
	BOX QTY: 48 BOX WEIGHT: 3 LBS.	COVERS THE SEAM BETWEEN TWO SECTIONS OF PIPE.
90 DEGREE INSIDE CORNER		
	OVERALL LENGTH: 23 1/4" OUTSIDE DIAMETER: 1.5"	PART NUMBER: HR90INCR + W, T, A, BK STOCK COLORS: WHITE, TAN, ADOBE, BLACK
	BOX QTY: 12 BOX WEIGHT: 18 LBS.	HEAVY WALL PVC PIPE USE OUR JOINER KIT TO ATTACH TO HANDRAIL INCLUDES (2) BEAUTY RINGS
32 DEGREE STAIR ELBOW		
	OVERALL LENGTH: 12 3/4" OUTSIDE DIAMETER: 1.5"	PART NUMBER: HR32ELBW + W, T, A, BK STOCK COLORS: WHITE, TAN, ADOBE, BLACK
	BOX QTY: 12 BOX WEIGHT: 8 LBS.	ALUMINUM REINFORCED USE OUR JOINER KIT TO ATTACH TO HANDRAIL INCLUDES (2) BEAUTY RINGS
34 DEGREE STAIR ELBOW		
	OVERALL LENGTH: 12 3/4" OUTSIDE DIAMETER: 1.5"	PART NUMBER: HR34ELBW + W, T, A, BK STOCK COLORS: WHITE, TAN, ADOBE, BLACK
	BOX QTY: 12 BOX WEIGHT: 8 LBS.	ALUMINUM REINFORCED USE OUR JOINER KIT TO ATTACH TO HANDRAIL INCLUDES (2) BEAUTY RINGS
36 DEGREE STAIR ELBOW		
	OVERALL LENGTH: 12 3/4" OUTSIDE DIAMETER: 1.5"	PART NUMBER: HR36ELBW + W, T, A, BK STOCK COLORS: WHITE, TAN, ADOBE, BLACK
	BOX QTY: 12 BOX WEIGHT: 8 LBS.	ALUMINUM REINFORCED USE OUR JOINER KIT TO ATTACH TO HANDRAIL INCLUDES (2) BEAUTY RINGS

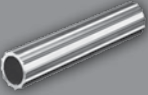
Availability, specification and profile dimensions are subject to change without notice. Check with manufacturer before ordering.
Gorilla™ is a trademark of Homeland Vinyl Products, Inc. Waymark is a registered trademark of Waymark Products, LLC.
Summit is an registered trademark of Waymark Products, LLC.


GORILLA™ GRAB RAIL - SUMMIT® SECONDARY HANDRAIL
 Post Returns, Handicap Elbows, Wall Returns and Joiners


5 DEGREE HANDICAP ELBOW		
	OVERALL LENGTH: 12" OUTSIDE DIAMETER: 1.5"	PART NUMBER: HR5ELBOW + W, T, A, BK STOCK COLORS: WHITE, TAN, ADOBE, BLACK
	BOX QTY: 12 BOX WEIGHT: 7 LBS.	ALUMINUM REINFORCED USE OUR JOINER KIT TO ATTACH TO HANDRAIL INCLUDES (2) BEAUTY RINGS

180 DEGREE POST RETURN		
	OVERALL LENGTH: 27" OUTSIDE DIAMETER: 1.5" 1 BEAUTY RING INCLUDED	PART NUMBER: HR180PR + W, T, A STOCK COLORS: WHITE, TAN, ADOBE
	BOX QTY: 12 BOX WEIGHT: 15 LBS.	HEAVY WALL PVC PIPE USE OUR JOINER KIT TO ATTACH TO HANDRAIL INCLUDES (1) BEAUTY RING AND (1) END CAP

HANDICAP LOOP		
	DIMENSIONS: 12" x 18" x 12" 1 BEAUTY RING INCLUDED	PART NUMBER: HR12LOOP + W, T, A, BK STOCK COLORS: WHITE, TAN, ADOBE, BLACK
	BOX QTY: 12 BOX WEIGHT: 28 LBS.	ALUMINUM REINFORCED USE OUR JOINER KIT TO ATTACH TO HANDRAIL INCLUDES (1) BEAUTY RING AND (1) END CAP

6" ALUMINUM JOINER KIT WITH SCREWS		
	OUTSIDE DIAMETER: 1"	PART NUMBER: HR6JOINA STOCK COLORS: N/A
	BOX QTY: 48 BOX WEIGHT: 8 LBS.	YOU MAY USE OUR PIPE-FITTING RETAINING COMPOUND ITEM # HR2MLRC, IN PLACE OF SCREWS.

5.75" ADJUSTABLE JOINER		
	OUTSIDE DIAMETER: 1"	PART NUMBER: HR575ADJA STOCK COLORS: N/A
	BOX QTY: 24 BOX WEIGHT: 4 LBS.	YOU MAY USE OUR PIPE-FITTING RETAINING COMPOUND ITEM # HR2MLRC, IN PLACE OF SCREWS.

PIPE FITTING RETAINING COMPOUND		P96
	FOR SECONDARY HANDRAIL APPLICATIONS EASILY BIND, 90 DEGREE RETURNS, ADJUSTABLE JOINERS AND ALUMINUM WALL MOUNTS	PART NUMBER: HR2MLRC STOCK COLORS: N/A CUSTOM COLORS AVAILABLE: N/A
	BOX QTY: 6 TUBES BOX WEIGHT: 0.5 LBS.	6 TUBES WILL DO APPROXIMATELY 24 90 DEGREE POST RETURNS

Availability, specification and profile dimensions are subject to change without notice. Check with manufacturer before ordering.
 Gorilla™ is a trademark of Homeland Vinyl Products, Inc. Waymark is a registered trademark of Waymark Products, LLC.
 Summit is an registered trademark of Waymark Products, LLC.

PERFECT FIT & MATCH • PERFECT FIT & MATCH • PERFECT FIT & MATCH •
• PERFECT FIT & MATCH • PERFECT FIT & MATCH • PERFECT FIT & M
& MATCH • PERFECT FIT & MATCH • PERFECT FIT & MATCH • PERFE
PERFECT FIT & MATCH • PERFECT FIT & MATCH • PERFECT FIT & MATC
PERFECT FIT & MATCH • PERFECT FIT & MATCH • PERFECT FIT & MATCH
• PERFECT FIT & MATCH • PERFECT FIT & MATCH • PERFECT FIT & M
& MATCH • PERFECT FIT & MATCH • PERFECT FIT & MATCH • PERFE

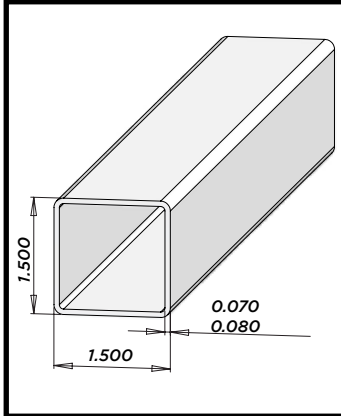


PICKETS PROFILES & ACCESSORIES



Gorilla® is a registered trademark of Homeland Vinyl Products, Inc.

FENCE/GUARD RAIL SMALL PICKETS



1-1/2" X 1-1/2" GORILLA® (& STANDARD) PICKETS

F42H (0.080 Wall)
 1-1/2" x 1-1/2" Gorilla® Pickets
 Pcs/Pallet: 450
 AL - MTO
 NJ - NA
 UT - MTO

F42S (0.070 Wall)
 1-1/2" x 1-1/2" Standard Pickets
 Pcs/Pallet: 450 pcs. (Other Sizes 900)
 AL - 30-1/2", 31", 32", 38",
 10', 12', 16'
NJ - 30-1/2", 32", 16', 43-1/8" *
 UT - 12', 16'

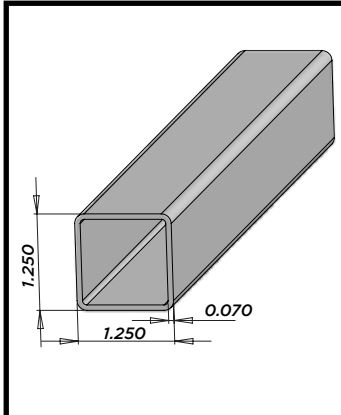
W=White, T=Tan, D=Adobe

HOMEWOOD OPTION

F42S (0.070 Wall)
 1-1/2" x 1-1/2" Standard Pickets

Pcs/Pallet: 450 pcs.
 AL - 16'
 NJ - NA'
 UT - 16'

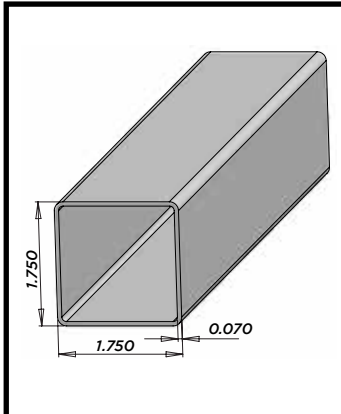
O=Mocha Walnut, Y=Honey Maple,
 Q=Earl Gray, U=Green Teak



1-1/4" X 1-1/4" STANDARD PICKETS

F44S (0.070 Wall)
 1-1/4" x 1-1/4" Standard Pickets
 Pcs/Pallet: 350
AL - MTO **
 NJ - NA
UT - MTO **

W=White, T=Tan, D=Adobe



1-3/4" X 1-3/4" STANDARD PICKETS

F41S (0.070 Wall)
 1-3/4" x 1-3/4" Standard Pickets
 Pcs/Pallet: 312
 AL - 16'
 NJ - NA
 UT - 16'

W=White, T=Tan, D=Adobe

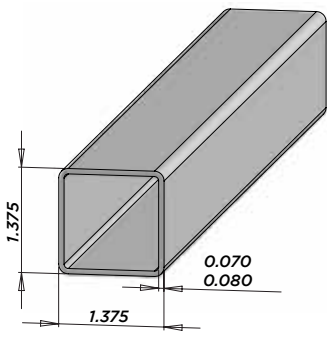
Availability, specification and profile dimensions are subject to change without notice. Check with manufacturer before ordering.

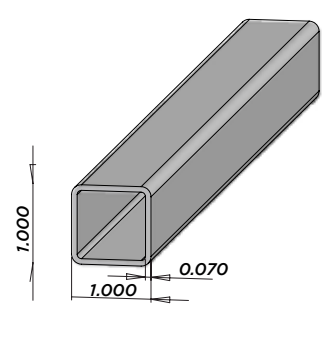
All dimensions are subject to manufacturer's tolerances. Gorilla® is a registered trademark of Homeland Vinyl Products, Inc.

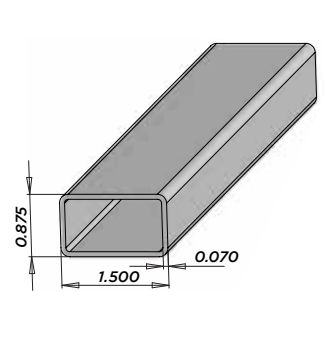
*Limited availability, Check with customer service.

**Only runs once or twice yearly.

FENCE/GUARD RAIL SMALL PICKETS

	1-3/8" X 1-3/8" GORILLA® (& STANDARD) PICKETS	
	<p>F43H (0.080 Wall) 1-3/8" x 1-3/8" Gorilla® Pickets Pcs/Pallet: 330 AL - MTO ** NJ - MTO ** UT - MTO **</p> <p>F43C (0.070 Wall) 1-3/8" x 1-3/8" Standard Pickets Pcs/Pallet: 330 pcs. (Other Sizes 600) AL - 31-3/4", 32", 32-1/2", 38", 38-1/2", 16' NJ - 30", 32", 36", 16' * UT - 16' W=White, T=Tan, D=Adobe</p>	<p>HOMEWOOD OPTION</p> <p>F43C (0.070 Wall) 1-3/8"x1-3/8" Standard Pickets</p> <p>Pcs/Pallet: 600 (16', 330 pcs.) AL - 16' NJ - NA' UT - 16'</p> <p>O=Mocha Walnut, Y=Honey Maple, Q=Earl Gray, U=Green Teak</p>

	1" X 1" STANDARD PICKETS	
	<p>F45S (0.070 Wall) 1" x 1" Standard Pickets Pcs/Pallet: 450 AL - 16' NJ - NA UT - 16'</p> <p>W=White, T=Tan, D=Adobe</p>	

	7/8" X 1-1/2" STANDARD PICKETS	
	<p>F65S (0.070 Wall) 7/8" x 1-1/2" Standard Pickets Pcs/Pallet: 942 (16', 402 pcs.) AL - 32", 16' NJ - 32", 16' * UT - 33", 16'</p> <p>W=White, T=Tan, D=Adobe</p>	

Availability, specification and profile dimensions are subject to change without notice. Check with manufacturer before ordering.

All dimensions are subject to manufacturer's tolerances.

*Limited availability, Check with customer service.

**Only runs once or twice yearly.

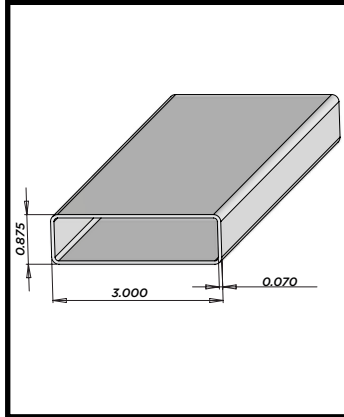
HOMELAND VINYL PRODUCTS, Inc.

17-097-M1135

Homeland Profiles: 800.999.6813 | www.Homelandvinyl.com | Waymark Accessories: 877-652-6118

FENCE/GUARD RAIL

SMALL PICKETS, RAILS



7/8" X 3" STANDARD PICKETS

F57C (0.070 Wall)
 7/8" X 3" Standard Pickets
 Pcs/Pallet: 355
 AL - 42-11/16", 45-7/8", 12', 16'
 NJ - 45-7/8", 12', 16' *
 UT - 16'

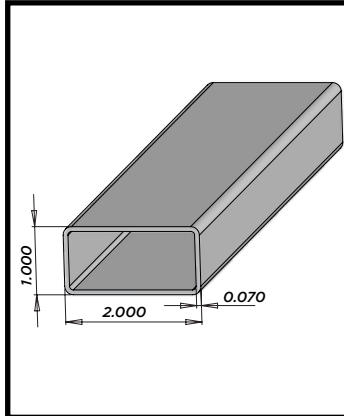
HOMEWOOD OPTION

F57H (0.080 Wall)
 7/8" x 3" Gorilla® Pickets

Pcs/Pallet: 355
 AL - 8'
 NJ - NA
 UT - 8'

O=Mocha Walnut, Y=Honey Maple,
 Q=Earl Gray, U=Green Teak

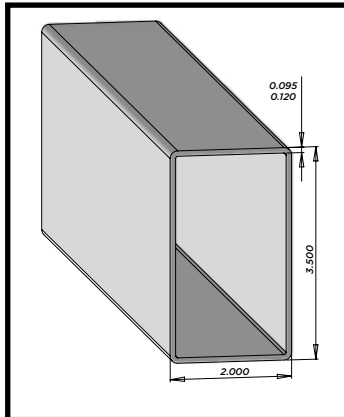
W=White, T=Tan, D=Adobe



1" X 2" STANDARD PICKETS

F48S (0.070 Wall)
 1" x 2" Standard Pickets
 Pcs/Pallet: 270
 AL - 16' **
 NJ - NA
 UT - 16' **

W=White, T=Tan, D=Adobe



2" X 3-1/2" HOLLOW UTILITY RAIL

P31, 35

F24C (0.120 Wall)
 2" x 3-1/2" Hollow Standard Rail
 Pcs/Pallet: 143
 AL - 6', 8', 16', 24'
 NJ - NA
 UT - 6', 8', 12', 16'

F24E (0.095 Wall)
 2" x 3-1/2" Hollow Utility Rail
 Pcs/Pallet: 143
 AL - 6', 94", 8', 10', 16', 24'
 NJ - 6', 94", 8', 10', 16' *
 UT - 8', 12', 16'

W=White, T=Tan, D=Adobe

HOMEWOOD OPTION

F24E (0.095 Wall)
 2" x 3-1/2" Hollow Utility Rail

Pcs/Pallet: 143
 AL - 16'
 NJ - NA
 UT - 16'

O=Mocha Walnut, Y=Honey Maple,
 Q=Earl Gray, U=Green Teak

**TOP RAIL &
 BOTTOM RAIL**

Availability, specification and profile dimensions are subject to change without notice. Check with manufacturer before ordering.

All dimensions are subject to manufacturer's tolerances.

*Limited availability, Check with customer service.

**Only runs once or twice yearly.

GORILLA™ CAPS - POST AND PICKET CAPS

Dog Ear Picket Caps - Spade Picket Caps - Square Picket Caps

7/8" x 1 1/2" PVC SPADE PICKET CAP



DIMENSIONS: 7/8" W x 1.5" L x 1.5" H
 OUTSIDE CORNER RADIUS: 0.125"
 INTERNAL FIT OF CAP: 0.9" H

PART NUMBER: P7815S + W, T, A
 STOCK COLORS: WHITE, TAN, ADOBE

BOX QTY: 500
 BOX WEIGHT: 14 LBS.

FITS WALL THICKNESS OF: .065 - .075

1 3/8" PVC SHARP PICKET CAP



DIMENSIONS: 1 3/8" x 1 3/8" x 1.25" H
 OUTSIDE CORNER RADIUS: 0.125"
 INTERNAL FIT OF CAP: 0.5" H

PART NUMBER: P138SH + W, T, A,
 MW, HM, EG, GT
 STOCK COLORS: WHITE, TAN, ADOBE, MOCHA WALNUT,
 HONEY MAPLE, EARL GRAY, GREEN TEAK

BOX QTY: 500
 BOX WEIGHT: 11 LBS.

FITS WALL THICKNESS OF: .065 - .075

1 1/2" PVC SHARP PICKET CAP



DIMENSIONS: 1.5" x 1.5" x 1.40" H
 OUTSIDE CORNER RADIUS: 0.109"
 INTERNAL FIT OF CAP: 0.60" H

PART NUMBER: P1515SH + W, T, A, MW
 STOCK COLORS: WHITE, TAN, ADOBE, MOCHA WALNUT

BOX QTY: 500
 BOX WEIGHT: 11 LBS.

FITS WALL THICKNESS OF: .065 - .075

7/8" x 3" PVC DOG EAR PICKET CAP



DIMENSIONS: 7/8" W x 3" L x 1" H
 OUTSIDE CORNER RADIUS: 0.125"
 INTERNAL FIT OF CAP: 0.8" H

PART NUMBER: P783DE + W, T, A,
 MW, HM, EG, GT
 STOCK COLORS: WHITE, TAN, ADOBE, MOCHA WALNUT,
 HONEY MAPLE, EARL GRAY, GREEN TEAK

BOX QTY: 300
 BOX WEIGHT: 13 LBS.

PALLET QTY: 72 BOXES - 21,600 PCS.
 FITS WALL THICKNESS OF: .070-.080

7/8" x 3" PVC SPADE PICKET CAP



DIMENSIONS: 7/8" W x 3" L x 2.02" H
 OUTSIDE CORNER RADIUS: 0.125"
 INTERNAL FIT OF CAP: 0.8" H

PART NUMBER: P783S + W, T, A
 STOCK COLORS: WHITE, TAN, ADOBE

BOX QTY: 250
 BOX WEIGHT: 13 LBS.

PALLET QTY: 72 BOXES - 18,000 PCS.
 FITS WALL THICKNESS OF: .070-.080

2" PVC SQUARE PICKET CAP



DIMENSIONS: 2" x 2"

PART NUMBER: P22SQRE + W, T, A
 STOCK COLORS: WHITE, TAN, ADOBE

BOX QTY: 450
 BOX WEIGHT: 14 LBS.

**DROP
SHIP
ONLY**

Availability, specification and profile dimensions are subject to change without notice. Check with manufacturer before ordering.
 Gorilla™ is a trademark of Homeland Vinyl Products, Inc. Waymark is a registered trademark of Waymark Products, LLC.


HOMELAND VINYL PRODUCTS, Inc.


17-097-M1135


Homeland Profiles: 800.999.6813 | www.Homelandvinyl.com | Waymark Accessories: 877-652-6118

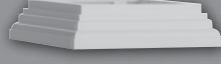
GORILLA™ RAILING - COMPONENTS


Trim Rings


4" NEW ENGLAND TRIM RING		
	DIMENSIONS: 4" x 4" x 1.30" H INSIDE CORNER RADIUS: 0.125" OUTSIDE DIMENSION: 5.49" SQ.	PART NUMBER: TR44NE + W, T, A, MW, HM, EG, GT
	BOX QTY: 40 BOX WEIGHT: 9 LBS.	STOCK COLORS: WHITE, TAN, ADOBE, MOCHA WALNUT, HONEY MAPLE, EARL GRAY, GREEN TEAK
	MATCHES POST CAP ITEM # C44NE	

5" NEW ENGLAND TRIM RING		
	DIMENSIONS: 5" x 5" x 1.62" H INSIDE CORNER RADIUS: 0.125" OUTSIDE DIMENSION: 6.77" SQ.	PART NUMBER: TR55NE + W, T, A, MW, HM, EG, GT
	BOX QTY: 40 BOX WEIGHT: 15 LBS.	STOCK COLORS: WHITE, TAN, ADOBE, MOCHA WALNUT, HONEY MAPLE, EARL GRAY, GREEN TEAK
	MATCHES POST CAP ITEM # C55NE	

4" 2-PIECE NEW ENGLAND TRIM RING		
	DIMENSIONS: 4" x 4" x 1.30" H INSIDE CORNER RADIUS: 0.125" OUTSIDE DIMENSION: 5.49" SQ.	PART NUMBER: TR442PCNE + W, T, A
	BOX QTY: 50 BOX WEIGHT: 9 LBS.	STOCK COLORS: WHITE, TAN, ADOBE
	MATCHES POST CAP ITEM # C44NE	


4" CLASSIC TRIM RING		
	DIMENSIONS: 4" x 4" x 1.40" H INSIDE CORNER RADIUS: 0.125" OUTSIDE DIMENSION: 5.75" SQ.	PART NUMBER: TR44CLS + W, T, A, MW, HM, EG, GT
	BOX QTY: 36 BOX WEIGHT: 9 LBS.	STOCK COLORS: WHITE, TAN, ADOBE, MOCHA WALNUT, HONEY MAPLE, EARL GRAY, GREEN TEAK
	MATCHES POST CAP ITEM # C44CLS	


5" CLASSIC TRIM RING		
	DIMENSIONS: 5" x 5" x 1.48" H INSIDE CORNER RADIUS: 0.125" OUTSIDE DIMENSION: 6.78" SQ.	PART NUMBER: TR55CLS + W, T, A, MW, HM, EG, GT
	BOX QTY: 36 BOX WEIGHT: 13 LBS.	STOCK COLORS: WHITE, TAN, ADOBE, MOCHA WALNUT, HONEY MAPLE, EARL GRAY, GREEN TEAK
	MATCHES POST CAP ITEM # C55CLS	

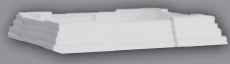
4" LOW TRIM RING		
	DIMENSIONS: 4" x 4" x 1.48" H INSIDE CORNER RADIUS: 0.125" OUTSIDE DIMENSION: 6.78" SQ.	PART NUMBER: TR44LT + W, T, A,, MW, HM, EG, GT
	BOX QTY: 40 BOX WEIGHT: 8 LBS.	STOCK COLORS: WHITE, TAN, ADOBE, MOCHA WALNUT, HONEY MAPLE, EARL GRAY, GREEN TEAK

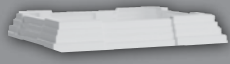
GORILLA™ RAILING - COMPONENTS


Trim Rings & Foot Block


4" MULTI-TRIM RING		
	DIMENSIONS: 4" x 4" x 1.48" H INSIDE CORNER RADIUS: 0.125" OUTSIDE DIMENSION: 6.78" SQ.	PART NUMBER: TR45MT + W, T, A STOCK COLORS: WHITE, TAN, ADOBE
	BOX QTY: 36 BOX WEIGHT: 10 LBS.	USES: TRIM RING, 4" TO 5" TRANSITION, 4" DECORATIVE KNUCKLE USING A 5" POST.

5" MULTI-TRIM RING		
	DIMENSIONS: 5" x 5" x 1.48" H INSIDE CORNER RADIUS: 0.125" OUTSIDE DIMENSION: 6.78" SQ.	PART NUMBER: TR565MT + W, T, A STOCK COLORS: WHITE, TAN, ADOBE
	BOX QTY: 40 BOX WEIGHT: 11 LBS.	USES: TRIM RING, 5" TO 6.5" TRANSITION, 5" DECORATIVE KNUCKLE USING A 6.5" POST.

4" TO 6" ADJUSTABLE TRIM RING (4-PIECE)		
	ADJUSTS TO FIT 4" TO 6" POST SIZES HEIGHT: 1-3/32" (PORCH POST VERSION) CORNER RADIUS: 7/16"	PART NUMBER: TR46ADJ + W, T, A STOCK COLORS: WHITE, TAN, ADOBE
	BOX QTY: 40 SETS BOX WEIGHT: 12 LBS.	4 TRIM PIECES (1 SET) SLIDE TOGETHER MAKING IT EASY TO INSTALL ONE TRIM RING

4" TO 6" ADJUSTABLE TRIM RING (4-PIECE) SMALL RADIUS P58		
	ADJUSTS TO FIT 4" TO 6" POST SIZES HEIGHT: 1-3/32" (POST WRAP VERSION) CORNER RADIUS: 1/4"	PART NUMBER: TR46WAD + W, T, A STOCK COLORS: WHITE, TAN, ADOBE
	BOX QTY: 40 SETS BOX WEIGHT: 12 LBS.	USED FOR POST WRAPS 4 TRIM PIECES (1 SET) SLIDE TOGETHER MAKING IT EASY TO INSTALL ONE TRIM RING

6 1/2" TO 12" ADJUSTABLE TRIM RING (4-PIECE)		
	ADJUSTS TO FIT 6 1/2" TO 12" POSTS HEIGHT: 2-3/32" CORNER RADIUS: 1/4"	PART NUMBER: TR6512ADJ + W, T, A STOCK COLORS: WHITE, TAN, ADOBE
	BOX QTY: 10 SETS BOX WEIGHT: 15 LBS.	4 TRIM PIECES (1 SET) SLIDE TOGETHER MAKING IT EASY TO INSTALL ONE TRIM RING

ADJUSTABLE RAIL FOOT		
	ADJUSTS TO FIT 2" TO 4" HEIGHT	PART NUMBER: RF138+ W, T, A, MW, HM, EG, GT STOCK COLORS: WHITE, TAN, ADOBE, MOCHA WALNUT, HONEY MAPLE, EARL GRAY, GREEN TEAK
	BOX QTY: 50 BOX WEIGHT: 8 LBS.	CUT TO FIT, INSTALLS WITH ONE SCREW BEFORE OR AFTER INSTALLATION

Availability, specification and profile dimensions are subject to change without notice. Check with manufacturer before ordering.
Gorilla™ is a trademark of Homeland Vinyl Products, Inc. Waymark is a registered trademark of Waymark Products, LLC.

HOMELAND VINYL PRODUCTS, Inc.

17-097-M1135

Homeland Profiles: 800.999.6813 | www.Homelandvinyl.com | Waymark Accessories: 877-652-6118

GORILLA™ RAILING - COMPONENTS

Post Skirts, Column Base & Trim

6" DENTAL POST SKIRT



DIMENSIONS: 6" x 6"

PART NUMBER: TR66DENT + W, T, A
STOCK COLORS: WHITE, TAN, ADOBE

BOX QTY: 36
BOX WEIGHT: 38 LBS.

MATCHES POST CAP ITEM # C66DENT

**DROP
SHIP
ONLY**

6 1/2" DENTAL POST SKIRT



DIMENSIONS: 6 1/2" x 6 1/2"

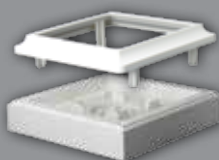
PART NUMBER: TR6565DENT + W, T, A
STOCK COLORS: WHITE, TAN, ADOBE

BOX QTY: 25
BOX WEIGHT: 41 LBS.

MATCHES POST CAP ITEM # C6565DENT

**DROP
SHIP
ONLY**

8" X 8" OR 6.5" X 6.5" COLUMN BASE, TRIM & TRANSITION



DIMENSIONS: 8" x 8" / 6 1/2" x 6 1/2"

PART NUMBER: TR865CB + W, T, A
STOCK COLORS: WHITE, TAN, ADOBE

BOX QTY: 16
BOX WEIGHT: 35 LBS.

MOUNTS AN 8" x 8" POST, 6.5" x 6.5" POST OR
TRANSITIONS FROM 8" TO 6.5" FOR A DECORATIVE
APPEARANCE

8" X 8" COLUMN BASE ONLY



DIMENSIONS: 8" x 8"

PART NUMBER: TR88CB + W, T, A
STOCK COLORS: WHITE, TAN, ADOBE

BOX QTY: 24
BOX WEIGHT: 45 LBS.

MOUNTS AN 8" x 8" POST

PERFECT FIT & MATCH • PERFECT FIT & MATCH • PERFECT FIT & MATCH •
• PERFECT FIT & MATCH • PERFECT FIT & MATCH • PERFECT FIT & M
& MATCH • PERFECT FIT & MATCH • PERFECT FIT & MATCH • PERFE
PERFECT FIT & MATCH • PERFECT FIT & MATCH • PERFECT FIT & MATC
PERFECT FIT & MATCH • PERFECT FIT & MATCH • PERFECT FIT & MATCH
• PERFECT FIT & MATCH • PERFECT FIT & MATCH • PERFECT FIT & M
& MATCH • PERFECT FIT & MATCH • PERFECT FIT & MATCH • PERFE



GORILLA® MATRIX

PROFILES & ACCESSORIES



Gorilla® is a registered trademark of Homeland Vinyl Products, Inc.

GORILLA® MATRIX POSTS & COLUMNS

8" X 8" STANDARD POST P60

F06C (0.170 wall)
8" x 8" Standard Post
Pcs/Box: 1
Boxes/Skids: 10
Refer to Commodity Sheet for Box Costs.
SOLD IN SKID BOX QUANTITIES ONLY
AL - 9' **
NJ - NA
UT - NA

W=White, T=Tan, D=Adobe

6-1/2" X 6-1/2" POST (& GORILLA® POST) P60

F08S (0.270 wall) 6-1/2" x 6-1/2"
Gorilla® Post
Pcs/Pallet: 21
AL - 9', 16' **
NJ - NA
UT - NA

F08E (0.170 wall) 6-1/2" x 6-1/2" Post
Pcs/Pallet: 49
(24', 21 pcs.)
AL - 9', 10', 24'
NJ - NA
UT - NA

W=White, T=Tan, D=Adobe

Boxed Option for F08E:
Pcs/Box: 1 Boxes/Skids: 20
Refer to Commodity Sheet for
Box Costs.
SOLD IN SKID QUANTITIES ONLY

5" X 5" (GORILLA®, STANDARD, UTILITY, RANCH) POST P62

F10C (0.150 wall)
5" x 5" Standard Post
Pcs/Pallet: 81 (16', 24', 36 pcs)
AL - 7', 8', 9', 16', 24'
NJ - 7', 8', 9', 16', 24'
UT - 7', 8', 9', 16', 24'

F10E (0.135 wall)
5" x 5" Utility Post
Pcs/Pallet: 81 (16', 24', 36 pcs.)
AL - 7', 8', 9', 16', 24'
NJ - 7', 8', 9', 16', 24'
UT - 7', 8', 9', 16', 24'

F10J (0.125 wall)
5" x 5" Utility Ranch Post
(Color Inside)
Pcs/Pallet: 81
AL - 5', 6'6", 7'
NJ - NA
UT - 5', 6'6", 7'

F10K (0.270 wall)
5" x 5" Gorilla® Post
Pcs/Pallet: 36
AL - 9', 16', 24'
NJ - 9', 16' *
UT - NA

Boxed Option for F10E:
Pcs/Box: 1 Boxes/Skids: 20
Refer to Commodity Sheet for
Box Costs.
SOLD IN SKID QUANTITIES ONLY

HOMEWOOD OPTION

F10C (0.150 wall)	AL - 7', 9', 16'
5" x 5" Standard Post	NJ - N/A
Pcs/Pallet: 81 (9'), 36 (16')	UT - 8', 16'

O=Mocha Walnut, Y=Honey Maple,
Q=Earl Gray, U=Green Teak

W=White, T=Tan, D=Adobe

Bagging options available for 6"x6", 5"x5", and 4"x4" in truck load quantities. See Made To Order Guidelines.
Availability, specification and profile dimensions are subject to change without notice. Check with manufacturer before ordering.
All dimensions are subject to manufacturer's tolerances. Gorilla® is a registered trademark of Homeland Vinyl Products, Inc.
*Limited availability, Check with customer service. **Only runs once or twice yearly.

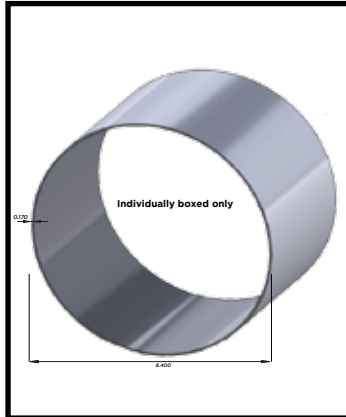
17-097-M1135

HOMELAND VINYL PRODUCTS, Inc.

Homeland Profiles: 800.999.6813 | www.Homelandvinyl.com | Waymark Accessories: 877-652-6118

52

GORILLA[®] MATRIX POSTS & COLUMNS

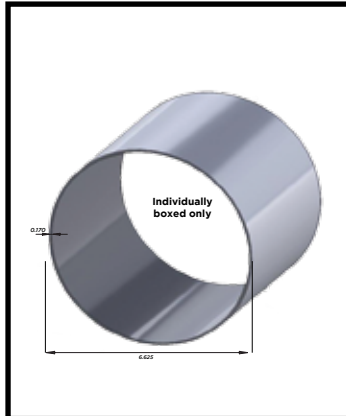


8.40" ROUND COLUMN

TD84 (0.170 wall)
8.40" Round Column
Pcs/Box: 1
Boxes/Skid: 10

Refer to Commodity Sheet for box costs.
SOLD IN SKID QUANTITIES ONLY
AL - 9'
NJ - N/A
UT - N/A

W=White, T=Tan, D=Adobe



6.625" ROUND COLUMN

TD64 (0.170 wall)
6.625" Round Column
Pcs/Box: 1
Boxes/Skid: 20

Refer to Commodity Sheet for box costs.
SOLD IN SKID QUANTITIES ONLY
AL - 9'
NJ - N/A
UT - N/A

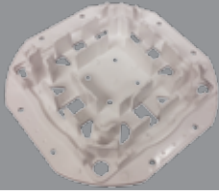
W=White, T=Tan, D=Adobe

Bagging options available for 6"x6", 5"x5", and 4"x4" in truck load quantities. See Made To Order Guidelines.
 Availability, specification and profile dimensions are subject to change without notice. Check with manufacturer before ordering.
 Gorilla[®] is a registered trademark of Homeland Vinyl Products, Inc. All dimensions are subject to manufacturer's tolerances.

GORILLA® MATRIX PLATE & TRIM

GORILLA® MATRIX PLATE AND TRIM

GORILLA MATRIX MOUNTING PLATE W/ BUSHING & TRIM



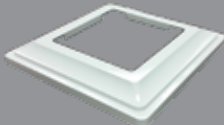
DIMENSIONS: 8" X 8"

PART NUMBER: BR88UCM + W, T, A
STOCK COLORS: WHITE, TAN, ADOBE

BOX QTY: 1 (2 KITS PER BOX)
WEIGHT: 6 LBS.

KIT INCLUDES, GORILLA MATRIX MOUNTING PLATE, BUSHING & UNIVERSAL TRIM

5" X 5" SQUARE COLUMN TRIM



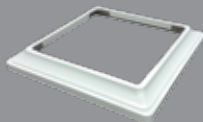
DIMENSIONS: 5" x 5"

PART NUMBER: TR55CT + W, T, A
STOCK COLORS: WHITE, TAN, ADOBE

BOX QTY: 19 BAGS
(2 EACH PER BAG - LABELED)
WEIGHT: 16 LBS.

THIS TRIM ATTACHES TO THE UNIVERSAL TRIM OR TRANSITION FROM 8" X 8" TO 5" X 5"

6-1/2" X 6-1/2" SQUARE COLUMN TRIM



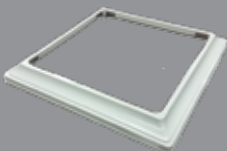
DIMENSIONS: 6-1/2" X 6-1/2"

PART NUMBER: TR6565CT + W, T, A
STOCK COLORS: WHITE, TAN, ADOBE

BOX QTY: 17 BAGS
(2 EACH PER BAG - LABELED)
WEIGHT: 11 LBS.

THIS TRIM ATTACHES TO THE UNIVERSAL TRIM OR TRANSITION FROM 8" X 8" TO 6-1/2" X 6-1/2"

8" X 8" SQUARE COLUMN TRIM



DIMENSIONS: 8" X 8"

PART NUMBER: TR88CT + W, T, A
STOCK COLORS: WHITE, TAN, ADOBE

BOX QTY: 11 BAGS
(2 EACH PER BAG - LABELED)
WEIGHT: 10 LBS.

THIS TRIM ATTACHES TO THE UNIVERSAL TRIM

6-5/8" ROUND COLUMN TRIM



DIMENSIONS: 6.625" X 6.625"

PART NUMBER: TR658RCT + W, T, A
STOCK COLORS: WHITE, TAN, ADOBE

BOX QTY: 17 BAGS
(2 EACH PER BAG - LABELED)
WEIGHT: 15 LBS.

THIS TRIM ATTACHES TO THE UNIVERSAL TRIM OR TRANSITION FROM 8" X 8" TO 6-5/8" ROUND

8.4" ROUND COLUMN TRIM



DIMENSIONS: 8.4" X 8.4"

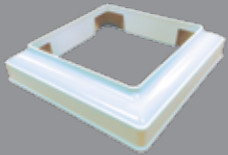
PART NUMBER: TR84RCT + W, T, A
STOCK COLORS: WHITE, TAN, ADOBE

BOX QTY: 20 BAGS
(2 EACH PER BAG - LABELED)
WEIGHT: 19 LBS.

THIS TRIM ATTACHES TO THE UNIVERSAL TRIM

GORILLA® MATRIX PLATE & TRIM

GORILLA® MATRIX PLATE AND TRIM

5" TO 6-1/2" TRANSITION COLUMN TRIM		
	DIMENSIONS: 6-1/2" x 6-1/2" BOX QTY: 8 BAGS (2 EACH PER BAG - LABELED) WEIGHT: 7 LBS.	PART NUMBER: TR565TCT + W, T, A STOCK COLORS: WHITE, TAN, ADOBE TRANSITION FROM 6-1/2" TO 5"

GORILLA TORPEDO ??????		
	DIMENSIONS: ?" x ?" PALLET QTY: ??? PALLET WEIGHT: ??? LBS.	PART NUMBER: ????? Coming Soon!

PERGOLA PLATE		
	DIMENSIONS: ?" x ?" PALLET QTY: ??? PALLET WEIGHT: ??? LBS.	PART NUMBER: ????? Coming Soon!

PERGOLA U-BRACKET		
	DIMENSIONS: ?" x ?" PALLET QTY: ??? PALLET WEIGHT: ??? LBS.	PART NUMBER: ????? Coming Soon!

ADJUSTABLE PERGOLA CLIPS		
	DIMENSIONS: ?" x ?" PALLET QTY: ??? PALLET WEIGHT: ??? LBS.	PART NUMBER: ????? Coming Soon!

Availability, specification and profile dimensions are subject to change without notice. Check with manufacturer before ordering. Gorilla® is a registered trademark of Homeland Vinyl Products, Inc. Waymark is a registered trademark of Waymark Products, LLC.

HOMELAND VINYL PRODUCTS, Inc.

17-097-M1135

Homeland Profiles: 800.999.6813 | www.Homelandvinyl.com | Waymark Accessories: 877-652-6118

T FIT & MATCH • PERFECT FIT & MATCH • PERFECT FIT & MATCH • F
• PERFECT FIT & MATCH • PERFECT FIT & MATCH • PERFECT FIT & M
& MATCH • PERFECT FIT & MATCH • PERFECT FIT & MATCH • PERFEC
R PERFECT FIT & MATCH • PERFECT FIT & MATCH • PERFECT FIT & MATCH
FECT FIT & MATCH • PERFECT FIT & MATCH • PERFECT FIT & MATCH
• PERFECT FIT & MATCH • PERFECT FIT & MATCH • PERFECT FIT & M
& MATCH • PERFECT FIT & MATCH • PERFECT FIT & MATCH • PERFEC









GORILLA® WRAP

Shown:
4 Piece - 6" x 10' Gorilla® Post Wrap
#W610BOXW



GORILLA® WRAP

8 Piece Gorilla Post Wraps

1 3/4" x 10' GORILLA® POST WRAP CORNER TRIM		
	DIMENSIONS: 1 3/4" x 1 3/4" x 10'	PART NUMBER: W17510CRN + W, T, A STOCK COLORS: WHITE, TAN, ADOBE
	BOX QTY: 20 PIECES BOX WEIGHT: 66 LBS.	4 CORNER PIECES AND 4 SLAT PIECES NEEDED TO COMPLETE 1 POST
4" x 10' GORILLA® POST WRAP COVERAGE SLAT P83		
	COVERS: 4" x 10'	PART NUMBER: W410SLAT + W, T, A STOCK COLORS: WHITE, TAN, ADOBE
	BOX QTY: 20 PIECES BOX WEIGHT: 21 LBS.	4 CORNER PIECES AND 4 SLAT PIECES NEEDED TO COMPLETE 1 POST
6" x 10' GORILLA® POST WRAP COVERAGE SLAT P83		
	COVERS: 6" x 10'	PART NUMBER: W610SLAT + W, T, A STOCK COLORS: WHITE, TAN, ADOBE
	BOX QTY: 20 PIECES BOX WEIGHT: 43 LBS.	4 CORNER PIECES AND 4 SLAT PIECES NEEDED TO COMPLETE 1 POST
8" x 10' GORILLA® POST WRAP COVERAGE SLAT P83		
	COVERS: 8" x 10'	PART NUMBER: W810SLAT + W, T, A STOCK COLORS: WHITE, TAN, ADOBE
	BOX QTY: 20 PIECES BOX WEIGHT: 69 LBS.	4 CORNER PIECES AND 4 SLAT PIECES NEEDED TO COMPLETE 1 POST
10" x 10' GORILLA® POST WRAP COVERAGE SLAT P83		
	COVERS: 10" x 10'	PART NUMBER: W1010SLAT + W, T, A STOCK COLORS: WHITE, TAN, ADOBE
	BOX QTY: 20 PIECES BOX WEIGHT: 70 LBS.	4 CORNER PIECES AND 4 SLAT PIECES NEEDED TO COMPLETE 1 POST
12" x 10' GORILLA® POST WRAP COVERAGE SLAT P83		
	COVERS: 12" x 10'	PART NUMBER: W1210SLAT + W, T, A STOCK COLORS: WHITE, TAN, ADOBE
	BOX QTY: 20 PIECES BOX WEIGHT: 110 LBS.	4 CORNER PIECES AND 4 SLAT PIECES NEEDED TO COMPLETE 1 POST

Availability, specification and profile dimensions are subject to change without notice. Check with manufacturer before ordering.
Gorilla® is a registered trademark of Homeland Vinyl Products, Inc.

HOMELAND VINYL PRODUCTS, Inc.

17-097-M1135

Homeland Profiles: 800.999.6813 | www.Homelandvinyl.com | Waymark Accessories: 877-652-6118

GORILLA® WRAP

4 Piece Gorilla Post Wrap ,

4 PIECE - 4" x 10' GORILLA® POST WRAP



DIMENSIONS: 4" x 10'

PART NUMBER: W410BOX + W, T, A
STOCK COLORS: WHITE, TAN, ADOBE

BOX QTY: 20 PCS (5 COMPLETE POST WRAPS)
BOX WEIGHT: 88 LBS.

4 PIECES TO MAKE 1 POST,
FULL BOX WILL COVER A TOTAL OF (5) POSTS

4 PIECE - 6" x 10' GORILLA® POST WRAP



DIMENSIONS: 6" x 10'

PART NUMBER: W610BOX + W, T, A
STOCK COLORS: WHITE, TAN, ADOBE

BOX QTY: 16 PCS (4 COMPLETE POST WRAPS)
BOX WEIGHT: 85 LBS.

4 PIECES TO MAKE 1 POST,
FULL BOX WILL COVER A TOTAL OF (4) POSTS

4" TO 6" ADJUSTABLE TRIM RING (4-PIECE) SMALL RADIUS P49



ADJUSTS TO FIT 4" TO 6" POST SIZES
HEIGHT: 1-3/32" (POST WRAP VERSION)
CORNER RADIUS: 1/4"

PART NUMBER: TR46WAD + W, T, A
STOCK COLORS: WHITE, TAN, ADOBE

BOX QTY: 40 SETS
BOX WEIGHT: 12 LBS.

USED FOR POST WRAPS
4 TRIM PIECES (1 SET) SLIDE TOGETHER MAKING
IT EASY TO INSTALL ONE TRIM RING

IT & MATCH • PERFECT FIT & MATCH • PERFECT FIT & MATCH • PER
PERFECT FIT & MATCH • PERFECT FIT & MATCH • PERFECT FIT & MAT
MATCH • PERFECT FIT & MATCH • PERFECT FIT & MATCH • PERFECT
ECT FIT & MATCH • PERFECT FIT & MATCH • PERFECT FIT & MATCH •
CT FIT & MATCH • PERFECT FIT & MATCH • PERFECT FIT & MATCH •
PERFECT FIT & MATCH • PERFECT FIT & MATCH • PERFECT FIT & MAT
MATCH • PERFECT FIT & MATCH • PERFECT FIT & MATCH • PERFECT



GORILLA® POSTS

PROFILES & ACCESSORIES

Shown:
4"x4" Standard Post
#F12N (0.135 wall)



Gorilla® is a registered trademark of Homeland Vinyl Products, Inc.

GORILLA® POSTS

POSTS

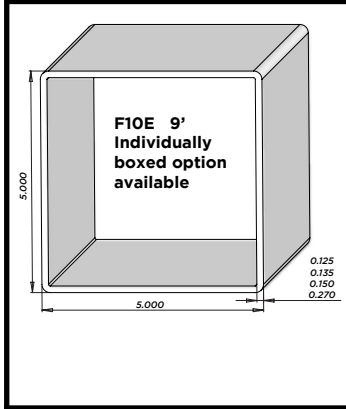
	<p>8" X 8" STANDARD POST P52</p> <p>F06C (0.170 wall) 8" x 8" Standard Post Pcs/Box: 1 Boxes/Skids: 10 Refer to Commodity Sheet for Box Costs. SOLD IN SKID BOX QUANTITIES ONLY AL - 9' ** NJ - NA UT - NA</p> <p style="text-align: center;">W=White, T=Tan, D=Adobe</p>
	<p>6-1/2" X 6-1/2" POST (& GORILLA® POST) P52</p> <p>F08S (0.270 wall) 6-1/2" x 6-1/2" Gorilla® Post Pcs/Pallet: 21 AL - 9', 16' ** NJ - NA UT - NA</p> <p>F08E (0.170 wall) 6-1/2" x 6-1/2" Post Pcs/Pallet: 49 (24', 21 pcs.) Boxed Option for F08E: Pcs/Box: 1 Boxes/Skids: 20 AL - 9', 10', 24' Refer to Commodity Sheet for NJ - NA Box Costs. UT - NA SOLD IN SKID QUANTITIES ONLY</p> <p style="text-align: center;">W=White, T=Tan, D=Adobe</p>
	<p>6" X 6" STANDARD POST</p> <p>F09C (0.125 wall) 6" x 6" Standard Post Pcs/Pallet: 56 AL - 9', 10', 16' NJ - NA UT - NA</p> <p style="text-align: center;">W=White, T=Tan, D=Adobe</p>

Bagging options available for 6"x6", 5"x5", and 4"x4" in truck load quantities. See Made To Order Guidelines.
 Availability, specification and profile dimensions are subject to change without notice. Check with manufacturer before ordering.
 All dimensions are subject to manufacturer's tolerances. Gorilla® is a registered trademark of Homeland Vinyl Products, Inc.
 **Only runs once or twice yearly.

GORILLA® POSTS

POSTS

5" X 5" (GORILLA®, STANDARD, UTILITY, RANCH) POST P52



F10C (0.150 wall)
5" x 5" Standard Post
Pcs/Pallet: 81 (16', 24', 36 pcs)
AL - 7', 8', 9', 16', 24'
NJ - 7', 8', 9', 16', 24'
UT - 7', 8', 9', 16', 24'

F10J (0.125 wall)
5" x 5" Utility Ranch Post
(Color Inside)
Pcs/Pallet: 81
AL - 5', 6'6", 7'
NJ - NA
UT - 5', 6'6", 7'

F10E (0.135 wall)
5" x 5" Utility Post
Pcs/Pallet: 81 (16', 24', 36 pcs.)
AL - 7', 8', 9', 16', 24'
NJ - 7', 8', 9', 16', 24'
UT - 7', 8', 9', 16', 24'

F10K (0.270 wall)
5" x 5" Gorilla® Post
Pcs/Pallet: 36
AL - 9', 16', 24'
NJ - 9', 16' *
UT - NA

Boxed Option for F10E:
Pcs/Box: 1 Boxes/Skids: 20
Refer to Commodity Sheet for
Box Costs.
SOLD IN SKID QUANTITIES ONLY

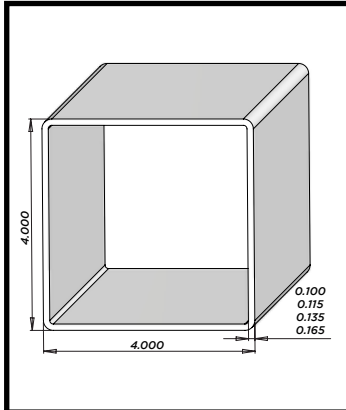
W=White, T=Tan, D=Adobe

HOMEWOOD OPTION

F10C (0.150 wall) **AL - 7', 9', 16'**
5" x 5" Standard Post **NJ - N/A**
Pcs/Pallet: 81 (9'), 36 (16') **UT - 8', 16'**

O=Mocha Walnut, Y=Honey Maple, Q=Earl Gray, U=Green Teak

4" X 4" (GORILLA®, STANDARD, UTILITY, VALUE) POST



F12C (0.165 wall)
4" x 4" Gorilla® Post
Pcs/Pallet: 121 (16', 24', 55 pcs.)
AL - 9', 16', 24'
NJ - NA
UT - 16'

F12N (0.135 wall)
4" x 4" Standard Post
Pcs/Pallet: 121 (16', 24', 55 pcs.)
AL - 6', 7', 9', 16', 24'
NJ - 6', 7', 9', 16', 24' *
UT - 6', 7', 9', 16', 24'

F12E (0.115 wall)
4" x 4" Utility Post
Pcs/Pallet: 121 (16', 24', 55 pcs.)
AL - 39", 48", 6', 7', 8', 9', 16', 24'
NJ - 39", 48", 7', 8', 9', 16', 24' *
UT - 9', 16', 24'

F12V (0.100 wall)
4" x 4" Value Post
(Color Inside)
Pcs/Pallet: 121
AL - 39", 48", 8'
NJ - 39", 48", 8' *
UT - NA

W=White, T=Tan, D=Adobe

HOMEWOOD OPTION

F12N (0.135 wall) **AL - 16'**
4"x4" Standard Post **NJ - N/A**
Pcs/Pallet: 121 (6'), 55 (16') **UT - 16'**

O=Mocha Walnut, Y=Honey Maple, Q=Earl Gray, U=Green Teak

Bagging options available for 6"x6", 5"x5", and 4"x4" in truck load quantities. See Made To Order Guidelines.
 Availability, specification and profile dimensions are subject to change without notice. Check with manufacturer before ordering.
 All dimensions are subject to manufacturer's tolerances. Gorilla® is a registered trademark of Homeland Vinyl Products, Inc.
 *Limited availability, Check with customer service.

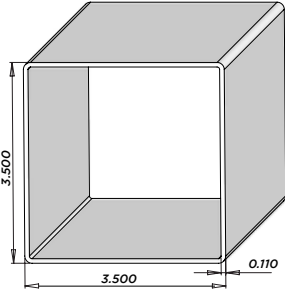
HOMELAND VINYL PRODUCTS, Inc.

17-097-M1135

Homeland Profiles: 800.999.6813 | www.Homelandvinyl.com | Waymark Accessories: 877-652-6118

GORILLA® POSTS POSTS

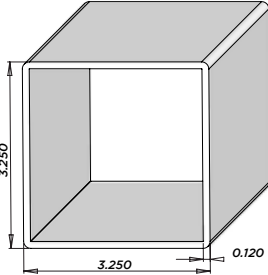
3-1/2" X 3-1/2" UTILITY POST



F13E (0.110 wall)
3-1/2" x 3-1/2" Utility Post
Pcs/Pallet: 156 (16' - 78 pcs.)
AL - 16' **
NJ - NA
UT - NA

W=White, T=Tan, D=Adobe

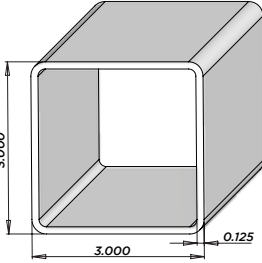
3-1/4" X 3-1/4" STANDARD POST



F15S (0.120 wall)
3-1/4" x 3-1/4" Standard Post
Pcs/Pallet: 98
AL - 16' **
NJ - NA
UT - NA

W=White, T=Tan, D=Adobe

3" X 3" CO-EX STANDARD POST

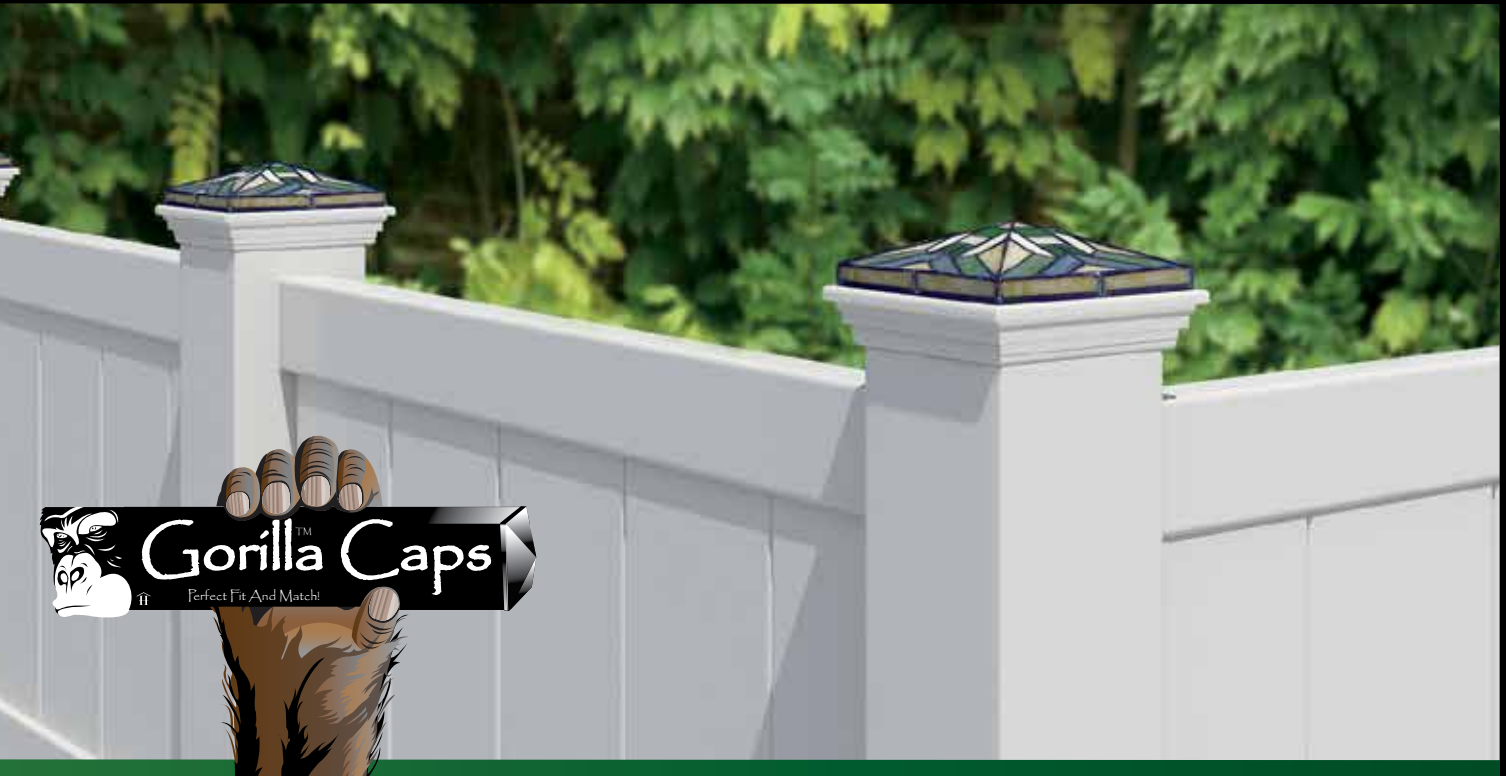


F14C (0.125 wall)
3" x 3" Co-Ex Standard Post
Pcs/Pallet: 120
AL - 16', 24' **
NJ - NA
UT - NA

W=White, T=Tan, D=Adobe

Bagging options available for 6"x6", 5"x5", and 4"x4" in truck load quantities. See Made To Order Guidelines.
 Availability, specification and profile dimensions are subject to change without notice. Check with manufacturer before ordering.
 All dimensions are subject to manufacturer's tolerances. Gorilla® is a registered trademark of Homeland Vinyl Products, Inc.
 **Only runs once or twice yearly.

IT & MATCH • PERFECT FIT & MATCH • PERFECT FIT & MATCH • PER
PERFECT FIT & MATCH • PERFECT FIT & MATCH • PERFECT FIT & MAT
ATCH • PERFECT FIT & MATCH • PERFECT FIT & MATCH • PERFECT
ECT FIT & MATCH • PERFECT FIT & MATCH • PERFECT FIT & MATCH •
CT FIT & MATCH • PERFECT FIT & MATCH • PERFECT FIT & MATCH •
PERFECT FIT & MATCH • PERFECT FIT & MATCH • PERFECT FIT & MAT
ATCH • PERFECT FIT & MATCH • PERFECT FIT & MATCH • PERFECT



GORILLA™ CAPS & TOPS


Shown:
4" Forrest Waypoint® Tops
#CG44TOPFOR

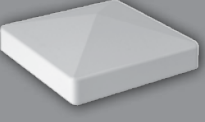



Gorilla™ is a trademark of Homeland Vinyl Products, Inc.


GORILLA™ CAPS - POST AND PICKET CAPS


External Pyramid Caps - Internal Pyramid Caps


4" EXTERNAL PVC PYRAMID CAP		
	DIMENSIONS: 4" x 4" x 1.46" H INSIDE CORNER RADIUS: 0.165" CAP LIP: 0.868"	PART NUMBER: C44PYRA + W, T, A, MW, HM, EG, GT
	BOX QTY: 204 BOX WEIGHT: 32 LBS.	STOCK COLORS: WHITE, TAN, ADOBE, MOCHA WALNUT, HONEY MAPLE, EARL GRAY, GREEN TEAK
		PALLET QTY: 16 BOXES - 3264 PCS.

4" EXTERNAL SHORT LIP PVC PYRAMID CAP		
	DIMENSIONS: 4" x 4" x 1.35" H INSIDE CORNER RADIUS: 0.165" CAP LIP: 0.537"	PART NUMBER: C44SHRT + W, T, A
	BOX QTY: 120 BOX WEIGHT: 13 LBS.	STOCK COLORS: WHITE, TAN, ADOBE

5" EXTERNAL PVC PYRAMID CAP		
	DIMENSIONS: 5" x 5" x 1.875" H INSIDE CORNER RADIUS: 0.1719" (11/64") CAP LIP: 1" H	PART NUMBER: C55PYRA + W, T, A, MW, HM, EG, GT
	BOX QTY: 136 BOX WEIGHT: 39 LBS.	STOCK COLORS: WHITE, TAN, ADOBE, MOCHA WALNUT, HONEY MAPLE, EARL GRAY, GREEN TEAK
		PALLET QTY: 20 BOXES - 2040 PCS.

6 1/2" EXTERNAL PVC PYRAMID CAP		
	DIMENSIONS: 6.5" x 6.5"	PART NUMBER: C65PYRA + W, T, A
	BOX QTY: 30 BOX WEIGHT: 15 LBS.	STOCK COLORS: WHITE, TAN, ADOBE
		DROP SHIP ONLY

8" EXTERNAL PVC PYRAMID CAP		
	DIMENSIONS: 8" x 8"	PART NUMBER: C88HORSE + W, T, A
	BOX QTY: 12 BOX WEIGHT: 7 LBS.	STOCK COLORS: WHITE, TAN, ADOBE
		DROP SHIP ONLY

4" INTERNAL PVC PYRAMID CAP		
	DIMENSIONS: 4" x 4" x 1.55" H OUTSIDE CORNER RADIUS: 0.25" INTERNAL FIT OF CAP: 0.75" H	PART NUMBER: C44IPYRA + W, T, A
	BOX QTY: 192 BOX WEIGHT: 33 LBS.	STOCK COLORS: WHITE, TAN, ADOBE

Availability, specification and profile dimensions are subject to change without notice. Check with manufacturer before ordering.
Gorilla™ is a trademark of Homeland Vinyl Products, Inc. Waymark is a registered trademark of Waymark Products, LLC.

GORILLA™ CAPS - POST AND PICKET CAPS

Internal Pyramid Caps - New England Caps - Classic Caps - Gothic Caps

5" INTERNAL PVC PYRAMID CAP

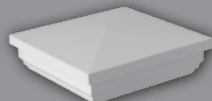


DIMENSIONS: 5" x 5" x 1.46" H
 OUTSIDE CORNER RADIUS: 0.25"
 INTERNAL FIT OF CAP: 0.74" H

PART NUMBER: C55IPYRA + W, T, A
 STOCK COLORS: WHITE, TAN, ADOBE

BOX QTY: 144
 BOX WEIGHT: 41 LBS.

4" PVC NEW ENGLAND CAP

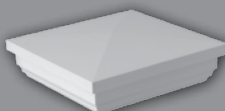


DIMENSIONS: 4" x 4" x 1.78" H
 INSIDE CORNER RADIUS: 0.125"
 CAP LIP: 1"

PART NUMBER: C44NE + W, T, A,
 MW, HM, EG, GT
 STOCK COLORS: WHITE, TAN, ADOBE, MOCHA WALNUT,
 HONEY MAPLE, EARL GRAY, GREEN TEAK
 PALLET QTY: 60 BOXES - 1680 PCS.
 MATCHING TRIM ITEM # TR44NE

BOX QTY: 28
 BOX WEIGHT: 11 LBS.

5" PVC NEW ENGLAND CAP



DIMENSIONS: 5" x 5" x 2.192" H
 INSIDE CORNER RADIUS: 0.156"
 CAP LIP: 1.30" H

PART NUMBER: C55NE + W, T, A,
 MW, HM, EG, GT
 STOCK COLORS: WHITE, TAN, ADOBE, MOCHA WALNUT,
 HONEY MAPLE, EARL GRAY, GREEN TEAK
 PALLET QTY: 45 BOXES - 1080 PCS.
 MATCHING TRIM ITEM # TR55NE

BOX QTY: 24
 BOX WEIGHT: 16 LBS.

4" PVC CLASSIC CAP (COMBINE WITH WAYPOINT TOPS TO FURTHER ENHANCE APPEARANCE)

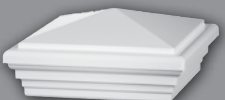


DIMENSIONS: 4" x 4" x 2.55" H
 INSIDE CORNER RADIUS: 0.125"
 CAP LIP: 1.025"

PART NUMBER: C44CLS + W, T, A,
 MW, HM, EG, GT
 STOCK COLORS: WHITE, TAN, ADOBE, MOCHA WALNUT,
 HONEY MAPLE, EARL GRAY, GREEN TEAK
 PALLET QTY: 60 BOXES - 1440 PCS.
 MATCHING TRIM ITEM # TR44CLS

BOX QTY: 24
 BOX WEIGHT: 12 LBS.

5" PVC CLASSIC CAP (COMBINE WITH WAYPOINT TOPS TO FURTHER ENHANCE APPEARANCE)



DIMENSIONS: 5" x 5" x 2.74" H
 INSIDE CORNER RADIUS: 0.188"
 CAP LIP: 1.28"

PART NUMBER: C55CLS + W, T, A,
 MW, HM, EG, GT
 STOCK COLORS: WHITE, TAN, ADOBE, MOCHA WALNUT,
 HONEY MAPLE, EARL GRAY, GREEN TEAK
 PALLET QTY: 45 BOXES - 1080 PCS.
 MATCHING TRIM ITEM # TR55CLS

BOX QTY: 24
 BOX WEIGHT: 17 LBS.

4" PVC GOTHIC CAP



DIMENSIONS: 4" x 4" x 7.83" H
 INSIDE CORNER RADIUS: 0.061"
 CAP LIP: 1.36"

PART NUMBER: C44GOTH + W, T, A, MW
 STOCK COLORS: WHITE, TAN, ADOBE, MOCHA WALNUT


BOX QTY: 45
 BOX WEIGHT: 25 LBS.


PALLET QTY: 24 BOXES - 1080 PCS.

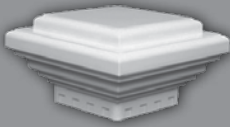
Availability, specification and profile dimensions are subject to change without notice. Check with manufacturer before ordering.
 Gorilla™ is a trademark of Homeland Vinyl Products, Inc. Waymark is a registered trademark of Waymark Products, LLC.

GORILLA™ CAPS - POST AND PICKET CAPS

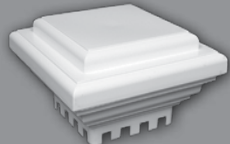
Gothic Caps - Dental Caps - Spade, Sharp and Dog Ear Picket Caps

5" PVC GOTHIC CAP		
	DIMENSIONS: 5" x 5" x 9.64" H INSIDE CORNER RADIUS: 0.031" CAP LIP: 1.57"	PART NUMBER: C55GOTH + W, T, A, MW STOCK COLORS: WHITE, TAN, ADOBE, MOCHA WALNUT
	BOX QTY: 48 BOX WEIGHT: 44 LBS.	PALLET QTY: 12 BOXES - 576 PCS.

1 3/8" PVC GOTHIC CAP SQUARE EXTERNAL		
	DIMENSIONS: 1 3/8" x 1 3/8" x 2.57" H INSIDE CORNER RADIUS: .031" CAP LIP: .43"	PART NUMBER: P138GOTH + W, T, A STOCK COLORS: WHITE, TAN, ADOBE
	BOX QTY: 100 BOX WEIGHT: 7 LBS.	

6" PVC DENTAL CAP		
	DIMENSIONS: 6" x 6"	PART NUMBER: C66DENT + W, T, A STOCK COLORS: WHITE, TAN, ADOBE
	BOX QTY: 12 BOX WEIGHT: 30 LBS.	MATCHING TRIM ITEM # TR66DENT

DROP
SHIP
ONLY

6 1/2" PVC DENTAL CAP		
	DIMENSIONS: 6.5" x 6.5"	PART NUMBER: C65DENT + W, T, A STOCK COLORS: WHITE, TAN, ADOBE
	BOX QTY: 12 BOX WEIGHT: 32 LBS.	MATCHING TRIM ITEM # TR6565DENT


DROP
SHIP
ONLY


Availability, specification and profile dimensions are subject to change without notice. Check with manufacturer before ordering.
Gorilla™ is a trademark of Homeland Vinyl Products, Inc. Waymark is a registered trademark of Waymark Products, LLC.

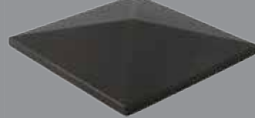
GORILLA™ LIGHTING, SOLAR-LOW VOLTAGE-TOPS

WAYPOINT® Metal Waypoint® Tops

4" AND 5" BLACK WAYPOINT® TOPS		
	DIMENSIONS: TOP FITS ON OUR CLASSIC CAP	4" - PART NUMBER: CM44TOPBK 5" - PART NUMBER: CM55TOPBK
	BOX QTY: 12 BOX WEIGHT: 2 LBS.	* See note below.

4" AND 5" COPPER WAYPOINT® TOPS		
	DIMENSIONS: TOP FITS ON OUR CLASSIC CAP	4" - PART NUMBER: CM44TOPCOP 5" - PART NUMBER: CM55TOPCOP
	BOX QTY: 12 BOX WEIGHT: 2 LBS.	* See note below.

4" AND 5" STAINLESS WAYPOINT® TOPS		
	DIMENSIONS: TOP FITS ON OUR CLASSIC CAP	4" - PART NUMBER: CM44TOPSTN 5" - PART NUMBER: CM55TOPSTN
	BOX QTY: 12 BOX WEIGHT: 2 LBS.	* See note below.

4" AND 5" BRONZE WAYPOINT® TOPS		
	DIMENSIONS: TOP FITS ON OUR CLASSIC CAP	4" - PART NUMBER: CM44TOPBRZ 5" - PART NUMBER: CM55TOPBRZ
	BOX QTY: 12 BOX WEIGHT: 2 LBS.	* See note below.

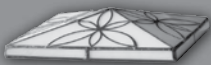
*METAL PLATED TOPS GLUE TO CLASSIC CAP USING WAYMARK'S RAPID SET PVC GLUE. PVC GLUE IS AVAILABLE IN BOTH WHITE & CLEAR. 1.5 OZ & 8 OZ PART # G15OZTUBE (W,T) & G8OZTUBE (W,T)

Availability, specification and profile dimensions are subject to change without notice. Check with manufacturer before ordering.
Gorilla™ is a trademark of Homeland Vinyl Products, Inc. Waymark is a registered trademark of Waymark Products, LLC.
Waypoint is an registered trademark of Waymark Products, LLC.

GORILLA™ LIGHTING, SOLAR-LOW VOLTAGE-TOPS

WAYPOINT® Stained Glass Waypoint® Tops

4" AND 5" PEARL WAYPOINT® TOPS



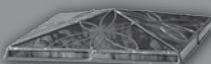
DIMENSIONS: TOP FITS ON OUR CLASSIC CAP

4" - PART NUMBER: CG44TOPPRL
5" - PART NUMBER: CG55TOPPRL

BOX QTY: 12
BOX WEIGHT: 3 LBS.

* See note below.

4" AND 5" CHESTNUT WAYPOINT® TOPS



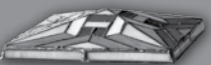
DIMENSIONS: TOP FITS ON OUR CLASSIC CAP

4" - PART NUMBER: CG44TOPCST
5" - PART NUMBER: CG55TOPCST

BOX QTY: 12
BOX WEIGHT: 3 LBS.

* See note below.

4" AND 5" FOREST WAYPOINT® TOPS



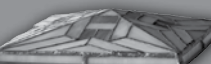
DIMENSIONS: TOP FITS ON OUR CLASSIC CAP

4" - PART NUMBER: CG44TOPFOR
5" - PART NUMBER: CG55TOPFOR

BOX QTY: 12
BOX WEIGHT: 3 LBS.

* See note below.

4" AND 5" HARVEST WAYPOINT® TOPS



DIMENSIONS: TOP FITS ON OUR CLASSIC CAP

4" - PART NUMBER: CG44TOPPHAR
5" - PART NUMBER: CG55TOPPHAR

BOX QTY: 12
BOX WEIGHT: 3 LBS.

* See note below.

4" AND 5" SUNFLOWER WAYPOINT® TOPS



DIMENSIONS: TOP FITS ON OUR CLASSIC CAP

4" - PART NUMBER: CG44TOPSNF
5" - PART NUMBER: CG55TOPSNF

BOX QTY: 12
BOX WEIGHT: 3 LBS.

* See note below.

4" AND 5" GRAPE WAYPOINT® TOPS



DIMENSIONS: TOP FITS ON OUR CLASSIC CAP

4" - PART NUMBER: CG44TOPGRP
5" - PART NUMBER: CG55TOPGRP

BOX QTY: 12
BOX WEIGHT: 3 LBS.

* See note below.

* GLASS TOPS GLUE TO CLASSIC CAP BY APPLYING A SMALL AMOUNT OF SILICONE ADHESIVE TO ALL 4 CORNERS. PLEASE SEE WWW.WAYMARKPRODUCTS.COM FOR FURTHER INSTRUCTION.

Availability, specification and profile dimensions are subject to change without notice. Check with manufacturer before ordering.
Gorilla™ is a trademark of Homeland Vinyl Products, Inc. Waymark is a registered trademark of Waymark Products, LLC.
Waypoint is an registered trademark of Waymark Products, LLC.

IT & MATCH • PERFECT FIT & MATCH • PERFECT FIT & MATCH • PER
PERFECT FIT & MATCH • PERFECT FIT & MATCH • PERFECT FIT & MAT
MATCH • PERFECT FIT & MATCH • PERFECT FIT & MATCH • PERFECT
ECT FIT & MATCH • PERFECT FIT & MATCH • PERFECT FIT & MATCH •
CT FIT & MATCH • PERFECT FIT & MATCH • PERFECT FIT & MATCH •
PERFECT FIT & MATCH • PERFECT FIT & MATCH • PERFECT FIT & MAT
MATCH • PERFECT FIT & MATCH • PERFECT FIT & MATCH • PERFECT



GORILLA™ LIGHTING

SOLAR & LOW VOLTAGE

Shown:
4" Solar Light
SLWHWH4W

Side Mount Solar Light
#SLSIDEW



Gorilla™ is a trademark of Homeland Vinyl Products, Inc.



SOLAR POST CAP LIGHTING

SMART CIRCUIT TECHNOLOGY
THE LATEST IN CIRCUIT TECHNOLOGY



REAL GLASS
WITH BEVELED LENS

REFLECTOR PLATE
EFFECTIVELY DISPERSES MORE LIGHT
THAN TRADITIONAL SOLAR LIGHTING

**EASY ACCESS TO
BATTERIES**
*SIMPLY REMOVE THE TOP

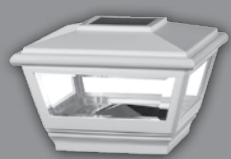
HAND MADE STAINED GLASS AND PLATED METAL TOP OPTIONS
MADE IN USA QUALITY PVC AND ASA MATERIAL
AESTHETICALLY PLEASING TAPERED FRAME
MATCH WITH WAYPOINT® STYLE TOPS AND/OR LOW VOLTAGE LIGHTING
*BATTERY ACCESS TO STAINED GLASS TOPS IS EVEN EASIER! SIMPLY LIFT UP ON SOLAR COLLECTOR.

Availability, specification and profile dimensions are subject to change without notice. Check with manufacturer before ordering. Waymark is a registered trademark of Waymark Products, LLC. Waypoint is an registered trademark of Waymark Products, LLC.

GORILLA™ LIGHTING, SOLAR-LOW VOLTAGE-TOPS

WAYPOINT® Solar Post Cap Lighting - White, Black, Copper and Stainless Top

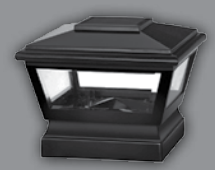
4" WAYPOINT® SOLAR LIGHT



DIMENSIONS: 4" x 4" x 4 3/4" H
 AVAILABLE 3.5" ADAPTER WILL ATTACH TO PVC,
 WOOD, METAL
BOX QTY: 12
BOX WEIGHT: 21 LBS.

Stock Colors & Part Numbers:
 WhiteSLWHWH4W - (Shown)
 BlackSLBKBK4BK
 Tan.....SLTT4T
 Adobe.....SLAA4A

5" WAYPOINT® SOLAR LIGHT

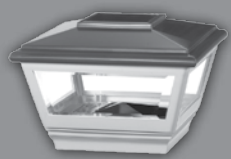


DIMENSIONS: 5" x 5" x 5 1/4" H

BOX QTY: 12
BOX WEIGHT: 22 LBS.

Stock Colors & Part Numbers:
 WhiteSLWHWH5W
 BlackSLBKBK5BK - (Shown)
 Tan.....SLTT5T
 Adobe.....SLAA5A

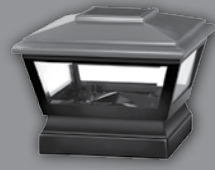
4" COPPER TOP WAYPOINT® SOLAR LIGHT



DIMENSIONS: 4" x 4" x 4 3/4" H
 AVAILABLE 3.5" ADAPTER WILL ATTACH TO PVC,
 WOOD, METAL
BOX QTY: 12
BOX WEIGHT: 21 LBS.

Stock Colors & Part Numbers:
 WhiteSLCOPWH4W - (Shown)
 BlackSLCOPBK4BK
 Tan.....SLCOPT4T
 Adobe.....SLCOPA4A

5" COPPER TOP WAYPOINT® SOLAR LIGHT

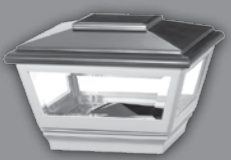


DIMENSIONS: 5" x 5" x 5 1/4" H

BOX QTY: 12
BOX WEIGHT: 22 LBS.

Stock Colors & Part Numbers:
 WhiteSLCOPWH5W
 BlackSLCOPBK5BK - (Shown)
 Tan.....SLCOPT5T
 Adobe.....SLCOPA5A

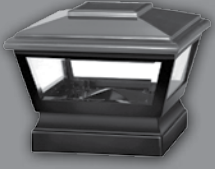
4" STAINLESS TOP WAYPOINT® SOLAR LIGHT



DIMENSIONS: 4" x 4" x 4 3/4" H
 AVAILABLE 3.5" ADAPTER WILL ATTACH TO PVC,
 WOOD, METAL
BOX QTY: 12
BOX WEIGHT: 21 LBS.

Stock Colors & Part Numbers:
 WhiteSLSTNWH4W - (Shown)
 BlackSLSTNBK4BK
 Tan.....SLSTNT4T
 Adobe.....SLSTNA4A

5" STAINLESS TOP WAYPOINT® SOLAR LIGHT



DIMENSIONS: 5" x 5" x 5 1/4" H

BOX QTY: 12
BOX WEIGHT: 22 LBS.

Stock Colors & Part Numbers:
 WhiteSLSTNWH5W
 BlackSLSTNBK5BK - (Shown)
 Tan.....SLSTNT5T
 Adobe.....SLSTNA5A

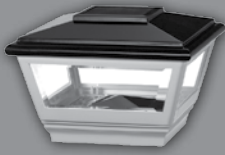
SIMPLY PULL UP ON THE SOLAR COLLECTOR FOR BATTERY ACCESS,
 NO NEED TO REMOVE ENTIRE LIGHT!

Availability, specification and profile dimensions are subject to change without notice. Check with manufacturer before ordering.
 Gorilla™ is a trademark of Homeland Vinyl Products, Inc. Waymark is a registered trademark of Waymark Products, LLC.
 Waypoint is a registered trademark of Waymark Products, LLC.

GORILLA™ LIGHTING, SOLAR-LOW VOLTAGE-TOPS

WAYPOINT® Solar Post Cap Lighting - Black, Pearl Top and Chestnut

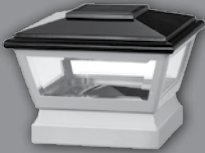
4" BLACK TOP WAYPOINT® SOLAR LIGHT WITH WHITE BASE



DIMENSIONS: 4" x 4" x 4 3/4" H
 AVAILABLE 3.5" ADAPTER WILL ATTACH TO PVC,
 WOOD, METAL
BOX QTY: 12
BOX WEIGHT: 21 LBS.

Stock Colors & Part Numbers:
 WhiteSLBKWH4W - (Shown)
 Tan.....SLBKT4T
 Adobe.....SLBKA4A

5" BLACK TOP WAYPOINT® SOLAR LIGHT WITH WHITE BASE

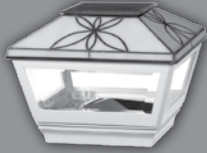


DIMENSIONS: 5" x 5" x 5 1/4" H

BOX QTY: 12
BOX WEIGHT: 22 LBS.

Stock Colors & Part Numbers:
 WhiteSLBKWH5W - (Shown)
 Tan.....SLBKT5T
 Adobe.....SLBKA5A

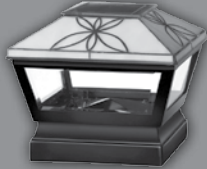
4" PEARL TOP WAYPOINT® SOLAR LIGHT WITH WHITE BASE



DIMENSIONS: 4" x 4" x 5" H
 AVAILABLE 3.5" ADAPTER WILL ATTACH TO PVC,
 WOOD, METAL
BOX QTY: 12
BOX WEIGHT: 25 LBS.

Stock Colors & Part Numbers:
 WhiteSLPRLWH4W - (Shown)
 Black.....SLPRLBK4BK
 Tan.....SLPRLT4T
 Adobe.....SLPRLA4A

5" PEARL TOP WAYPOINT® SOLAR LIGHT WITH BLACK BASE

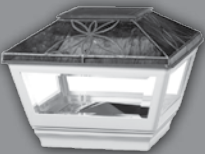


DIMENSIONS: 5" x 5" x 5 1/2" H

BOX QTY: 12
BOX WEIGHT: 26 LBS.

Stock Colors & Part Numbers:
 WhiteSLPRLWH5W
 Black.....SLPRLBK5BK- (Shown)
 Tan.....SLPRLT5T
 Adobe.....SLPRLA5A

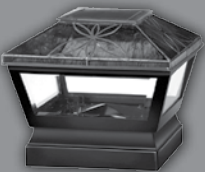
4" CHESTNUT TOP WAYPOINT® SOLAR LIGHT W/ WHITE BASE



DIMENSIONS: 4" x 4" x 5" H
 AVAILABLE 3.5" ADAPTER WILL ATTACH TO PVC,
 WOOD, METAL
BOX QTY: 12
BOX WEIGHT: 25 LBS.

Stock Colors & Part Numbers:
 WhiteSLCSTWH4W - (Shown)
 Black.....SLCSTBK4BK
 Tan.....SLCSTT4T
 Adobe.....SLCSTA4A

5" CHESTNUT TOP WAYPOINT® SOLAR LIGHT W/ BLACK BASE



DIMENSIONS: 5" x 5" x 5 1/4" H

BOX QTY: 12
BOX WEIGHT: 26 LBS.

Stock Colors & Part Numbers:
 WhiteSLCSTWH5W
 Black.....SLCSTBK5BK- (Shown)
 Tan.....SLCSTT5T
 Adobe.....SLCSTA5A

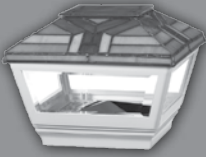
SIMPLY PULL UP ON THE SOLAR COLLECTOR FOR BATTERY ACCESS,
 NO NEED TO REMOVE ENTIRE LIGHT!

Availability, specification and profile dimensions are subject to change without notice. Check with manufacturer before ordering.
 Gorilla™ is a trademark of Homeland Vinyl Products, Inc. Waymark is a registered trademark of Waymark Products, LLC.
 Waypoint is an registered trademark of Waymark Products, LLC.

GORILLA™ LIGHTING, SOLAR-LOW VOLTAGE-TOPS

WAYPOINT® Solar Post Cap Lighting - Forest, Harvest and Sunflower Top

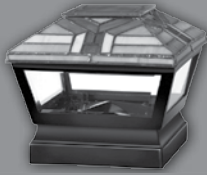
4" FOREST TOP WAYPOINT® SOLAR LIGHT W/ WHITE BASE



DIMENSIONS: 4" x 4" x 5" H
 AVAILABLE 3.5" ADAPTER WILL ATTACH TO PVC,
 WOOD, METAL
BOX QTY: 12
BOX WEIGHT: 25 LBS.

Stock Colors & Part Numbers:
 WhiteSLFORWH4W - (Shown)
 BlackSLFORBK4BK
 Tan.....SLFORT4T
 AdobeSLFORA4A

5" FOREST TOP WAYPOINT® SOLAR LIGHT W/ BLACK BASE

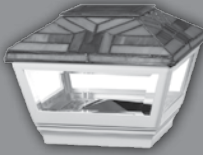


DIMENSIONS: 5" x 5" x 5 1/4" H

BOX QTY: 12
BOX WEIGHT: 26 LBS.

Stock Colors & Part Numbers:
 WhiteSLFORWH5W
 BlackSLFORBK5BK - (Shown)
 Tan.....SLFORT5T
 AdobeSLFORA5A

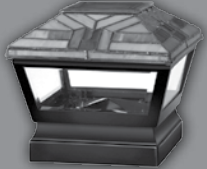
4" HARVEST TOP WAYPOINT® SOLAR LIGHT W/ WHITE BASE



DIMENSIONS: 4" x 4" x 5" H
 AVAILABLE 3.5" ADAPTER WILL ATTACH TO PVC,
 WOOD, METAL
BOX QTY: 12
BOX WEIGHT: 25 LBS.

Stock Colors & Part Numbers:
 WhiteSLHARWH4W - (Shown)
 BlackSLHARBK4BK
 Tan.....SLHART4T
 AdobeSLHARA4A

5" HARVEST TOP WAYPOINT® SOLAR LIGHT W/ BLACK BASE



DIMENSIONS: 5" x 5" x 5 1/4" H

BOX QTY: 12
BOX WEIGHT: 26 LBS.

Stock Colors & Part Numbers:
 WhiteSLHARWH5W
 BlackSLHARBK5BK - (Shown)
 Tan.....SLHART5T
 AdobeSLHARA5A

4" SUNFLOWER TOP WAYPOINT® SOLAR LIGHT W/ WHITE BASE



DIMENSIONS: 4" x 4" x 5" H
 AVAILABLE 3.5" ADAPTER WILL ATTACH TO PVC,
 WOOD, METAL
BOX QTY: 12
BOX WEIGHT: 25 LBS.

Stock Colors & Part Numbers:
 WhiteSLSNFWH4W - (Shown)
 BlackSLSNFBK4BK
 Tan.....SLSNFT4T
 AdobeSLSNFA4A

5" SUNFLOWER TOP WAYPOINT® SOLAR LIGHT W/ BLACK BASE



DIMENSIONS: 5" x 5" x 5 1/4" H

BOX QTY: 12
BOX WEIGHT: 26 LBS.

Stock Colors & Part Numbers:
 WhiteSLSNFWH5W
 BlackSLSNFBK5BK - (Shown)
 Tan.....SLSNFT5T
 AdobeSLSNFA5A

SIMPLY PULL UP ON THE SOLAR COLLECTOR FOR BATTERY ACCESS,
 NO NEED TO REMOVE ENTIRE LIGHT!

Availability, specification and profile dimensions are subject to change without notice. Check with manufacturer before ordering.
 Gorilla™ is a trademark of Homeland Vinyl Products, Inc. Waymark is a registered trademark of Waymark Products, LLC.
 Waypoint is a registered trademark of Waymark Products, LLC.

GORILLA™ LIGHTING, SOLAR-LOW VOLTAGE-TOPS

WAYPOINT® Solar Post Cap Lighting - Grape Top, Harbor, Circuits, Adapter, Batteries

4" GRAPE TOP WAYPOINT® SOLAR LIGHT W/ WHITE BASE



DIMENSIONS: 4" x 4" x 5" H
AVAILABLE 3.5" ADAPTER WILL ATTACH TO PVC, WOOD, METAL
BOX QTY: 12
BOX WEIGHT: 25 LBS.

Stock Colors & Part Numbers:
 WhiteSLGRPWH4W - (Shown)
 BlackSLGRPBK4BK
 Tan.....SLGRPT4T
 Adobe.....SLGRPA4A

5" GRAPE TOP WAYPOINT® SOLAR LIGHT W/ BLACK BASE



DIMENSIONS: 5" x 5" x 5 1/4" H
BOX QTY: 12
BOX WEIGHT: 26 LBS.

Stock Colors & Part Numbers:
 WhiteSLGRPWH5W
 BlackSLGRPBK5BK - (Shown)
 Tan.....SLGRPT5T
 Adobe.....SLGRPA5A

REPLACEMENT CIRCUIT FOR SOLID COLOR TOPS (NOT METAL)



FITS 4" AND 5" TOP
BOX QTY: 1

PART NUMBER: C-0113225

FITS 4" AND 5" SOLAR LIGHTS.
CIRCUIT IS REPLACED FROM UNDERSIDE OF COLOR TOPS

REPLACEMENT CIRCUIT FOR STAINED GLASS TOPS

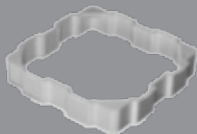


FITS 4" AND 5" TOP
BOX QTY: 1

PART NUMBER: C-134077

FITS 4" AND 5" SOLAR LIGHTS.
CIRCUIT IS REPLACED FROM TOP OF STAINED GLASS TOPS

3-1/2" SOLAR LIGHT ADAPTER



DIMENSIONS: 3 1/2" x 3 1/2"
BOX QTY: 1

PART NUMBER: SL35ADPTW
STOCK COLORS: WHITE
CUSTOM COLORS AVAILABLE: YES

FITS 4" TAPERED STYLE LIGHT

AA RECHARGEABLE BATTERIES



FITS ALL SOLAR CIRCUITS
BOX QTY: 50

PART NUMBER: C-215700
AA NICAD BATTERIES

WHEN REPLACING BATTERIES, MAKE SURE YOU INSTALL IN THE CORRECT ORIENTATION.

SIMPLY PULL UP ON THE SOLAR COLLECTOR FOR BATTERY ACCESS, NO NEED TO REMOVE ENTIRE LIGHT!

Availability, specification and profile dimensions are subject to change without notice. Check with manufacturer before ordering.
 Gorilla™ is a trademark of Homeland Vinyl Products, Inc. Waymark is a registered trademark of Waymark Products, LLC.
 Waypoint is an registered trademark of Waymark Products, LLC.



Low Voltage Lighting, High Margin Sales,

No Electrician Needed

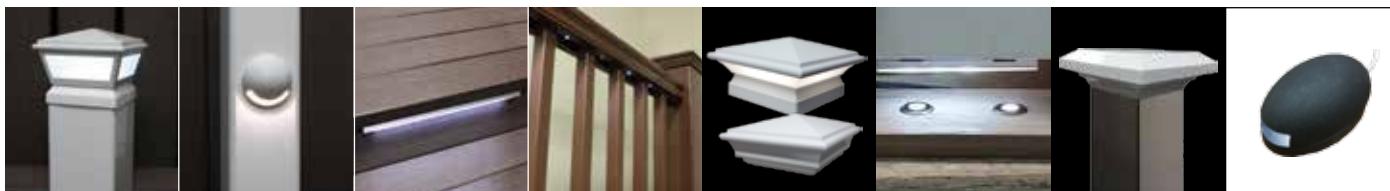
for Low Voltage Wiring!

The NEW Waypoint® Low Voltage Lighting System from Waymark® is easy to install using our innovative weather resistant connectors! Most components† have both a male and female end allowing you to plug one into the next and so on creating an easy to wire daisy chain lighting system.

Waymark® offers components for posts, decks, rails, stairs and fences as well as extension cords, junction boxes, transformers and splitters to complete your custom installation. No low voltage system is easier to install than Waypoint® Lighting by Waymark®!

WAYMARK ACCESSORIES

Female end shown with plug for weather resistant seal.



POST CAP
4" & 5"

POST SCONCE

24" STRIP LIGHT
INSTALLS UNDER STEPS

STAR BRIGHT
IN RAIL LIGHTING

POST CAP SLIM
4" & 5"

DECK STAR-BRIGHT MAX

POST CAPS
METAL RAILS

SCONCE FOR
METAL POSTS

Availability, specification and profile dimensions are subject to change without notice. Check with manufacturer before ordering. Waymark is a registered trademark of Waymark Products, LLC. Waypoint is an registered trademark of Waymark Products, LLC. † 24" light strip only has a male end and does not connect to another component.

HOMELAND VINYL PRODUCTS, Inc.

17-097-M1135

Homeland Profiles: 800.999.6813 | www.Homelandvinyl.com | Waymark Accessories: 877-652-6118

GORILLA™ LIGHTING, SOLAR-LOW VOLTAGE-TOPS

WAYPOINT® Low Voltage Post Cap Lighting - White, Black, Copper and Bronze Top

4" WHITE WAYPOINT® LOW VOLTAGE LIGHT



DIMENSIONS: 4" x 4" x 4 7/8" H
 AVAILABLE 3.5" ADAPTER WILL ATTACH TO PVC,
 WOOD, METAL
BOX QTY: 12
BOX WEIGHT: 21 LBS.

Stock Colors & Part Numbers:
 White LVXWHWH4W - (Shown)
 Black LVXBK4BK
 Tan..... LVXTT4T
 Adobe..... LVXAA4A
CORD LENGTH: 8"
 New Weather Resistant Daisy Chain Plug System

5" BLACK WAYPOINT® LOW VOLTAGE LIGHT



DIMENSIONS: 5" x 5" x 5 1/4" H
BOX QTY: 12
BOX WEIGHT: 22 LBS.

Stock Colors & Part Numbers:
 White LVXWHWH5W
 Black LVXBK5BK - (Shown)
 Tan..... LVXTT5T
 Adobe..... LVXAA5A
CORD LENGTH: 8"
 New Weather Resistant Daisy Chain Plug System

4" COPPER TOP WAYPOINT® LOW VOLTAGE LIGHT W/ WHITE BASE



DIMENSIONS: 4" x 4" x 5" H
 AVAILABLE 3.5" ADAPTER WILL ATTACH TO PVC,
 WOOD, METAL
BOX QTY: 12
BOX WEIGHT: 21 LBS.

Stock Colors & Part Numbers:
 White LVXCOPWH4W - (Shown)
 Black LVXCOPBK4BK
 Tan..... LVXCOP4T
 Adobe LVXCOPA4A
CORD LENGTH: 8"
 New Weather Resistant Daisy Chain Plug System

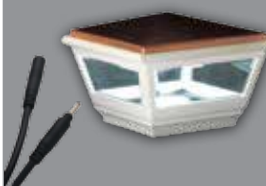
5" COPPER TOP WAYPOINT® LV LIGHT WITH BLACK BASE



DIMENSIONS: 5" x 5" x 5 3/8" H
BOX QTY: 12
BOX WEIGHT: 22 LBS.

Stock Colors & Part Numbers:
 White LVXCOPWH5W
 Black LVXCOPBK5BK - (Shown)
 Tan..... LVXCOP5T
 Adobe LVXCOPA5A
CORD LENGTH: 8"
 New Weather Resistant Daisy Chain Plug System

4" BRONZE TOP WAYPOINT® LOW VOLTAGE LIGHT W/ WHITE BASE



DIMENSIONS: 4" x 4" x 5" H
 AVAILABLE 3.5" ADAPTER WILL ATTACH TO PVC,
 WOOD, METAL
BOX QTY: 12
BOX WEIGHT: 21 LBS.

Stock Colors & Part Numbers:
 White LVXBRZWH4W - (Shown)
 Black LVXBRZBK4BK
 Tan..... LVXBRZT4T
 Adobe LVXBRZA4A
CORD LENGTH: 8"
 New Weather Resistant Daisy Chain Plug System

5" BRONZE TOP WAYPOINT® LV LIGHT WITH BLACK BASE



DIMENSIONS: 5" x 5" x 5 3/8" H
BOX QTY: 12
BOX WEIGHT: 22 LBS.


Stock Colors & Part Numbers:
 White LVXBRZWH5W
 Black LVXBRZBK5BK - (Shown)
 Tan..... LVXBRZT5T
 Adobe LVXBRZA5A
CORD LENGTH: 8"
 New Weather Resistant Daisy Chain Plug System

Availability, specification and profile dimensions are subject to change without notice. Check with manufacturer before ordering.
 Gorilla™ is a trademark of Homeland Vinyl Products, Inc. Waymark is a registered trademark of Waymark Products, LLC.
 Waypoint is an registered trademark of Waymark Products, LLC.

GORILLA™ LIGHTING, SOLAR-LOW VOLTAGE-TOPS

WAYPOINT® Low Voltage Post Cap Lighting - Stainless, Black and Pearl Top


4" STAINLESS TOP WAYPOINT® LV LIGHT W/ WHITE BASE



DIMENSIONS: 4" x 4" x 5" H
 AVAILABLE 3.5" ADAPTER WILL ATTACH TO PVC, WOOD, METAL
BOX QTY: 12
BOX WEIGHT: 21 LBS.

Stock Colors & Part Numbers:
 White LVXSTNWH4W - (Shown)
 Black LVXSTNBK4BK
 Tan..... LVXSTNT4T
 Adobe..... LVXSTNA4A
 CORD LENGTH: 8"
 New Weather Resistant Daisy Chain Plug System


5" STAINLESS TOP WAYPOINT® LV LIGHT W/ BLACK BASE



DIMENSIONS: 5" x 5" x 5 3/8" H
BOX QTY: 12
BOX WEIGHT: 22 LBS.

Stock Colors & Part Numbers:
 White LVXSTNWH5W
 Black LVXSTNBK5BK - (Shown)
 Tan..... LVXSTNT5T
 Adobe..... LVXSTNA5A
 CORD LENGTH: 8"
 New Weather Resistant Daisy Chain Plug System


4" BLACK TOP WAYPOINT® LV LIGHT WITH WHITE BASE



DIMENSIONS: 4" x 4" x 5" H
 AVAILABLE 3.5" ADAPTER WILL ATTACH TO PVC, WOOD, METAL
BOX QTY: 12
BOX WEIGHT: 21 LBS.

Stock Colors & Part Numbers:
 White LVXBKWH4W - (Shown)
 Tan..... LVXBKT4T
 Adobe..... LVXBKA4A
 CORD LENGTH: 8"
 New Weather Resistant Daisy Chain Plug System


5" BLACK TOP WAYPOINT® LV LIGHT WITH WHITE BASE



DIMENSIONS: 5" x 5" x 5 3/8" H
BOX QTY: 12
BOX WEIGHT: 22 LBS.

Stock Colors & Part Numbers:
 White LVXBKWH5W - (Shown)
 Tan..... LVXBKT5T
 Adobe..... LVXBKA5A
 CORD LENGTH: 8"
 New Weather Resistant Daisy Chain Plug System


4" PEARL TOP WAYPOINT® LV LIGHT WITH WHITE BASE



DIMENSIONS: 4" x 4" x 5" H
 AVAILABLE 3.5" ADAPTER WILL ATTACH TO PVC, WOOD, METAL
BOX QTY: 12
BOX WEIGHT: 25 LBS.

Stock Colors & Part Numbers:
 White LVXPRLWH4W
 Black LVXPRLBK4BK - (Shown)
 Tan..... LVXPRLT4T
 Adobe LVXPRLA4A
 CORD LENGTH: 8"
 New Weather Resistant Daisy Chain Plug System

5" PEARL TOP WAYPOINT® LV LIGHT WITH BLACK BASE



DIMENSIONS: 5" x 5" x 5 3/8" H
BOX QTY: 12
BOX WEIGHT: 26 LBS.

Stock Colors & Part Numbers:
 White LVXPRLWH5W
 Black LVXPRLBK5BK - (Shown)
 Tan..... LVXPRLT5T
 Adobe LVXPRLA5A
 CORD LENGTH: 8"
 New Weather Resistant Daisy Chain Plug System

Availability, specification and profile dimensions are subject to change without notice. Check with manufacturer before ordering.
 Gorilla™ is a trademark of Homeland Vinyl Products, Inc. Waymark is a registered trademark of Waymark Products, LLC.
 Waypoint is an registered trademark of Waymark Products, LLC.

GORILLA™ LIGHTING, SOLAR-LOW VOLTAGE-TOPS

WAYPOINT® Low Voltage Post Cap Lighting - Chestnut, Forest, and Harvest Top

4" CHESTNUT TOP WAYPOINT® LV LIGHT W/ WHITE BASE



DIMENSIONS: 4" x 4" x 5" H
 AVAILABLE 3.5" ADAPTER WILL ATTACH TO PVC,
 WOOD, METAL
BOX QTY: 12
BOX WEIGHT: 25 LBS.

Stock Colors & Part Numbers:
 White LVXCSTWH4W - (Shown)
 Black LVXCSTBK4BK
 Tan..... LVXCST4T
 Adobe..... LVXCSTA4A
CORD LENGTH: 8"
 New Weather Resistant Daisy Chain Plug System

5" CHESTNUT TOP WAYPOINT® LV LIGHT W/ BLACK BASE



DIMENSIONS: 5" x 5" x 5 3/8" H
BOX QTY: 12
BOX WEIGHT: 26 LBS.

Stock Colors & Part Numbers:
 White LVXCSTWH5W
 Black LVXCSTBK5BK - (Shown)
 Tan..... LVXCST5T
 Adobe..... LVXCSTA5A
CORD LENGTH: 8"
 New Weather Resistant Daisy Chain Plug System

4" FOREST TOP WAYPOINT® LV LIGHT W/ WHITE BASE



DIMENSIONS: 4" x 4" x 5" H
 AVAILABLE 3.5" ADAPTER WILL ATTACH TO PVC,
 WOOD, METAL
BOX QTY: 12
BOX WEIGHT: 25 LBS.

Stock Colors & Part Numbers:
 White LVXFORWH4W - (Shown)
 Black LVXFORBK4BK
 Tan..... LVXFORT4T
 Adobe..... LVXFORA4A
CORD LENGTH: 8"
 New Weather Resistant Daisy Chain Plug System

5" FOREST TOP WAYPOINT® LV LIGHT W/ BLACK BASE



DIMENSIONS: 5" x 5" x 5 3/8" H
BOX QTY: 12
BOX WEIGHT: 26 LBS.

Stock Colors & Part Numbers:
 White LVXFORWH5W
 Black LVXFORBK5BK - (Shown)
 Tan..... LVXFORT5T
 Adobe..... LVXFORA5A
CORD LENGTH: 8"
 New Weather Resistant Daisy Chain Plug System

4" HARVEST TOP WAYPOINT® LV LIGHT W/ WHITE BASE



DIMENSIONS: 4" x 4" x 5" H
 AVAILABLE 3.5" ADAPTER WILL ATTACH TO PVC,
 WOOD, METAL
BOX QTY: 12
BOX WEIGHT: 25 LBS.

Stock Colors & Part Numbers:
 White LVXHARWH4W - (Shown)
 Black LVXHARBK4BK
 Tan..... LVXHART4T
 Adobe..... LVXHARA4A
CORD LENGTH: 8"
 New Weather Resistant Daisy Chain Plug System

5" HARVEST TOP WAYPOINT® LV LIGHT W/ BLACK BASE



DIMENSIONS: 5" x 5" x 5 3/8" H
BOX QTY: 12
BOX WEIGHT: 26 LBS.

Stock Colors & Part Numbers:
 White LVXHARWH5W
 Black LVXHARBK5BK - (Shown)
 Tan..... LVXHART5T
 Adobe..... LVXHARA5A
CORD LENGTH: 8"
 New Weather Resistant Daisy Chain Plug System

Availability, specification and profile dimensions are subject to change without notice. Check with manufacturer before ordering.
 Gorilla™ is a trademark of Homeland Vinyl Products, Inc. Waymark is a registered trademark of Waymark Products, LLC.
 Waypoint is an registered trademark of Waymark Products, LLC.

GORILLA™ LIGHTING, SOLAR-LOW VOLTAGE-TOPS

WAYPOINT® Low Voltage Post Cap Lighting - Sunflower and Grape Top

4" SUNFLOWER TOP WAYPOINT® LV LIGHT W/ WHITE BASE



DIMENSIONS: 4" x 4" x 5" H
 AVAILABLE 3.5" ADAPTER WILL ATTACH TO PVC,
 WOOD, METAL
BOX QTY: 12
BOX WEIGHT: 25 LBS.

Stock Colors & Part Numbers:
 WhiteLVXSNFWH4W - (Shown)
 BlackLVXSNFBK4BK
 Tan.....LVXSNFT4T
 Adobe.....LVXSNFA4A
CORD LENGTH: 8"
 New Weather Resistant Daisy Chain Plug System

5" SUNFLOWER TOP WAYPOINT® LV LIGHT W/ BLACK BASE



DIMENSIONS: 5" x 5" x 5 3/8" H

BOX QTY: 12
BOX WEIGHT: 26 LBS.

Stock Colors & Part Numbers:
 WhiteLVXSNFWH5W
 BlackLVXSNFBK5BK - (Shown)
 Tan.....LVXSNFT5T
 Adobe.....LVXSNFA5A
CORD LENGTH: 8"
 New Weather Resistant Daisy Chain Plug System

4" GRAPE TOP WAYPOINT® LV LIGHT W/ WHITE BASE



DIMENSIONS: 4" x 4" x 5" H
 AVAILABLE 3.5" ADAPTER WILL ATTACH TO PVC,
 WOOD, METAL
BOX QTY: 12
BOX WEIGHT: 25 LBS.

Stock Colors & Part Numbers:
 WhiteLVXGRPWH4W - (Shown)
 BlackLVXGRPBK4BK
 Tan.....LVXGRPT4T
 Adobe.....LVXGRPA4A
CORD LENGTH: 8"
 New Weather Resistant Daisy Chain Plug System

5" GRAPE TOP WAYPOINT® LV LIGHT W/ BLACK BASE



DIMENSIONS: 5" x 5" x 5 3/8" H

BOX QTY: 12
BOX WEIGHT: 26 LBS.

Stock Colors & Part Numbers:
 WhiteLVXGRPWH5W
 BlackLVXGRPBK5BK - (Shown)
 Tan.....LVXGRPT5T
 Adobe.....LVXGRPA5A
CORD LENGTH: 8"
 New Weather Resistant Daisy Chain Plug System

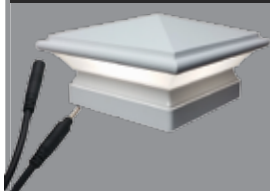
4" WAYPOINT® LV SLIM LIGHT W/ WHITE BASE



DIMENSIONS: 4" x 4" x 3" H
 AVAILABLE 3.5" ADAPTER WILL ATTACH TO PVC,
 WOOD, METAL
BOX QTY: 12
BOX WEIGHT: 25 LBS.

Stock Colors & Part Numbers:
 WhiteLVXWHSM4W - (Shown)
 BlackLVXWHSM4BK
 Tan.....LVXWHSM4T
 Adobe.....LVXWHSM4A
CORD LENGTH: 8"
 New Weather Resistant Daisy Chain Plug System

5" WAYPOINT® LV SLIM LIGHT W/ BLACK BASE



DIMENSIONS: 5" x 5" x 3 3/8" H

BOX QTY: 12
BOX WEIGHT: 26 LBS.

Stock Colors & Part Numbers:
 WhiteLVXWHSM5W - (Shown)
 BlackLVXWHSM5BK
 Tan.....LVXWHSM5T
 Adobe.....LVXWHSM5A
CORD LENGTH: 8"
 New Weather Resistant Daisy Chain Plug System

Availability, specification and profile dimensions are subject to change without notice. Check with manufacturer before ordering.
 Gorilla™ is a trademark of Homeland Vinyl Products, Inc. Waymark is a registered trademark of Waymark Products, LLC.
 Waypoint is an registered trademark of Waymark Products, LLC.

GORILLA™ LIGHTING, SOLAR-LOW VOLTAGE-TOPS

WAYPOINT® Low Voltage Lighting - Frosted Glass, Strip Light, Sconce and Cable

BEVELED FROSTED GLASS



REPLACES CLEAR GLASS TO SOFTEN THE EFFECT.

PART NUMBER: C-814552
STOCK COLORS: N/A

BOX QTY: 12 SETS
BOX WEIGHT: 6 LBS.

4 PCS. OF GLASS PER SET.
REPLACES GLASS IN LOW VOLTAGE LIGHTS.

STAR BRIGHT STAIR RISER, HOOD DIRECTS LIGHT DOWN



DIAMETER: 1/2"
CORD LENGTH: 12"
DRILL HOLE SIZE TO: 15/16" IN VINYL
DRILL HOLE SIZE TO: 1" IN WOOD/COMPOSITE

PART NUMBER: LVX125SRBK

CONNECTS TO A JUNCTION BOX, EXTENSION CORD OR DAISY CHAIN

BOX QTY: 25 (5 PER BAG)
BOX WEIGHT: 2 LBS.

ONLY USES .26W

STAR BRIGHT MAX LOW VOLTAGE DECK LIGHT



DIAMETER: 1/2"
CORD LENGTH: 12"
DRILL HOLE SIZE TO: 15/16" IN VINYL
DRILL HOLE SIZE TO: 1" IN WOOD/COMPOSITE

PART NUMBER: LV125MAX
INCLUDES BLACK AND BRONZE TRIM RING

CONNECTS TO A JUNCTION BOX, EXTENSION CORD OR DAISY CHAIN

BOX QTY: 25 (5 PER BAG)
BOX WEIGHT: 2 LBS.

ONLY USES .26W

STAR BRIGHT LOW VOLTAGE FLUSH MOUNT LIGHT



DIAMETER: 1/2"
CORD LENGTH: 12"
DRILL HOLE SIZE TO: 5/16"

PART NUMBER: LVX38MINI
STOCK COLORS: N/A

CONNECTS TO A JUNCTION BOX, EXTENSION CORD OR DAISY CHAIN

BOX QTY: 25 (5 PER BAG)
BOX WEIGHT: 2 LBS.

ONLY USES .3W

ALSO CAN BE USED ON METAL!

24" LOW VOLTAGE STRIP LIGHT



DIMENSIONS: 24" L
CORD LENGTH: 75"

PART NUMBER: LV2STRIP
LIGHT STAIR TREADS OR RAILING SECTIONS

CONNECTS TO A JUNCTION BOX OR EXTENSION CORD

BOX QTY: 6
BOX WEIGHT: 2 LBS.

ONLY USES 1.58W

ALSO CAN BE USED ON METAL!

LOW VOLTAGE SCONCE LIGHT



DIAMETER: 2 3/4"
CORD LENGTH: 33"

PART NUMBER: LVX234SC + W, BK, BRZ
STOCK COLORS: WHITE, BLACK, BRONZE

CONNECTS TO A JUNCTION BOX OR EXTENSION CORD

BOX QTY: 2
BOX WEIGHT: 1 LBS.

ONLY USES .53W

Availability, specification and profile dimensions are subject to change without notice. Check with manufacturer before ordering.
Gorilla™ is a trademark of Homeland Vinyl Products, Inc. Waymark is a registered trademark of Waymark Products, LLC.
Waypoint is a registered trademark of Waymark Products, LLC.

GORILLA™ LIGHTING, SOLAR-LOW VOLTAGE-TOPS

WAYPOINT® Low Voltage Lighting - Cable, Splitter, Transformer, Junction Box and Wiring

36" EXTENSION CABLE



DIMENSIONS: 36"
BOX QTY: 25
BOX WEIGHT: 1 LBS.

PART NUMBER: LVX3EXT
STOCK COLORS: N/A

REACH REMOTE LIGHTING LOCATIONS FROM YOUR LAST POWER SOURCE

108" EXTENSION CABLE



DIMENSIONS: 108"
BOX QTY: 25
BOX WEIGHT: 3 LBS.

PART NUMBER: LVX9EXT
STOCK COLORS: N/A

REACH REMOTE LIGHTING LOCATIONS FROM YOUR LAST POWER SOURCE

2 IN 1 SPLITTER



DIMENSIONS:
 3 Female ends / 1 Male end
 24" Long

BOX QTY: 25
BOX WEIGHT: 2 LBS.

PART NUMBER: LVX221SPLIT
STOCK COLORS: N/A

REACH REMOTE LIGHTING LOCATIONS FROM YOUR LAST POWER SOURCE
 REDUCES THE NEED FOR EXTRA WIRES.

120 WATT LOW VOLTAGE TRANSFORMER



DIMENSIONS: N/A
 RUN 16 GAUGE WIRE FROM TRANSFORMER TO FIRST JUNCTION BOX

BOX QTY: 1
BOX WEIGHT: 4 LBS.

PART NUMBER: LV120TRANSA
STOCK COLORS: N/A

12V AC TRANSFORMER
 PLUGS INTO ANY STANDARD 110V OUTLET
 TIMER HAS DIGITAL FUNCTIONS

4 OUTLET JUNCTION BOX



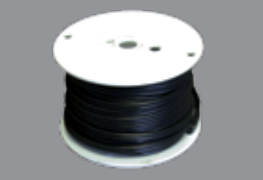
DIMENSIONS: 2 7/8" x 5/8" H

BOX QTY: 24
BOX WEIGHT: 1 LBS.

PART NUMBER: LVX4CON
STOCK COLORS: N/A

CONNECT UP TO 4 LIGHTS TO EACH JUNCTION BOX
 TOTAL CONNECT PER JUNCTION BOX IS UP TO 40W. 12W PER LINE

16 GAUGE LOW VOLTAGE WIRING



DIMENSIONS: 100'

BOX QTY: 1
BOX WEIGHT: 5 LBS.


PART NUMBER: LV100WR
STOCK COLORS: N/A


WIRE RUNS FROM TRANSFORMER TO EACH JUNCTION BOX

Availability, specification and profile dimensions are subject to change without notice. Check with manufacturer before ordering.
 Gorilla™ is a trademark of Homeland Vinyl Products, Inc. Waymark is a registered trademark of Waymark Products, LLC.
 Waypoint is an registered trademark of Waymark Products, LLC.

GORILLA™ LIGHTING, SOLAR-LOW VOLTAGE-TOPS

WAYPOINT® Low Voltage Lighting For Metal Fence






LOW VOLTAGE LIGHT FOR METAL		
	DIMENSIONS: 2.5" x 2.5"	PART NUMBER: LVX25PL + W, BK, BKX STOCK COLORS: WHITE, BLACK, TEXTURED BLACK
	BOX QTY: 24 BOX WEIGHT: 11 LBS	12 LED, 300mm CORD LENGTH: 8" New Weather Resistant Daisy Chain Plug System

LOW VOLTAGE SCNCE FOR METAL		
	DIMENSIONS: Oval	PART NUMBER: LVXOVSC + BK, BKX STOCK COLORS: BLACK, TEXTURED BLACK
	BOX QTY: 45 BOX WEIGHT: 7 LBS	CORD LENGTH: 8" New Weather Resistant Daisy Chain Plug System

Availability, specification and profile dimensions are subject to change without notice. Check with manufacturer before ordering.
 Gorilla™ is a trademark of Homeland Vinyl Products, Inc. Waymark is a registered trademark of Waymark Products, LLC.
 Waypoint is an registered trademark of Waymark Products, LLC.

GORILLA® WRAP

8 Piece Gorilla Post Wraps

	4" x 10' GORILLA® POST WRAP COVERAGE SLAT P57
	<p>COVERS: 4" x 10' PART NUMBER: W410SLAT + W, T, A STOCK COLORS: WHITE, TAN, ADOBE</p> <p>BOX QTY: 20 PIECES 4 CORNER PIECES AND 4 SLAT PIECES NEEDED TO COMPLETE 1 POST</p> <p>BOX WEIGHT: 21 LBS.</p>
	6" x 10' GORILLA® POST WRAP COVERAGE SLAT P57
	<p>COVERS: 6" x 10' PART NUMBER: W610SLAT + W, T, A STOCK COLORS: WHITE, TAN, ADOBE</p> <p>BOX QTY: 20 PIECES 4 CORNER PIECES AND 4 SLAT PIECES NEEDED TO COMPLETE 1 POST</p> <p>BOX WEIGHT: 43 LBS.</p>
	8" x 10' GORILLA® POST WRAP COVERAGE SLAT P57
	<p>COVERS: 8" x 10' PART NUMBER: W810SLAT + W, T, A STOCK COLORS: WHITE, TAN, ADOBE</p> <p>BOX QTY: 20 PIECES 4 CORNER PIECES AND 4 SLAT PIECES NEEDED TO COMPLETE 1 POST</p> <p>BOX WEIGHT: 69 LBS.</p>
	10" x 10' GORILLA® POST WRAP COVERAGE SLAT P57
	<p>COVERS: 10" x 10' PART NUMBER: W1010SLAT + W, T, A STOCK COLORS: WHITE, TAN, ADOBE</p> <p>BOX QTY: 20 PIECES 4 CORNER PIECES AND 4 SLAT PIECES NEEDED TO COMPLETE 1 POST</p> <p>BOX WEIGHT: 70 LBS.</p>
	12" x 10' GORILLA® POST WRAP COVERAGE SLAT P57
	<p>COVERS: 12" x 10' PART NUMBER: W1210SLAT + W, T, A STOCK COLORS: WHITE, TAN, ADOBE</p> <p>BOX QTY: 20 PIECES 4 CORNER PIECES AND 4 SLAT PIECES NEEDED TO COMPLETE 1 POST</p> <p>BOX WEIGHT: 110 LBS.</p>

Availability, specification and profile dimensions are subject to change without notice. Check with manufacturer before ordering.
 All dimensions are subject to manufacturer's tolerances. Gorilla® is a registered trademark of Homeland Vinyl Products, Inc.

PERFECT FIT & MATCH • PERFECT FIT & MATCH • PERFECT FIT & MATCH •
• PERFECT FIT & MATCH • PERFECT FIT & MATCH • PERFECT FIT & M
& MATCH • PERFECT FIT & MATCH • PERFECT FIT & MATCH • PERFE
PERFECT FIT & MATCH • PERFECT FIT & MATCH • PERFECT FIT & MATO
PERFECT FIT & MATCH • PERFECT FIT & MATCH • PERFECT FIT & MATCH
• PERFECT FIT & MATCH • PERFECT FIT & MATCH • PERFECT FIT & M
& MATCH • PERFECT FIT & MATCH • PERFECT FIT & MATCH • PERFE



GORILLA™ MOUNTS

PROFILES & ACCESSORIES

Shown:
38" SUMMIT® POST MOUNT
#PM384SM





SUMMIT® POST MOUNT SYSTEM

COMPONENT ATTRIBUTES:

ADJUSTABLE SOCKET:

- Plumb at the top of the post mount
- Attach socket to pipe
- Slide post sleeve over socket

SUMMIT® WRAP:

- Use bracket plate when attaching railing brackets
- Can be used for both 36" and 42" railing, one SKU for both heights
- "U" shaped insert fits over attached socket
- Slide post over mount
- Screw brackets to reinforced area

HEAVY GAUGE PIPE:

- Uses 1 7/8" OD pipe for every application
- Use heavy gauge pipe (SS40 or the equivalent) for code compliant railing
- Choose height and pipe gauge for your specific application: railing, fence, pergolas or arbors

DIE CAST BASE:

- Mounts to any surface
- No Shims
- Die Cast Zinc
- Solid connection to any decking or concrete surface



GORILLA™ MOUNTS -POST MOUNTS

Summit® Post Mount, Post Mount Components, Universal Hardware Kit

38" SUMMIT® POST MOUNT



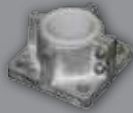
DIMENSIONS: 4" x 4" x 38"
MOUNT BOTH 36" AND 42" RAILING HEIGHTS
USE 3/8" FASTENERS - NOT INCLUDED

BOX QTY: 1
BOX WEIGHT: 10.5 LBS.
PALLET QTY: 75

PART NUMBER: PM384SM
STOCK COLORS: N/A

ENTIRE KIT INCLUDES POST MOUNT BASE, 2 PIECE POST SOCKET AND SCREW, PIPE, SUMMIT™ WRAP

SUMMIT® POST MOUNT BASE COMPONENT



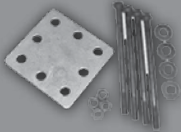
DIMENSIONS: 4" x 4"
FOR USE WITH 1 7/8" PIPE
USE 3/8" FASTENERS - NOT INCLUDED

BOX QTY: 18
BOX WEIGHT: 32 LBS.

PART NUMBER: PM178ZBASE
STOCK COLORS: N/A

MOUNTS TO DECK OR CONCRETE SURFACE EASILY AND ACCEPTS 1-7/8" OD PIPE OF VARIOUS LENGTHS TO INSTALL FENCE, RAILING OR OTHER OUTDOOR STRUCTURES.

UNIVERSAL HARDWARE KIT



DIMENSIONS: 4" x 4" PLATE

BOX QTY: 1
BOX WEIGHT: 5 LBS.

PART NUMBER: PMHARDKIT
STOCK COLORS: N/A

FOR USE WITH SUMMIT™ MOUNTS WHEN INSTALLING DECK APPLICATIONS

SUMMIT® WRAP



DIMENSIONS: 7 1/4" H
FOR USE ON 4" POSTS
EACH SIDE (3) IS 3 3/8" WIDE

BOX QTY: 35
BOX WEIGHT: 5.5 LBS.

PART NUMBER: PM44WRAP
STOCK COLORS: N/A

USE THIS PRODUCT WHEN ATTACHING BRACKETS OR HINGES FOR INCREASED FASTENER ENGAGEMENT

Availability, specification and profile dimensions are subject to change without notice. Check with manufacturer before ordering.
Gorilla™ is a trademark of Homeland Vinyl Products, Inc. Waymark is a registered trademark of Waymark Products, LLC.
Summit is an registered trademark of Waymark Products, LLC.


HOMELAND VINYL PRODUCTS, Inc.


17-097-M1135


Homeland Profiles: 800.999.6813 | www.Homelandvinyl.com | Waymark Accessories: 877-652-6118


GORILLA™ MOUNTS -POST MOUNTS

Post Sockets , Gorilla® Post Mounts

4" ADJUSTABLE 2-PIECE POST SOCKET - 1 7/8 PIPE	
	DIAMETER: 4" SLEEVE USING 4" x 4" POST .135 WALL OR LESS
	PART NUMBER: PS2PC4D178 STOCK COLORS: N/A
BOX QTY: 135 BOX WEIGHT: 34 LBS.	FOR USE WITH 1 7/8" OD STEEL PIPE.

5" ADJUSTABLE 2-PIECE POST SOCKET - 1 7/8 PIPE	
	DIAMETER: 5" SLEEVE USING 5" x 5" POST .150 WALL OR LESS
	PART NUMBER: PS2PC5D178 STOCK COLORS: N/A
BOX QTY: 100 BOX WEIGHT: 30 LBS.	FOR USE WITH 1 7/8" OD STEEL PIPE.

5" ADJUSTABLE 1-PIECE POST SOCKET - 1 7/8 PIPE	
	DIAMETER: 5" SLEEVE USING 5" x 5" POST .150 WALL OR LESS
	PART NUMBER: PS5DIAM STOCK COLORS: N/A
BOX QTY: 100 BOX WEIGHT: 36 LBS.	FOR USE WITH 1 7/8" OD STEEL PIPE.

4" POST MOUNT WITH WINGS		DROP SHIP ONLY
	DIMENSIONS: 4" x 4"	
	PART NUMBER: PM44WING STOCK COLORS: N/A	
BOX QTY: 34 BOX WEIGHT: 23 LBS.	ACCEPTS MOST WALL THICKNESSES	

5" POST MOUNT WITH WINGS		DROP SHIP ONLY
	DIMENSIONS: 5" x 5"	
	PART NUMBER: PM55WING STOCK COLORS: N/A	
BOX QTY: 26 BOX WEIGHT: 24 LBS.	ACCEPTS MOST WALL THICKNESSES	

Availability, specification and profile dimensions are subject to change without notice. Check with manufacturer before ordering.
Gorilla™ is a trademark of Homeland Vinyl Products, Inc. Waymark is a registered trademark of Waymark Products, LLC.
Summit is an registered trademark of Waymark Products, LLC.


HOMELAND VINYL PRODUCTS, Inc.

17-097-M1135


Homeland Profiles: 800.999.6813 | www.Homelandvinyl.com | Waymark Accessories: 877-652-6118

GORILLA™ MOUNTS -POST MOUNTS


Gorilla® Post Mounts

4" GORILLA® POST MOUNT WITH HARDWARE		
	DIMENSIONS: 4" x 4"	PART NUMBER: PM44GORW STOCK COLORS: N/A
	BOX QTY: 1 BOX WEIGHT: 4 LBS.	INCLUDES HARDWARE AND TRIM RING ACCEPTS MOST WALL THICKNESSES


**DROP
SHIP
ONLY**

4" GORILLA® POST MOUNT WITHOUT HARDWARE		
	DIMENSIONS: 4" x 4"	PART NUMBER: PM44GORWO STOCK COLORS: N/A
	BOX QTY: 9 BOX WEIGHT: 18 LBS.	ACCEPTS MOST WALL THICKNESSES

**DROP
SHIP
ONLY**

5" GORILLA® POST MOUNT WITH HARDWARE		
	DIMENSIONS: 5" x 5"	PART NUMBER: PM55GORW STOCK COLORS: N/A
	BOX QTY: 1 BOX WEIGHT: 5 LBS.	INCLUDES HARDWARE AND TRIM RING ACCEPTS MOST WALL THICKNESSES

**DROP
SHIP
ONLY**

5" GORILLA® POST MOUNT WITHOUT HARDWARE		
	DIMENSIONS: 5" x 5"	PART NUMBER: PM55GORWO STOCK COLORS: N/A
	BOX QTY: 6 BOX WEIGHT: 18 LBS.	ACCEPTS MOST WALL THICKNESSES

**DROP
SHIP
ONLY**

Availability, specification and profile dimensions are subject to change without notice. Check with manufacturer before ordering.
Gorilla™ is a trademark of Homeland Vinyl Products, Inc. Gorilla® is a registered trademark of Homeland Vinyl Products, Inc. Waymark is a registered trademark of Waymark Products, LLC. Summit is an registered trademark of Waymark Products, LLC.

GORILLA™ MOUNTS -POST MOUNTS

Gorilla® Post Mount Trim & Hardware Kit

VINYL WEDGE COMPONENT FOR GORILLA® MOUNT



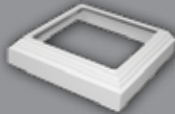
DIMENSIONS: 3" L x 1/4" H
1/4" IS AT HIGHEST POINT

PART NUMBER: WEDGE
STOCK COLORS: N/A

BOX QTY: 28
BOX WEIGHT: 3.5 LBS.

**DROP
SHIP
ONLY**

4" POST TRIM COMPONENT FOR GORILLA® MOUNT



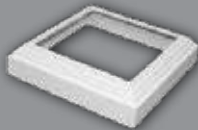
DIMENSIONS: 4" x 4"

PART NUMBER: TR44GOR + W, T, A
STOCK COLORS: WHITE, TAN, ADOBE

BOX QTY: 39
BOX WEIGHT: 11 LBS.

**DROP
SHIP
ONLY**

5" POST TRIM COMPONENT FOR GORILLA® MOUNT



DIMENSIONS: 5" x 5"

PART NUMBER: TR55GOR + W, T, A
STOCK COLORS: WHITE, TAN, ADOBE

BOX QTY: 29
BOX WEIGHT: 10 LBS.

**DROP
SHIP
ONLY**

HARDWARE KIT FOR GORILLA® MOUNT



DIMENSIONS: 4" x 4" PLATE

PART NUMBER: PMGORHARDK
STOCK COLORS: N/A

BOX QTY: 1
BOX WEIGHT: 5.6 LBS.

INCLUDES 2 SHIMS, 2 MOUNTING PLATES,
SCREWS, BOLTS AND ALL-THREAD ROD

**DROP
SHIP
ONLY**

Availability, specification and profile dimensions are subject to change without notice. Check with manufacturer before ordering.
Gorilla™ is a trademark of Homeland Vinyl Products, Inc. Gorilla® is a registered trademark of Homeland Vinyl Products, Inc. Waymark is a registered trademark of Waymark Products, LLC. Summit is an registered trademark of Waymark Products, LLC.

HOMELAND VINYL PRODUCTS, Inc.

17-097-M1135

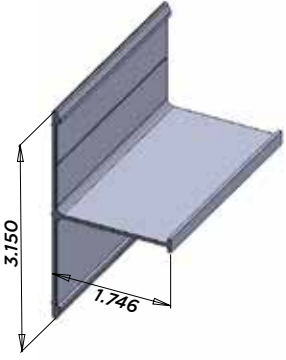
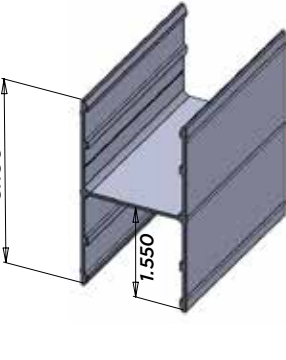
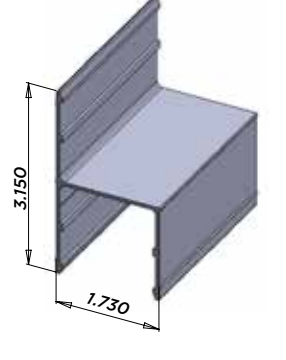
Homeland Profiles: 800.999.6813 | www.Homelandvinyl.com | Waymark Accessories: 877-652-6118

INSERT STIFFENER ALUMINUM INSERT

	<p>5" X 5" ALUMINUM INSERT</p> <p>G10HA288-69243 5" x 5"</p> <p>24' Lengths Per Piece</p>
	<p>4" X 4" ALUMINUM INSERT</p> <p>G12HA288-69312 4" x 4"</p> <p>24' Lengths Per Piece</p>
	<p>2" X 3-1/2" & T-RAIL P32, 36</p> <p>G24PA288-69227 2" x 3-1/2" & T-Rail</p> <p>24' Lengths 120 Pieces per Bundle</p>

Availability, specification and profile dimensions are subject to change without notice. Check with manufacturer before ordering. All dimensions are subject to manufacturer's tolerances.

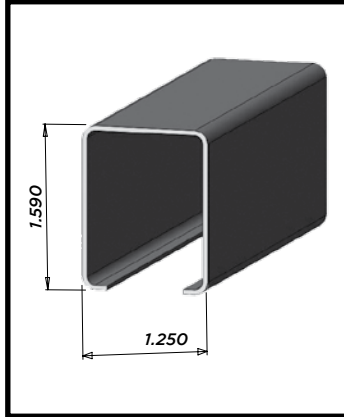
INSERT STIFFENER ALUMINUM INSERT

	<p>T-BOTTOM RAIL P32, 36</p> <p>G24TA096-55028 T-Bottom Rail</p> <p>72", 96" Lengths For bottom rail only 120 Pieces per Bundle</p>
	<p>H-RAIL - ALUMINUM INSERT P32, 36</p> <p>G24HA096-55026 H-Rail</p> <p>96" Lengths For top rail only 120 Pieces per Bundle</p>
	<p>SMALL H - ALUMINUM INSERT P32, 36</p> <p>G24hA072-55027 Small h</p> <p>72" Lengths For top rail only 120 Pieces per Bundle</p>

Availability, specification and profile dimensions are subject to change without notice. Check with manufacturer before ordering.
All dimensions are subject to manufacturer's tolerances.

INSERT STIFFENER

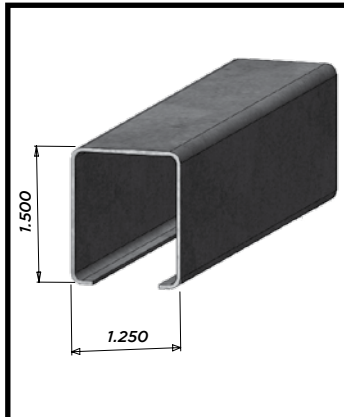
ALUMINUM INSERTS, STEEL INSERTS



STEEL INSERT - POCKET RAIL

G3RFH121-18
Steel Insert - Pocket Rail
18 Gage
400 Pieces Per Bundle

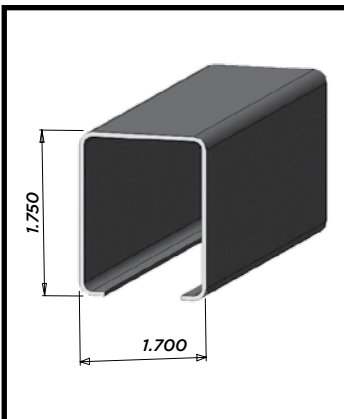
AL- 93" (G3RFH121-18-93)
UT- 71" (G3RFH121-18-71)



STEEL INSERT - MID RAIL

G3RFM147-18
Steel Insert - Mid Rail
18 Gage
400 Pieces Per Bundle

AL- 93" (G3RFM147-18-93)
UT- 71" (G3RFM147-18-71)



STEEL INSERT - 2" RAIL

G3RFH148-18
Steel Insert - 2" Rail
18 Gage
400 Pieces Per Bundle

AL- 93" (G3RFH148-18-93)
UT- 71" (G3RFH148-18-71)

Availability, specification and profile dimensions are subject to change without notice. Check with manufacturer before ordering.
All dimensions are subject to manufacturer's tolerances.

PERFECT FIT & MATCH • PERFECT FIT & MATCH • PERFECT FIT & MATCH •
• PERFECT FIT & MATCH • PERFECT FIT & MATCH • PERFECT FIT & M
& MATCH • PERFECT FIT & MATCH • PERFECT FIT & MATCH • PERFECT
PERFECT FIT & MATCH • PERFECT FIT & MATCH • PERFECT FIT & MATCH
PERFECT FIT & MATCH • PERFECT FIT & MATCH • PERFECT FIT & MATCH
• PERFECT FIT & MATCH • PERFECT FIT & MATCH • PERFECT FIT & M
& MATCH • PERFECT FIT & MATCH • PERFECT FIT & MATCH • PERFECT

MISCELLANEOUS



MISCELLANEOUS - FASTENERS AND ADHESIVES

Rivets, Router Bits & Rail Lock

7/8" DOME HEAD STYLE RIVET



DIMENSIONS: 3/16" x 7/8"

PART NUMBER: F875RIVET + P, W, T
STOCK COLORS: STANDARD, WHITE, TAN

BOX QTY: 500
BOX WEIGHT: 2 LBS.

GRIP RANGE APPROXIMATELY .040-.350

1" DOME HEAD STYLE RIVET



DIMENSIONS: 3/16" x 1"

PART NUMBER: F1RIVET + P, W, T
STOCK COLORS: STANDARD, WHITE, TAN

BOX QTY: 500
BOX WEIGHT: 2 LBS.

GRIP RANGE APPROXIMATELY .150-.460

1/4" SINGLE FLUTE CARBIDE ROUTER BIT



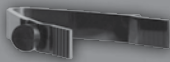
DIAMETER: 1/4"
LENGTH: 2 1/2"

PART NUMBER: T1/4ROUT
STOCK COLORS: N/A

BOX QTY: 1
BOX WEIGHT: .03 LBS.

HIGH QUALITY

RAIL LOCK



FOR USE ON 1 1/2", 1 3/4"
OR 2" RAIL WIDTH


PART NUMBER: RL15LOCK
STOCK COLORS: N/A


BOX QTY: 500
BOX WEIGHT: 15 LBS.


USED IN PLACE OF NOTCHING. DRILL 1/2" HOLE IN
RAIL, INSTALL LOCK AND SLIDE RAIL INTO POST.

MISCELLANEOUS - FASTENERS AND ADHESIVES

PVC Glue, Compound

8 OZ. PVC GLUE		
	DIMENSIONS: N/A	PART NUMBER: G8OZTUBE + W, C STOCK COLORS: WHITE, CLEAR
	BOX QTY: 8 BOX WEIGHT: 13 LBS.	SPECIFICALLY FORMULATED FOR PVC APPLICATIONS, UV PROTECTED, SETS UP QUICKLY, LONG SHELF LIFE.

1.5 OZ. PVC GLUE		
	DIMENSIONS: N/A	PART NUMBER: G15OZTUBE + W, C STOCK COLORS: WHITE, CLEAR
	BOX QTY: 24 BOX WEIGHT: 3 LBS.	SPECIFICALLY FORMULATED FOR PVC APPLICATIONS, UV PROTECTED, SETS UP QUICKLY, LONG SHELF LIFE.

PIPE FITTING RETAINING COMPOUND		P42
	FOR 2HR APPLICATIONS EASILY BIND 90 DEGREE RETURNS, ADJUSTABLE JOINERS AND ALUMINUM WALL MOUNTS	PART NUMBER: HR2MLRC STOCK COLORS: N/A
	BOX QTY: 1 (6 TUBES PER BOX) BOX WEIGHT: 0.5 LBS.	6 TUBES WILL DO APPROXIMATELY 24 90 DEGREE POST RETURNS

Availability, specification and profile dimensions are subject to change without notice. Check with manufacturer before ordering.
Waymark is a registered trademark of Waymark Products, LLC.

INDEX

Product and Descriptions	Part #	Page #	Product and Descriptions	Part #	Page #
ADHESIVES - PAGES 59, 120			GORILLA® FENCE, PRIVACY FENCE - PAGES 19-20		
8 OZ. PVC Glue.....	G8OZTUBE.....	96	6" Aluminum Joiner Kit with Screws.....	HR6JOINA.....	42
1.5 OZ. PVC Glue.....	G15OZTUBE.....	96	5.75" Adjustable Joiner.....	HR575ADJA.....	42
Pipe Fitting Retaining Compound.....	HR2MLRC.....	42, 96	Pipe Fitting Retaining Compound.....	HR2MLRC.....	42, 96
END CAPS - PAGE 21			GORILLA® GUARD RAIL PROFILES & ACCESSORIES		
2" x 3-1/2" Internal End Cap.....	EC235.....	21	2"x3-1/2" & Deck-Over Rail System.....		31
2" x 3-1/2" External End Cap.....	EEC235.....	21	2" x 3-1/2" Hollow Standard Rail.....	F24C.....	31, 35
1-1/2" x 5-1/2" Internal End Cap.....	EC1555.....	21	2" x 3-1/2" Hollow Utility Rail.....	F24E.....	31, 35
2" x 6" Internal End Cap.....	EC260.....	21	Summit® T-Rail System.....		35
2" x 6" External End Cap.....	EEC260.....	21	3-1/2" Gorilla® T-Rail.....	F35C.....	35
FENCE RAILS - PAGES 14-15			2" x 3-1/2" Hollow Standard Rail.....	F24C.....	31, 35
2" X 8" Hollow Rail.....	F20S.....	14	2" x 3-1/2" Hollow Utility Rail.....	F24E.....	31, 35
2" X 8" Ribbed Rail.....	F20R.....	14	Summit® T-Rail System.....		35
2" X 6" Hollow Rail.....	F22E.....	14	3-1/2" Gorilla® T-Rail.....	F35C.....	35
2" X 6" Ribbed Rail.....	F22C.....	14	2" x 3-1/2" Hollow Standard Rail.....	F24C.....	31, 35
1-1/2" x 5-1/2" Hollow Rail.....	F27S.....	15	2" x 3-1/2" Hollow Utility Rail.....	F24E.....	31, 35
1-1/2" x 5-1/2" Ribbed.....	F27C.....	15	HANDRAIL BRACKETS - PAGES 33 - 34, 37-38		
1-1/2" x 5-1/2" Ribbed.....	F27E.....	15	2" x 3-1/2" Summit® Rail Bracket.....	BL235S.....	33, 37
1-1/2" x 5-1/2" Utility Value Rail.....	F27M.....	15	2" x 3-1/2" Summit® Stair Bracket.....	BS235S.....	33, 37
1-3/4" x 3-1/2" Hollow Standard Rail.....	F25B.....	15	Replacement Summit® 2" x 3-1/2" Bracket Trim Cover.....	BRC235S.....	33
GATE BRACE - PAGE 17			Replacement Summit® 2" x 3-1/2" Stair Bracket Trim Cover.....	BSC235S.....	33
Gate Support Brace.....	F86S.....	17	22 1/2 Degree Summit® Adapter.....	BA225S.....	33, 38
GATE HARDWARE - PAGES 27 - 29			45 Degree Summit® Adapter.....	BA45S.....	33, 38
36" Mild Steel Drop Rod.....	H36RODMS.....	27	8" Summit® Column Adapter.....	BA8CS.....	33, 38
36" Stainless Steel Drop Rod.....	H36RODSS.....	27	Deck-Over Summit® Bracket.....	BLDOVS.....	34
Mild Steel Corner Hinge Set.....	HHNGMS.....	27	Deck-Over Summit® Stair Bracket.....	BSDOVS.....	34
Stainless Steel Corner Hinge Set.....	HHNGSS.....	27	Summit® Deck Board Railing Attachment Kit.....	B35DBRD.....	34
Corner Hinge Hex Adjust Self-Closing Stainless Steel.....	HXSCSS.....	28	Deck-Over Summit® Field Cut Adapter.....	BAFCDOV.....	34
2" U-Hinge Hex Adjust Self-Closing Stainless Steel.....	H2UXSCSS.....	28	22 1/2 Degree Deck-Over Summit® Adapter.....	BA225DOV.....	34
Corner Hinge Hex Adjust Self-Closing Mild Steel.....	HXSCMS.....	28	45 Degree Deck-Over Summit® Adapter.....	BA45DOV.....	34
2" U-Hinge Hex Adjust Self-Closing Mild Steel.....	H2UXSCMS.....	28	8" Summit® Deck-Over Column Adapter.....	BA8CDOV.....	34
Large Mild Steel Paddle Latch.....	HLRGPADMS.....	29	HOLE PLUGS - PAGE 22		
Large Stainless Steel Paddle Latch.....	HLRGPADSS.....	29	5/8" Hole Plug.....	HP5/8.....	22
Reinforced Mild Steel Paddle Latch.....	HRIFPADMS.....	29	1-1/4" Hole Plug.....	HP125.....	22
Reinforced Stainless Steel Paddle Latch.....	HRIFPADSS.....	29	1-1/2" x 5-1/2" Decorative Hole Plug.....	HP1555.....	22
Small Aluminum Paddle Latch.....	HSMLPADDA.....	29	INSERTS - PAGES 32, 36, 91 - 93		
Small Stainless Steel Paddle Latch.....	HSMLPADSS.....	29	5" x 5" Aluminum Insert.....	G10HA288-69243.....	91
GATE POCKETS - PAGES 22 - 23			4" x 4" Aluminum Insert.....	G12HA288-69312.....	91
2-1/8" x 2-3/4" x 4" Gate Pocket.....	GP218X234.....	22	2" X 3-1/2" & T-Rail.....	G24PA288-69227.....	32, 36, 91
1-3/4" x 3-1/2" x 4" Gate Pocket.....	GP17535X4.....	22	T-Bottom Rail Insert.....	G24TA096-55028.....	32, 36, 92
2" x 3-1/2" x 4" Gate Pocket.....	GP235X4.....	22	H-Rail - Aluminum Insert.....	G24HA096-55026.....	32, 36, 92
1-3/4" x 5-1/2" x 4" Deco Gate Pocket.....	GP17555X4.....	23	Small H - Aluminum Insert.....	G24HA072-55027.....	32, 36, 92
1-1/2" x 5-1/2" x 4" Gate Pocket.....	GP1555X4.....	23	Steel Insert - Pocket Rail.....	G3RFH121-18.....	93
2" x 6" x 4" Gate Pocket.....	GP26X4.....	23	Steel Insert - Mid Rail.....	G3RFM147-18.....	93
2" x 7" x 4" Gate Pocket.....	GP27X4.....	23	Steel Insert - 2" Rail.....	G3RFH148-18.....	93
GORILLA® GRAB RAIL - SUMMIT® SECONDARY HANDRAIL - PAGES 39 - 42			LATTICE - PAGE 18		
8'8" Handrail with Aluminum Insert.....	HR88RAIL.....	40	4' x 8' Classic Lattice.....	L4X8CLS.....	18
3" Offset Aluminum Mounting Bracket.....	HR3BRAKA.....	40	4' x 8' Privacy Lattice.....	L4X8PRV.....	18
1" Handrail End Cap.....	HR1ECAP.....	40	1' x 8' Pre-Cut Classic Lattice - Pallet...LPRECUT.....		18
3" Offset 90 Degree Aluminum Post Return.....	HR90RETA.....	40	1' x 8' Pre-Cut Classic Lattice - Boxed...LCUTBOX.....		18
Straight Aluminum Wall Mount.....	HR134SWMA.....	40	LATTICE CHANNEL - PAGE 17		
90 Degree Outside Corner.....	HR90OUTCR.....	40	1-1/2" Lattice Channel.....	F88S.....	17
6" Inside Corner Mounting Bracket.....	HR6INBKA.....	41	3/4" Lattice Channel.....	F89S.....	17
1-1/2" Beauty Ring.....	HR15BR.....	41	LOW VOLTAGE TOPS & ACCESSORIES - PAGES 74 - 82		
90 Degree Inside Corner.....	HR90INCR.....	41	4" White Waypoint® Low Voltage Light.....	reference page.....	76
32 Degree Stair Elbow.....	HR32ELBW.....	41			
34 Degree Stair Elbow.....	HR34ELBW.....	41			
36 Degree Stair Elbow.....	HR36ELBW.....	41			
5 Degree Handicap Elbow.....	HR5ELBOW.....	42			
180 Degree Post Return.....	HR180PR.....	42			
Handicap Loop.....	HR12LOOP.....	42			

INDEX

Product and Descriptions Part # Page #

5" Black Waypoint® Low Voltage Light	reference page	76
4" Copper Top Waypoint® Low Voltage Light Light w/White Base	reference page	76
5" Copper Top Waypoint® Low Voltage Light Light w/Black Base	reference page	76
4" Bronze Top Waypoint® Low Voltage Light w/White Base	reference page	76
5" Bronze Top Waypoint® Low Voltage Light w/Black Base	reference page	76
4" Stainless Top Waypoint® Low Voltage Light w/White Base	reference page	77
5" Stainless Top Waypoint® Low Voltage Light w/Black Base	reference page	77
4" Black Top Waypoint® Low Voltage Light w/White Base	reference page	77
5" Black Top Waypoint® Low Voltage Light w/White Base	reference page	77
4" Pearl Top Waypoint® Low Voltage Light w/White Base	reference page	77
5" Pearl Top Waypoint® Low Voltage Light w/Black Base	reference page	77
4" Chestnut Top Waypoint® Low Voltage Light w/White Base	reference page	78
5" Chestnut Top Waypoint® Low Voltage Light w/Black Base	reference page	78
4" Forest Top Waypoint® Low Voltage Light w/White Base	reference page	78
5" Forest Top Waypoint® Low Voltage Light w/Black Base	reference page	78
4" Harvest Top Waypoint® Low Voltage Light w/White Base	reference page	78
5" Harvest Top Waypoint® Low Voltage Light w/Black Base	reference page	78
4" Sunflower Top Waypoint® Low Voltage Light w/White Base	reference page	79
5" Sunflower Top Waypoint® Low Voltage Light w/Black Base	reference page	79
4" Grape Top Waypoint® Low Voltage Light w/White Base	reference page	79
5" Grape Top Waypoint® Low Voltage Light w/Black Base	reference page	79
4" Waypoint® LV Slim Light w/White Base	reference page	79
5" Waypoint® LV Slim Light w/White Base	reference page	79
Beveled Frosted Glass	C-814552	80
Star Bright Stair Riser	L VX125SRBK	80
Star Bright Max Low Voltage Deck Light	L VX125MAX	80
Star Bright Low Voltage Flush Mount Light	L VX38MINI	80
24" Low Voltage Strip Light	L V2STRIP	80
Low Voltage Sconce Light	L VX234SC	80
36" Extension Cable	L VX3EXT	81
108" Extension Cable	L VX9EXT	81
2 in 1 Splitter	L VX221SPLIT	81
120 Watt Low Voltage Transformer	L V120TRANSA	81
4 Outlet Junction Box	L VX4CON	81
16 Gauge Low Voltage Wiring	L V100WR	81
Low Voltage Light for Metal	L VX25PL	82
Low Voltage Sconce for Metal	L VXOVSC	82

MATRIX PLATE, TRIM & TORPEDO - PAGES 54 - 55

Gorilla® Matrix Mounting Plate w/Bushing & Trim	BR88UCM	54
5" x 5" Square Column Trim	TR55CT	54
6-1/2" x 6-1/2" Square Column Trim	TR6565CT	54
8" x 8" Square Column Trim	TR88CT	54
6-5/8" Round Column Trim	TR658RCT	54
8.4" Round Column Trim	TR84RCT	54
5" to 6-1/2" Transition Column Trim	TR565TCT	55
Gorilla® Torpedo	Coming Soon	55

PICKETS - PAGES 44 - 46

1-3/4"x1-3/4" Standard Pickets	F41S	44
--------------------------------------	------------	----

Product and Descriptions Part # Page #

1-1/2" x 1-1/2" Gorilla® Pickets	F42H	44
1-1/2" x 1-1/2" Standard Pickets	F42S	44
1-3/8" x 1-3/8" Gorilla® Pickets	F43H	45
1-3/8"x1-3/8" Standard Pickets	F43C	45
1-1/4" x 1-1/4" Standard Pickets	F44S	44
1" x 1" Standard Pickets	F45S	45
7/8" x 1-1/2" Standard Pickets	F65S	45
7/8" X 3" Standard Pickets	F57C	46
7/8" x 3" Gorilla® Pickets	F57H	46
1" x 2" Standard Pickets	F48S	46
2" x 3-1/2" Hollow Standard Rail	F24C	31, 35, 46
2" x 3-1/2" Hollow Utility Rail	F24E	31, 35, 46

PERGOLA ACCESSORIES - PAGE 55

Gorilla Torpedo	Coming Soon	55
Pergola Plate	Coming Soon	55
Pergola U-Bracket	Coming Soon	55
Adjustable Pergola Clips	Coming Soon	55

PICKET CAPS - PAGE 47

7/8" x 1-1/2" PVC Spade Picket Cap	P7815S	47
1-3/8" PVC Sharp Picket Cap	P138SH	47
1-1/2" PVC Sharp Picket Cap	P1515SH	47
7/8" x 3" PVC Dog Ear Picket Cap	P783DE	47
7/8" x 3" PVC Spade Picket Cap	P783S	47
2" PVC Square Picket Cap	P22SQRE	47

POCKET RAILS - PAGES 11-13, 25

1-1/2" x 8" Gorilla® Pocket Rail	F3P1	11
1-3/4" x 5-1/2" Nexus® Mid-Rail	F3PM	11, 20
2" x 7" Keystone West Pocket Rail	FKW7	11
2" x 7" Keystone East Pocket Rail	FKE7	11
1-3/4" x 5-1/2" Gorilla® Pocket Rail	F37C	12
1-3/4" x 5-1/2" Nexus® Pocket Rail	F3P5	12
1-1/2" x 5-1/2" Gorilla® Pocket Rail	F32G	12, 20
1-3/4" x 3-1/2" Nexus® Pocket Rail	F3P3	12

POSTS - PAGES 52, 60 - 62

8" x 8" Gorilla® T&G	TR88CB	52, 60
6-1/2" x 6-1/2" Gorilla® Post	F08S	52, 60
6" x 6" Standard Post	F09C	60
5" x 5" Standard Post	F10C	52, 61
5" x 5" Utility Post	F10E	52, 61
5" x 5" Utility Ranch Post	F10J	52, 61
5" x 5" Gorilla® Post	F10K	52, 61
4" x 4" Gorilla® Post	F12C	61
4" x 4" Standard Post	F12N	61
4" x 4" Utility Post	F12E	61
4" x 4" Value Post	F12V	61
3-1/2" x 3-1/2" Utility Post	F13E	62
3-1/4" x 3-1/4" Standard Post	F15S	62
3" x 3" Co-Ex Standard Post	F14C	62

POST CAPS - PAGES 64 - 66

4" External PVC Pyramid Cap	C44PYRA	64
4" External Short Lip PVC Pyramid Cap	C44SHRT	64
5" External PVC Pyramid Cap	C55PYRA	64
6-1/2" External PVC Pyramid Cap	C65PYRA	64
8" External PVC Pyramid Cap	C88HORSE	64
4" Internal PVC Pyramid Cap	C44IPYRA	64
5" Internal PVC Pyramid Cap	C55IPYRA	65
4" PVC New England Cap	C44NE	65
5" PVC New England Cap	C55NE	65
4" PVC Classic Cap	C44CLS	65
5" PVC Classic Cap	C55CLS	65
4" PVC Gothic Cap	C44GOTH	65
5" PVC Gothic Cap	C55GOTH	66
1-3/8" PVC Gothic Cap Square External	P138GOTH	66
6" PVC Dental Cap	C66DENT	66
6-1/2" PVC Dental Cap	C65DENT	66

INDEX

Product and Descriptions Part # Page #

Product and Descriptions Part # Page #

POST MOUNTS, GORILLA® MOUNTS, & ACCESSORIES

- PAGE 84 - 89

38" Summit® Post MountPM384SM86
 Summit® Post Mount
 Base ComponentPM178ZBASE86
 Universal Hardware KitPMHARDKIT86
 Summit® WrapPM44WRAP86
 4" Post Mount with WingsPM44WING87
 5" Post Mount with WingsPM55WING87
 4" Gorilla® Post Mount
 with HardwarePM44GORW88
 4" Gorilla® Post Mount
 without HardwarePM44GORWO88
 5" Gorilla® Post Mount
 with HardwarePM55GORW88
 5" Gorilla® Post Mount
 without HardwarePM55GORW088
 Vinyl Wedge Component
 for Gorilla® MountWedge89
 4" Post Trim Component
 for Gorilla® MountTR44GOR89
 5" Post Trim Component
 for Gorilla® MountTR55GOR89
 Hardware Kit for Gorilla® MountPMGORHARDK89

POST SOCKETS - PAGE 87

4" Adjustable 2-Piece
 Post Socket - 1-7/8" PipePS2PC4D17887
 5" Adjustable 2-Piece
 Post Socket - 1-7/8" PipePS2PC5D17887
 5" Adjustable 1-Piece
 Post Socket - 1-7/8" PipePS5DIAM87

POST WRAPS - PAGES 57 - 58, 83

1-3/4" x 10' Gorilla® Post Wrap
 Corner TrimW17510CRN57
 4" x 10' Gorilla® Post Wrap
 Coverage SlatW410SLAT57, 83
 6" x 10' Gorilla® Post Wrap
 Coverage SlatW610SLAT57, 83
 8" x 10' Gorilla® Post Wrap
 Coverage SlatW810SLAT57, 83
 10" x 10' Gorilla® Post Wrap
 Coverage SlatW1010SLAT57, 83
 12" x 10' Gorilla® Post Wrap
 Coverage SlatW1210SLAT57, 83
 4" x 4" x 10' Gorilla® Post Wrap -
 4 PieceW410BOX58
 6" x 6" x 10' Gorilla® Post Wrap -
 4 PieceW610BOX58

PRIVACY PICKETS - PAGES 13, 19

7/8" x 11.3" Gorilla® T&GF61S13
 7/8" x 11.3" Gorilla® Locking PicketF61L13
 7/8" x 6" Gorilla® T&GF54G13, 19
 7/8" x 6" Homewood® T&GF54C13, 19
 7/8" x 6" Ribbed StandardF56R13

RAIL FOOT - PAGE 49

Adjustable Rail FootRF13849

RAIL LOCK - PAGE 95

Rail LockRL15LOCK95

RIVETS - PAGE 95

7/8" Dome Head Style RivetF875RIVET95
 1" Dome Head Style RivetF1RIVET95

RAIL MOUNTS - PAGE 24

1-1/2" x 5-1/2" Internal Rail MountRM155524
 1-3/4" x 5-1/2" Internal Rail MountRM1755524
 2" x 3-1/2" Internal Rail MountRM23524
 2" x 6" Internal Rail MountRM26024
 1-1/2" TO 2" W and 5-1/2" TO 7" H

Adjustable External Rail Mount
 w/ScrewsRMEADJ24

ROTATING FENCE PICKETS - PAGE 26

Horizontal Rotating Louver KitRP786HW26
 Vertical Rotating Louver KitRP786VW26
 Custom Rotating Louver KitECR786W26

ROUND COLUMNS & BASE - PAGES 53

8.40" Round ColumnTD8453
 6.625" Round ColumnTD6453

ROUTER BIT - PAGE 95

1/4" Single Flute Carbide
 Router BitT1/4ROUT95

SOLAR POST CAPS & ACCESSORIES - PAGES 69 - 74

4" Waypoint® Solar Lightreference page71
 5" Waypoint® Solar Lightreference page71
 4" Copper Top Waypoint® Solar Lightreference page71
 5" Copper Top Waypoint® Solar Lightreference page71
 4" Stainless Top Waypoint®
 Solar Lightreference page71
 5" Stainless Top Waypoint®
 Solar Lightreference page71
 4" Black Top Waypoint®
 Solar Light with White Basereference page72
 5" Black Top Waypoint®
 Solar Light with White Basereference page72
 4" Pearl Top Waypoint®
 Solar Light with White Basereference page72
 5" Pearl Top Waypoint®
 Solar Light with Black Basereference page72
 4" Chestnut Top Waypoint®
 Solar Light with White Basereference page72
 5" Chestnut Top Waypoint®
 Solar Light with Black Basereference page72
 4" Forest Top Waypoint®
 Solar Light with White Basereference page73
 5" Forest Top Waypoint®
 Solar Light with White Basereference page73
 4" Harvest Top Waypoint®
 Solar Light with White Basereference page73
 5" Harvest Top Waypoint®
 Solar Light with Black Basereference page73
 4" Sunflower Top Waypoint®
 Solar Light with White Basereference page73
 5" Sunflower Top Waypoint®
 Solar Light with Black Basereference page73
 4" Grape Top Waypoint®
 Solar Light with White Basereference page74
 5" Grape Top Waypoint®
 Solar Light with White Basereference page74
 Replacement Circuit for Solid
 Color Tops (Not Metal)C-011322574
 Replacement Circuit for
 Stained Glass TopsC-13407774
 3-1/2 Solar Light AdaptorSL35ADPTW74
 AA Rechargeable BatteriesC-21570074

TRIM RINGS & POST SKIRTS - PAGES 48 - 50

4" New England Trim RingTR44NE48
 5" New England Trim RingTR55NE48
 4" 2-Piece New England Trim RingTR442PCNE48
 4" Classic Trim RingTR44CLS48
 5" Classic Trim RingTR55CLS48
 4" Low Trim RingTR44LT48
 4" Multi-Trim RingTR45MT49
 5" Multi-Trim RingTR565MT49
 4" to 6" Adjustable Trim Ring
 (4-Piece)TR46ADJ49
 4" to 6" Adjustable Trim Ring
 (4-Piece) Small RadiusTR46WAD49, 58
 6-1/2" to 12" Adjustable Trim Ring
 (4-Piece)TR6512ADJ49

INDEX

Product and Descriptions Part # Page #	Product and Descriptions Part # Page #
6" Dental Post Skirt..... TR66DENT50	5" Copper Waypoint® Top CM55TOPCOP67
6-1/2" Dental Post Skirt..... TR6565DENT50	4" Stainless Waypoint® Top..... CM44TOPSTN67
8"x 8" or 6.5" x 6.5" Column Base, Trim & Transition..... TR865CB50	5" Stainless Waypoint® Top..... CM55TOPSTN67
8"x 8" Column Base Only TR88CB50	4" Bronze Waypoint® Top..... CM44TOPBRZ67
TRIM CHANNEL - PAGE 16	5" Bronze Waypoint® Top..... CM55TOPBRZ67
7/8" Trim Channel..... F83U16	4" Pearl Waypoint® Top CG44TOPPRL68
U-CHANNEL - PAGE 16	5" Pearl Waypoint® Top CG55TOPPRL68
7/8" U-Channel Standard..... F83S16	4" Chestnut Waypoint® Top..... CG44TOPCST68
WAYPOINT® TOPS - PAGES 67 - 68	5" Chestnut Waypoint® Top..... CG55TOPCST68
4" Black Waypoint® Top..... CM44TOPBK67	4" Forest Waypoint® Top CG44TOPFOR68
5" Black Waypoint® Top..... CM55TOPBK67	5" Forest Waypoint® Top CG55TOPFOR68
4" Copper Waypoint® Top CM44TOPCOP67	4" Harvest Waypoint® Top..... CG44TOPHAR68
	5" Harvest Waypoint® Top..... CG55TOPHAR68
	4" Sunflower Waypoint® Top..... CG44TOPSNF68
	5" Sunflower Waypoint® Top..... CG55TOPSNF68
	4" Grape Waypoint® Top CG44TOPGRP68
	5" Grape Waypoint® Top CG55TOPGRP68

UPDATES

April 7, 2017:

Page 11

Added Honey Maple Option to 2" x 7" Keystone West Pocket Rail
