

# Post Light 12v LED Post Cap Frosted Lens Inserts

## Installation Guide

1. Remove Post Cap Top by popping locking pins out of Post Cap assembly (Fig. 1).
2. Remove glass retaining ring and set it aside (Fig. 2).
3. Carefully slide clear lens inserts out (Fig. 2) and replace with frosted lens inserts (Fig. 3).
4. Reinsert glass retaining ring.
5. Attach Post Cap Top making sure to align locking pins.

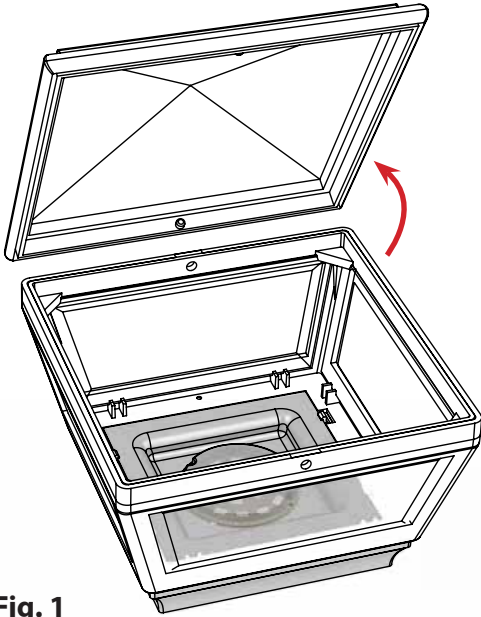


Fig. 1

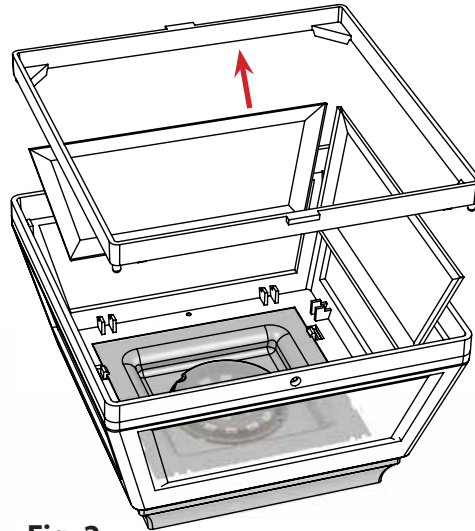


Fig. 2

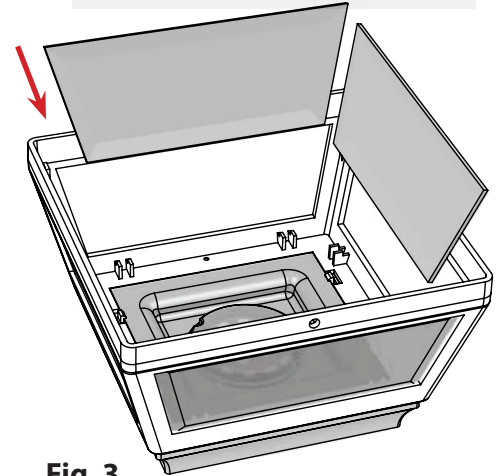


Fig. 3

05-16-18