



Merchants Metals[®]

the first name in fence solutions

2020 CATALOG

PROFILE EXTRUSIONS & INSERTS

Updated 4-17-20

20-108- M1135-20MM



Why try to fit a **SQUARE PEG** into a **ROUND HOLE?**



HOMELAND AND WAYMARK ARE THE "PERFECT MATCH".

Homeland® and Waymark® work together to manufacture railing systems.

Waymark's Summit brackets are designed for a "right fit" to Homeland's railing profiles. Other companies manufacture their accessories with an oversize corner radius limiting the range of compatibility to other profiles. By combining Homeland profiles with Waymark accessories your caps and brackets will look beautiful and will not stick out as a "piece-together" project.

Systems are tested for ICC Building Code compliance

Homeland and Waymark have invested into the safety of products by extensively testing Deck and Rail systems for International Building Code compliance. This is backed by our Quality Assurance program and third party audits. We believe that your railing project should not be compromised with profiles and accessories that have not been tested as a system.

Homeland and Waymark are color matched

Are you tired of buying accessories from a company where the colors do not match your profiles? Waymark products, through quality control systems, are virtually color matched to Homeland's profiles. Your caps, brackets, lattice, columns, posts, and spindles will be the right color match to all Homeland profiles.

That's why we say, Homeland and Waymark sell systems...not accessories!

www.HomelandVinyl.com



Loyalty Program - Homeland & Waymark

Ask your sales representative about customer loyalty programs to save you money on a wide selection of profiles and matching accessories.



800-999-6813
info@homelandvinyl.com

HomelandVinyl.com



877-652-6118
sales@waymarkproducts.com

WaymarkProducts.com



19-200

Table of Contents

| | |
|---|---|
| 3..... Homeland Company Statement | Rails..... 13 |
| 4..... Item Key | Gorilla Fence..... 17 |
| 5..... ACCU-Shield, Homewood & Declaration of Principles | 18..... Gorilla Guard Rail Systems |
| 6..... Made To Order (MTO) Program | 2"x3-1/2" Rail 19 |
| 7..... Fabrication Guidelines | Summit T-Rail..... 19 |
| 8..... Fence Profiles | 20..... Pickets |
| Pocket Rail 9 | 25..... Gorilla Post |
| Privacy Pickets 11 | 29..... Insert / Stiffeners |
| | 33..... Index |
| | 33..... Notes |

HOMELAND VINYL

COMPANY STATEMENT

Homeland Vinyl Products, Inc. is dedicated to delivering high quality products and excellent service to our customers without exception. We understand the importance of our customers' success in the Fence, Deck, Railing and Outdoor Living Products markets. We value our relationships with our customers and pledge that we will operate at the highest level of integrity.

CUSTOMER ACCOUNTS

All customers are required to complete an Application for Trade Account and update it periodically. This application requires the signature of a Corporate Officer, Managing Member, Partner or Owner. Homeland Vinyl Products, Inc. only sells wholesale. Customers are required to provide a copy of their company's sales tax exemption certificate or resale certificate before any sale can be initiated. Customers are further required to provide Homeland Vinyl Products, Inc. updated sales tax exemption or resale certificates upon expiration of the initial certificate provided. Standard terms are payment in full by electronic check, wire transfer, or credit card at time of shipment. Payments can be made at HomelandVinyl.com. Customers requesting credit terms must submit financial information. Credit terms are net 30 days subject to the approval of Homeland® based on financial data provided, credit checks, and payment history. Credit terms are subject to change. Customer accounts outside of agreed terms are subject to being placed On Hold with shipments held until the account is satisfied. Accounts not paid within terms will be charged interest at the rate of 1.5% per month. Prices are subject to change without notice.

PLACING ORDERS

All orders are subject to acceptance and approval. All orders must be submitted in writing by fax or email to Homeland Vinyl Products, Inc. All product orders must be clearly identified by part number, color, detailed description, and quantity. Illegible orders will not be accepted. All orders will be confirmed in writing with the Terms and Conditions of Sale before acceptance. Confirmed orders cannot be canceled without authorization. Please contact a Homeland® Customer Service Representative for additional order information and requirements.

SHIPMENT OF ORDERS / DAMAGE OR SHORTAGES

Homeland® ships products from the factory and from distribution centers. Homeland reserves the right to ship its customers the products they ordered from any location. All prices are F.O.B. point of shipment. The customer is responsible for reviewing all order confirmations for the correct customer shipping address. Homeland strives to find the cheapest reliable shipping method for all orders. Homeland is not responsible for delays in delivery when caused by strikes, fires, accidents, Acts of God, or other forces outside of Homeland's control. Please contact a Homeland Customer Service Representative for your specific needs and additional shipping information.

All shipments received should be immediately inspected by the customer. All dents, tears, breakages, or other visible damage to both packaging materials and products should be noted on the shipping documents with a copy given to the freight carrier and a copy sent to Homeland. Damages or lost product due to shipping must be reported and claimed from the freight carrier. All claims of material shortages or damaged goods must be made within 48 hours of customer's receipt of products.

RETURNED GOODS POLICY

All returns of products must have the prior written approval of an authorized representative of Homeland®, must be for justifiable reasons, and must be within 60 days of receipt of product. Customers requesting to return products must submit in writing in advance of return a detailed list of the materials to be returned, date of purchase, invoice number, and reason for return. Custom and special order items will not be accepted for return. Do not return any items without a return authorization. All returned material must be shipped to the plant location from which the shipment originated. The material must be freight prepaid and include a list of the products returned and a copy of the Homeland return authorization. Returned products must be received by Homeland in same packaging and condition as originally sent and are subject to our Warehouse Manager’s count and inspection. **Any credits issued for approved returns will be based on the invoice price of the returned products at time of purchase by customer less a restocking charge of 20%.**

LIMITED WARRANTY

Homeland® warrants that the products we manufacture are free of defects in materials and workmanship. Products distributed by Homeland, but not manufactured by Homeland, are covered under the original manufacturer’s warranty. Please contact a Homeland Customer Service Representative for specific information on the warranty of the Homeland products you wish to purchase. Additional warranty information is detailed in the Terms and Conditions on the back of each invoice.

TERMS AND CONDITIONS OF SALE ARE SPECIFIED WITH ORDER CONFIRMATION AND DETAILED ON THE FRONT AND BACK OF EVERY INVOICE.



Quick Tip: Understanding our Homeland part numbers

ITEM KEY EXPLANATION

COLOR CODES

W – White **Y - Honey Maple** **D - Adobe** **I - Chai Gray**
T - Tan **O - Mocha Walnut** **U - Green Teak**

(See next page for Gray and Beige ordering guidelines)

INVENTORY CODES

| | | | |
|----------------|--------------|------------------|-------------------|
| F54U | W | 064 | 346 |
| <i>Profile</i> | <i>Color</i> | <i>Length</i> | <i>Pieces</i> |
| <i>Code</i> | <i>Code</i> | <i>in Inches</i> | <i>per Bundle</i> |

Refer to profile sheet to obtain the profile code for the product you are ordering. Always review your order confirmation with descriptions to ensure order accuracy.

When ordering a length that is fractional, use the following list to determine the proper code for the length you require.

| | | | |
|-----------------|-----------------|-----------------|-------------------|
| 1/4" - A | 1/2" - B | 3/4" - C | 1/8" - D |
| 3/8" - E | 5/8" - F | 7/8" - G | 11/16" - H |

Example: 64-1/2" would be 64B



Not all Vinyl Is Created Equal!

Homeland® manufactures the toughest PVC profiles with the most advanced UV protection under the sun, our ACCU-Shield® formulation. ACCU-Shield is our protective outer layer

engineered to significantly reduce oxidation and the damaging effects of the sun's ultraviolet rays. Even in harsh climates, ACCU-Shield protects the color and sheen of our products for a longer period of time. Simply put, there is no better protection under the sun than ACCU-Shield.



Homeland's® Natural Selection of Colors

Inspired By Nature, Engineered By Homeland!

Homewood® is Homeland® Vinyl's exclusive blend of colors that can redefine a simple backyard into a beautiful oasis. Our vast pallet of pleasing colors with random variegated patterns are inspired by nature and engineered by Homeland. This unique blend more closely emulates the natural look of wood and will complement any building exterior. Eliminate the exhausting upkeep and usual limitations of wood

with a freshly painted appearance that lasts for years.

Available in Homeland's Fence, Deck, and Rail profiles. Mix and match from our Homewood collection to bring a unique style and taste to any backyard paradise.

Our Homewood blends are richer in color and more natural in look than other vinyl offerings.



Declaration of Principles Fence, Deck, and Rail Business

Homeland Vinyl Products, Inc. is committed to the highest standards of quality in its Fence, Deck, and Rail business - both in the products it manufactures and the manner in which its business is conducted. Since Homeland's success is directly linked to the success of its customers, Homeland pledges to develop, fabricate and market innovative and successful vinyl fence, deck, and rail products. Our commitment to our customers has three major components:

Product Quality Innovation and Leadership Customer Service and Support

Through quality, innovation, and an unwavering commitment to customer satisfaction, Homeland Vinyl Products, Inc. is building a secure and prosperous future for itself and its customers.

MADE TO ORDER “MTO” PROGRAM

Some profiles and lengths are only available as “Made To Order” (MTO) and will only be produced as can be reasonably accommodated. Typical requirements for MTO requests are listed below but are subject to change. All MTO requests are subject to Customer Service approval and Production acceptance.

MTO Classification

- I. **Special Lengths:**
*Requires a 12 bundle minimum of one profile, one color, and only one length.
No stock. Must ship within 30 days of completion or will be invoiced. Twice yearly max.*

- II. **Proprietary and Exclusivity Profiles:**
*By special arrangement and typically run no more than once or twice a year.
Dependent upon volume orders. Must ship within 30 days of completion or
will be invoiced. No stock.*

- III. **Special and Low Volume Profiles:**
*Typically run once or twice a year.
Standard lengths and colors only.
No special lengths.*

Contact your Homeland representative for information on the MTO program. MTO item requests must be submitted in writing via e-mail or fax. Not all requests can be accommodated.

Customer Account must be in good standing and current before MTO requests will be considered. MTO requests are not accepted until approved and confirmed in writing. Special Terms and Conditions of Sale apply to all MTO requests accepted as orders. Once confirmed, the order cannot be canceled by customer. Orders must ship complete once ready, leaving no back-orders. Your Homeland Representative will try to accommodate reasonable requests, but completed MTO orders must ship within 30 days of completion or will be invoiced. Consult your Homeland representative for additional details.

Minimum purchase quantity required of the same profile and color for all MTO items. Requirements vary. See the attached profile sheets or contact your Homeland representative for additional details.

Lead-times for “Made To Order” items cannot be estimated until requests have been approved and confirmed. Due to in the infrequent running of MTO items, and depending on the item, it may be a number of weeks before an answer on an MTO request can be given. “Made To Order” items may only be produced a very limited number of times per year. Please plan ahead and make any MTO requests as early as possible to take advantage of each production run on MTO profiles.

Details and requirements of this program are subject to change without notice.

FABRICATION GUIDELINES

Homeland Vinyl Products does not warranty bowing of pickets. Please make sure of proper installation to reduce all of the factors mentioned.

1. Make sure all metal stiffeners are in the correct orientation for the rail as used.
2. Make sure all rails are notched.
3. U-channel trim must be screwed to the post to help stabilize T&G boards.
4. Do not use any clear wrapping or shrink wrap on fence for storage or transportation. Make sure any wrap or protection of the fence or profiles does not absorb and retain heat. It will cause warping.
5. Product expansion and contraction is temperature dependent and will vary more in longer lengths and darker colors. Please take this into account during installation.
6. Do not store or install product next to a heat source.
7. Avoid installing the product near reflective surfaces (e.g. glass windows and glass doors), which can concentrate sunlight and heat the product.
8. Avoid installing the product on or adjacent to concrete, asphalt, or dark-colored gravel.
9. Make sure rail ends have at least 1 inch clearance of each other when inserted into posts for 6' spans, and

at least 1.5 inch clearance on 8' spans. This will allow for adequate expansion and contraction of rails within the posts and prevent bowing.

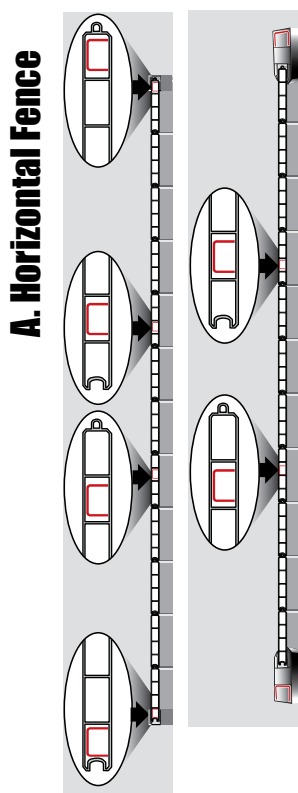
10. Do not put dirt or mulch against rails. It could cause rails to permanently bow out.

11. **CAUTION** - Make sure pickets are cut for adequate clearance within the rail pocket to allow for thermal expansion. If the pickets are binding against the rail, they will cause excessive bowing with thermal expansion. When dealing with installation on slopes, ensure that there is adequate clearance for pickets inside of the rail and cut picket at a slight angle if necessary.

In addition to guidelines 1-11, please consider the following information regarding EverGuard series of products:

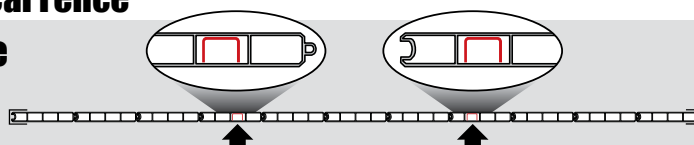
1. Metal stiffeners must be used in all rails for the EverGuard series of product.
2. Midrail or Merchants Metals approved metal picket stiffeners must be used to reduce T&G bowing.
3. Scratches will be more evident in darker colors. Use caution when transporting and installing the products.

Insert Placement & Orientation

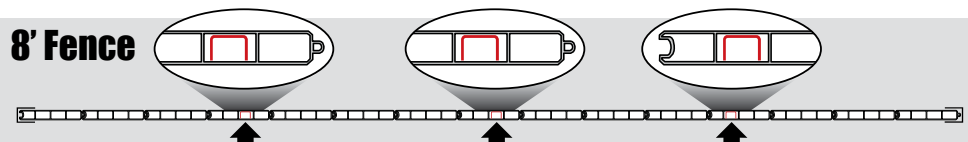


B. Vertical Fence

6' Fence

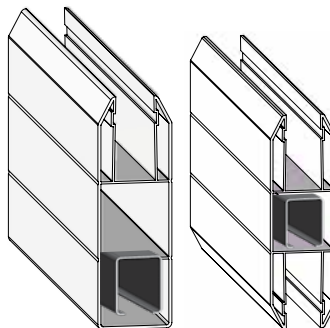


8' Fence



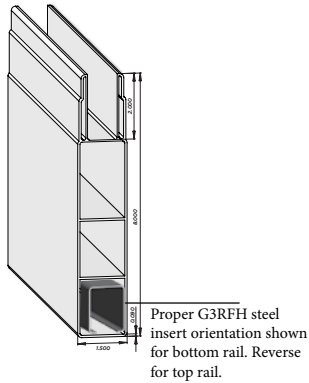
C. Can be used for: 5-1/2", 7" and 8" Nexus or Gorilla Pocket Rail & Mid-Rail

Proper steel insert orientation shown for bottom rail. Reverse for top rail.



PRIVACY FENCE POCKET RAIL

1-1/2" X 8" GORILLA® POCKET RAIL



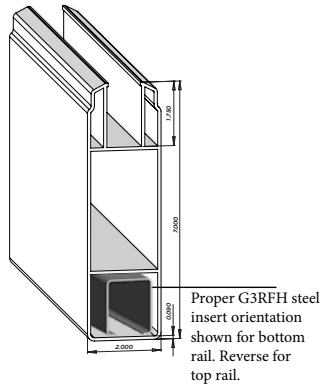
F3P1
1-1/2" x 8" Gorilla® Pocket Rail
(7/8" x 2" Pocket)
Pcs/Pallet: 72

NJ - 94"
UT - 71-1/2", 76", 83", 16', 94"
FL - 70", 94" (Stocked in FL)

F3P1 NJ, RUN ONLY ONCE OR TWICE YEARLY.

W=White, T=Tan, D=Adobe

2" X 7" KEYSTONE WEST POCKET RAIL



FKW7
2"x 7" Keystone West Pocket Rail
(7/8" x 1 3/4" Pocket)
Pcs/Pallet: 66

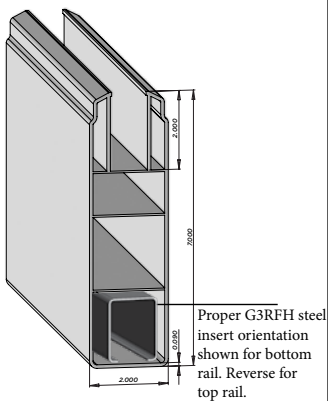
UT - 94", 16'

HOMEWOOD OPTION FKW7 ONLY
O=Mocha Walnut, Y=Honey Maple,
I=Chai Gray, U=Green Teak

FKW7
Pcs/Pallet: 66
UT - 94" , - Honey Maple Only

W=White, T=Tan, D=Adobe, Y=Honey Maple

2" X 7" KEYSTONE EAST POCKET RAIL



FKE7
2"x 7" Keystone East Pocket Rail
(7/8" x 2" Pocket)
Pcs/Pallet: 66
AL - 94", 16'

FKE7 LIMITED AVAILABILITY.
RUN ONLY ONCE OR TWICE YEARLY.

W=White, T=Tan, D=Adobe

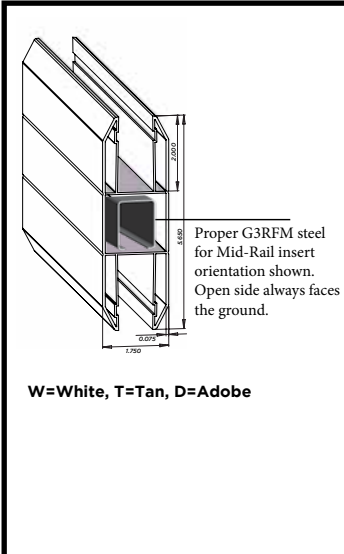
Availability, specification and profile dimensions are subject to change without notice. Check with manufacturer before ordering.
 All dimensions are subject to manufacturer's tolerances. Nexus® is a registered trademark of Homeland Vinyl Products, Inc.
 Gorilla® is a registered trademark of Homeland Vinyl Products, Inc. **Only runs once or twice yearly.

HOMELAND VINYL PRODUCTS, Inc.

20-108- M1135-20MM

Homeland Profiles: 800.999.6813 | www.Homelandvinyl.com | Waymark Accessories: 877-652-6118

**PRIVACY FENCE
POCKET RAIL**



W=White, T=Tan, D=Adobe

1-3/4" X 5-1/2" NEXUS® MID-RAIL

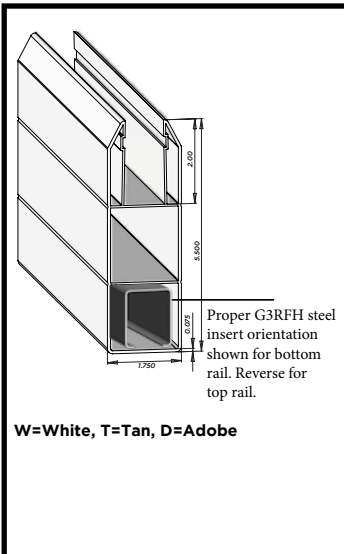
F3PM
1-3/4" x 5-1/2" Nexus® Mid-Rail
 (7/8" x 2" Pocket)
Pcs/Pallet: 98
AL - 70", 94", 16'
UT - 71-1/2", 16'

Note: 16' Insert Required Separately

HOMEWOOD OPTION F3PM ONLY

O=Mocha Walnut, Y=Honey Maple,
 I=Chai Gray, U=Green Teak

F3PM
Pcs/Pallet: 98
AL - 71-1/2", 94" (With Steel Inserted),
16' (Insert Required Separately)
UT - 71-1/2" (With Steel Inserted), - Honey Maple Only
16' (Insert Required Separately) - Honey Maple Only



W=White, T=Tan, D=Adobe

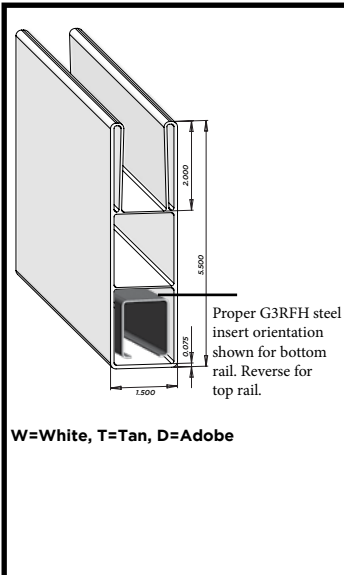
1-3/4" X 5-1/2" NEXUS® POCKET RAIL

F3P5
1-3/4" x 5-1/2" Nexus® Pocket Rail
 (7/8" x 2" Pocket)
Pcs/Pallet: 98
AL - 70", 94", 16'
UT - 71-1/2", 94", 16'
Note: 16' Insert Required Separately

HOMEWOOD OPTION F3P5 ONLY

O=Mocha Walnut, Y=Honey Maple,
 I=Chai Gray, U=Green Teak

F3P5
Pcs/Pallet: 98
AL - 71-1/2", 94" (With Steel Inserted),
16' (Insert Required Separately)
UT - 71-1/2" (With Steel Inserted)
Note: 16' Insert Required Separately



W=White, T=Tan, D=Adobe

1-1/2" X 5-1/2" GORILLA® POCKET RAIL

F32G
1-1/2" x 5-1/2" Gorilla® Pocket Rail
 (7/8" x 2" Pocket)
Pcs/Pallet: 114
AL - 70", 94", 16'
NJ - 70", 94", 16'
UT - 71-1/2", 76", 83", 94", 16'
FL - 70", 94"

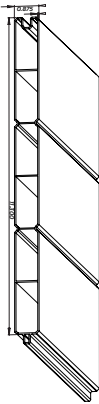
Note: 16' Insert Required Separately

Availability, specification and profile dimensions are subject to change without notice. Check with manufacturer before ordering.

All dimensions are subject to manufacturer's tolerances. **Only runs once or twice yearly.

Gorilla® is a registered trademark of Homeland Vinyl Products, Inc. Nexus® is a registered trademark of Homeland Vinyl Products, Inc.

PRIVACY FENCE PRIVACY PICKETS

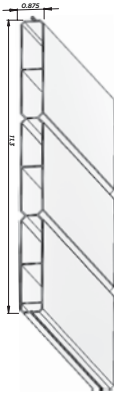


7/8" X 11.3" GORILLA® T&G

F61S
7/8" x 11.3" Gorilla® T&G
Pcs/Pallet: 100

UT - 48", 55-1/4", 60-1/4", 62-1/4", 64",
16' (100 Pcs/Pallet)

W=White, T=Tan, D=Adobe



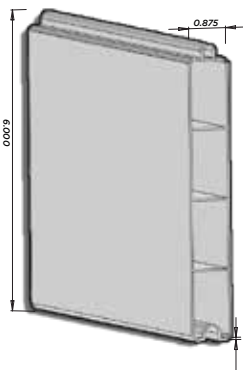
7/8" X 11.3" GORILLA® LOCKING PICKET

F61L
7/8" x 11.3" Gorilla® Locking Picket
Pcs/Pallet: 100

UT - 60-1/4", 62-1/4", 16'

**F61L LIMITED AVAILABILITY.
RUN ONLY ONCE OR TWICE
YEARLY.**

W=White, T=Tan, D=Adobe



7/8" X 6" GORILLA® T&G

F54G
7/8" x 6" Gorilla® T&G
Pcs/Pallet: 178 (16'),
Shorter Lengths, 346

AL - 48", 49", 52", 57-1/2", 59-1/2", 60", 61",
62-1/4", 64", 66-1/2", 69-1/2", 70", 16'
NJ - 48", 49", 52", 57-1/2", 59-1/2", 60", 61", 62-1/4", 64", 16'
UT - 45", 47-1/4", 55-1/4", 59-1/4", 60-1/4", 62-1/4", 66-1/2", 70", 16'
FL - 62-1/4", 16'

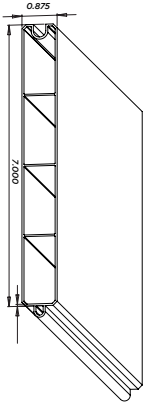
HOMWOOD OPTION F54C ONLY
O=Mocha Walnut, Y=Honey Maple,
I=Chai Gray, U=Green Teak

F54C
7/8" x 6" Homewood® T&G
Pcs/Pallet: 178 (16')
AL - 30-1/2", 62-1/4", 66-1/2", 70", 16'
UT - 30-1/2", 60-1/4", 66-1/2", 70", 16'

W=White, T=Tan, D=Adobe

Availability, specification and profile dimensions are subject to change without notice. Check with manufacturer before ordering.
All dimensions are subject to manufacturer's tolerances. **Only runs once or twice yearly.
Gorilla® is a registered trademark of Homeland Vinyl Products, Inc.

FENCE PRIVACY PICKETS

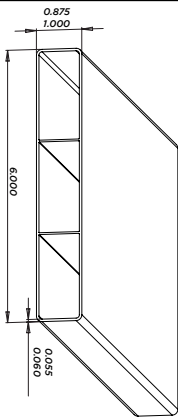


7/8" X 7" GORILLA® T&G

F62S
7/8" x 7" Gorilla® T&G
Pcs/Pallet: 148 (16'),
Shorter Lengths, 292

AL - 60", 61"
NJ - 60", 61", 16'

F62S LIMITED AVAILABILITY.
RUN ONLY ONCE OR TWICE
YEARLY.



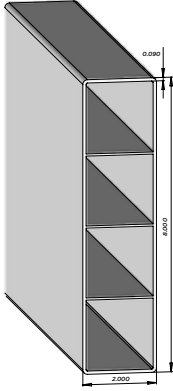
7/8"X6" RIBBED STANDARD

F56R
7/8"x6" Ribbed Standard
Pcs/Pallet: 178
AL - 69-1/2" 12', 16'
NJ - 16' (Stocked In NJ - White & Tan)
UT - 16'
FL - 69-1/2", 16' (Stocked in FL)

W=White, T=Tan, D=Adobe

Availability, specification and profile dimensions are subject to change without notice. Check with manufacturer before ordering.
 All dimensions are subject to manufacturer's tolerances.
 **Only runs once or twice yearly.

FENCE RAILS

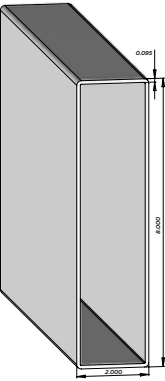


2" X 8" RIBBED RAIL

F20R (0.090 wall)
2"x8" Ribbed Rail
Pcs/Pallet: 66
AL - 16', 24'

F20R LIMITED AVAILABILITY.
RUN ONLY ONCE OR TWICE
YEARLY.

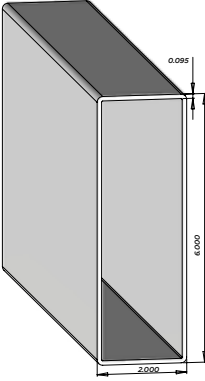
W=White, T=Tan, D=Adobe



2" X 8" HOLLOW RAIL

F20S (0.095 wall)
2" X 8" Hollow Rail
Pcs/Pallet: 66
AL - 16', 24'

W=White, T=Tan, D=Adobe



2" X 6" HOLLOW RAIL

F22E (0.095 wall)
2"x6" Hollow Rail
Pcs/Pallet: 88
AL - 16', 24'

W=White, T=Tan, D=Adobe

Availability, specification and profile dimensions are subject to change without notice. Check with manufacturer before ordering.

All dimensions are subject to manufacturer's tolerances.

*Limited availability, Check with customer service.

**Only runs once or twice yearly.

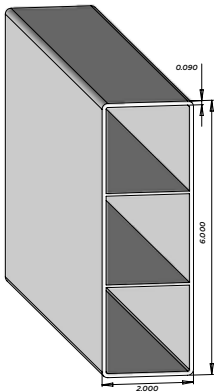
HOMELAND VINYL PRODUCTS, Inc.

20-108- M1135-20MM

Homeland Profiles: 800.999.6813 | www.Homelandvinyl.com | Waymark Accessories: 877-652-6118

FENCE RAILS

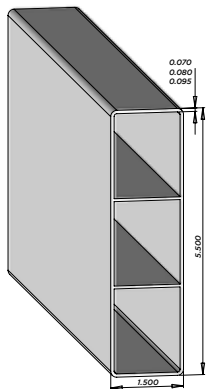
2" X 6" RIBBED RAIL



F22C
 (0.090 wall)
 2"x6" Ribbed Rail
 Pcs/Pallet: 88
 AL - 94", 12', 16'
 NJ - 8', 94", 16' (Stocked In NJ - White & Tan)
 UT - 12', 16'
 FL - 16' (Stocked in FL - White & Tan)

W=White, T=Tan, D=Adobe

1-1/2" X 5-1/2" RIBBED RAIL (UTILITY & UTILITY VALUE)



F27C LIMITED AVAILABILITY.
 RUN ONLY ONCE OR TWICE
 YEARLY.

HOMEWOOD OPTION F27C ONLY
 O=Mocha Walnut, Y=Honey Maple,
 I=Chai Gray, U=Green Teak

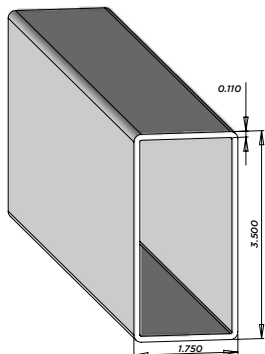
F27C (0.095 Wall)
 1-1/2" x 5-1/2" Ribbed Rail
 Pcs/Pallet: 114
 AL - 16'
 UT - 16'
 Steel insert required in each rail

F27E (0.080 Wall)
 1-1/2" x 5-1/2" Ribbed Utility Rail
 Pcs/Pallet: 114
 AL - 16'
NJ - 16' *
 UT - 16'

F27M (0.070 Wall)
 1-1/2" x 5-1/2" Utility Value Rail
 (Color Inside)
 Pcs/Pallet: 114
 AL - 16'
 UT - 16'
 FL - 16' (Stocked In FL)

W=White, T=Tan, D=Adobe

1-3/4" X 3-1/2" HOLLOW STANDARD



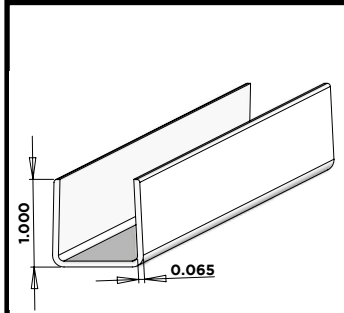
F25B (0.110 wall)
 1-3/4" x 3-1/2" Hollow Standard Rail
 Pcs/Pallet: 156
 AL - 12', 16'
 UT - 12', 16'
 FL - 12' (Stocked In FL)

W=White, T=Tan, D=Adobe

Availability, specification and profile dimensions are subject to change without notice. Check with manufacturer before ordering.
 All dimensions are subject to manufacturer's tolerances.
 **Only runs once or twice yearly.

SPECIALTY PRODUCTS

U-CHANNEL, TRIM CHANNEL, GATE SUPPORT BRACE



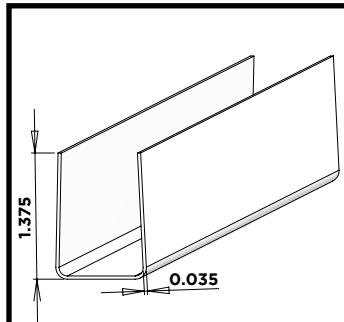
W=White, T=Tan, D=Adobe

7/8" U-CHANNEL STANDARD

F83S
7/8" U-Channel Standard
Pcs/Box: 64 (10' 2")
(Shorter lengths
1280 Pcs/Pallet)
AL - 10'2", 60-7/8"
NJ - 10'2" (Stocked In NJ)
UT - 10'2" (Stocked In UT)

- NO MTO

HOMEWOOD OPTION F83S ONLY
O=Mocha Walnut, Y=Honey Maple,
I=Chai Gray, U=Green Teak
F83S
Pcs/Pallet: 64
AL - 10'2"
UT - 10'2"- (Stocked In UT)

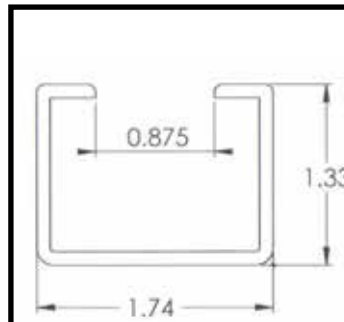


W=White, T=Tan, D=Adobe

7/8" TRIM CHANNEL

F83U
7/8" Trim Channel
Pcs/Box: 60 (10' 2")
(Shorter lengths
840 Pcs/Pallet)
AL - 10'2", 58-3/4", 59-1/4", 60-7/8"
NJ - 58", 58-3/4", 60-7/8", 10'2" (Stocked In NJ)
UT - 10'2", 52", 57", 58-3/4", 59" (Stocked In UT)
FL - 58-3/4", 59", 59-1/4" (Stocked only)

- NO MTO



W=White, T=Tan, D=Adobe

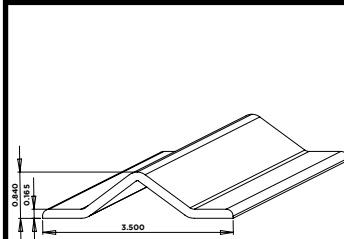
GORILLA® PICKET CHANNEL

FTG2H
Gorilla Picket Channel
Pcs/Box: 40 Box
AL - 72"
UT - 72" (Stocked In UT)

HOMEWOOD OPTION FTG2H
O=Mocha Walnut, Y=Honey Maple,
I=Chai Gray,, U=Green Teak
FTG2H
Pcs/Pallet: 40 Box
AL - 72"
UT - 72"- (Stocked In UT)

SPECIALTY PRODUCTS

LATTICE CHANNEL



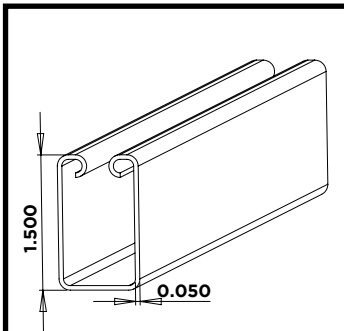
GATE SUPPORT BRACE

F86S (0.165 wall)
Gate Support Brace
Bundled: 240 pcs
Boxed: 24 pcs

- NO MTO

AL - 8' (Bundled), 12' (Box)
FL - 8' (Bundled) (Stocked In FL)

W=White, T=Tan, D=Adobe

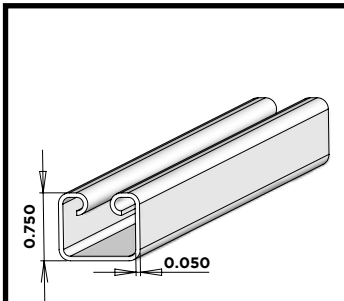


1-1/2" LATTICE CHANNEL

F88S (0.050 wall)
1-1/2" Lattice Channel
Pcs/Box: 32
AL - 8'

- NO MTO

W=White, T=Tan, D=Adobe



3/4" LATTICE CHANNEL

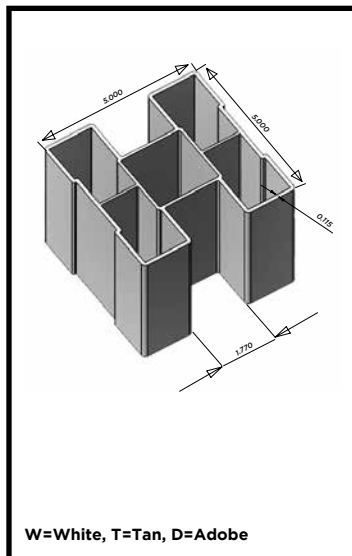
F89S (0.050 wall)
3/4" Lattice Channel
Pcs/Box: 60
AL - 8'

- NO MTO

W=White, T=Tan, D=Adobe

Availability, specification and profile dimensions are subject to change without notice. Check with manufacturer before ordering.
 All dimensions are subject to manufacturer's tolerances.

PRIVACY FENCE GORILLA® FENCE



5" X 5" GORILLA® H-POST

FTG1 (0.115 wall)
5" x 5" Gorilla®
H-Post

AL - 9'

FTG1 LIMITED AVAILABILITY.
RUN ONLY ONCE OR TWICE
YEARLY.

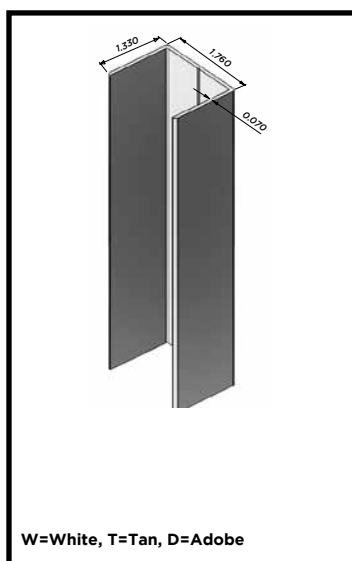
HOMEWOOD OPTION FTG1

O=Mocha Walnut, Y=Honey Maple,
I=Chai Gray,, U=Green Teak

FTG1

AL - 9'

W=White, T=Tan, D=Adobe



1-1/2 GORILLA® POST INSERT

FTG2 (0.070 wall)
1-1/2 Gorilla®
Post Insert

AL - 8'

FTG2 LIMITED AVAILABILITY.
RUN ONLY ONCE OR TWICE
YEARLY.

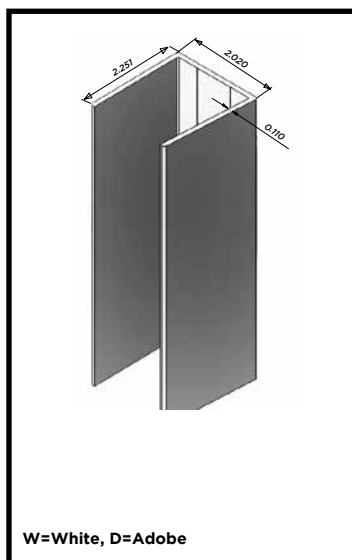
HOMEWOOD OPTION FTG2

O=Mocha Walnut, Y=Honey Maple,
I=Chai Gray,, U=Green Teak

FTG2

AL - 8'

W=White, T=Tan, D=Adobe



1-3/4 GORILLA® FENCE U-CHANNEL

FTG3 (0.110 wall)
1-3/4 Gorilla®
Fence U-Channel

AL - 8'

FTG3 LIMITED AVAILABILITY.
RUN ONLY ONCE OR TWICE
YEARLY.

HOMEWOOD OPTION FTG3

O=Mocha Walnut, Y=Honey Maple,
I=Chai Gray,, U=Green Teak

FTG3

AL - 8'

W=White, D=Adobe

Availability, specification and profile dimensions are subject to change without notice. Check with manufacturer before ordering.
All dimensions are subject to manufacturer's tolerances. **Only runs once or twice yearly.

Gorilla® is a registered trademark of Homeland Vinyl Products, Inc.

HOMELAND VINYL PRODUCTS, Inc.

20-108- M1135-20MM

Homeland Profiles: 800.999.6813 | www.Homelandvinyl.com | Waymark Accessories: 877-652-6118

GORILLA® GUARD RAIL PROFILES



GORILLA™ GUARD RAIL

SUMMIT® 2x3-1/2, T- RAIL

W=White, T=Tan, D=Adobe

2" X 3-1/2" HOLLOW UTILITY RAIL

P24

| | |
|--|--|
| <p>F24E (0.095 Wall) 2"x3-1/2" Hollow Utility Rail Pcs/Pallet: 143 AL - 6', 94", 8', 10', 16', 24' UT - 8', 12', 16' FL - 6', 8' (Stocked in FL)</p> | <p>F24C (0.120 Wall) 2"x3-1/2" Hollow Standard Rail Pcs/Pallet: 143 AL - 6', 8', 16', 24' UT - 6', 8', 12', 16'</p> |
|--|--|

HOMEWOOD OPTION F24E ONLY
 O=Mocha Walnut, Y=Honey Maple,
 I=Chai Gray,, U=Green Teak

F24E (0.095 Wall)
 2"x3-1/2" Hollow Utility Rail
 Pcs/Pallet: 143
 AL - 16'
 UT - 12'

TOP RAIL & BOTTOM RAIL

W=White, T=Tan, D=Adobe

3-1/2" GORILLA® T-RAIL

| | |
|--|---|
| <p>F35C (0.090 wall) 3-1/2" Gorilla® T-Rail Pcs/Pallet: 90 AL - 6', 8', 10', 16'</p> | <p>HOMEWOOD OPTION F35C ONLY O=Mocha Walnut, Y=Honey Maple, I=Chai Gray,, U=Green Teak</p> <p>F35C - (0.095 wall) 3-1/2" Gorilla® T-Rail Pcs/Pallet: 90 AL - 16'</p> |
|--|---|

TOP RAIL

Availability, specification and profile dimensions are subject to change without notice. Check with manufacturer before ordering.
 All dimensions are subject to manufacturer's tolerances.
 *Limited availability, Check with customer service.

IT & MATCH • PERFECT FIT & MATCH • PERFECT FIT & MATCH • PER
PERFECT FIT & MATCH • PERFECT FIT & MATCH • PERFECT FIT & MAT
RFECT FIT & MATCH • PERFECT FIT & MATCH • PERFECT FIT & MATCH
& MATCH • PERFECT FIT & MATCH • PERFECT FIT & MATCH • PERFEC
FIT & MATCH • PERFECT FIT & MATCH • PERFECT FIT & MATCH • PER
PERFECT FIT & MATCH • PERFECT FIT & MATCH • PERFECT FIT & MAT

PICKETS

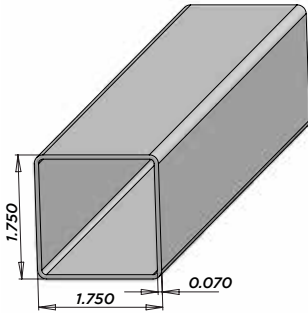
PROFILES

IT & MATCH • PERFECT FIT & MATCH • PERFECT FIT & MATCH • PER
PERFECT FIT & MATCH • PERFECT FIT & MATCH • PERFECT FIT & MAT
RFECT FIT & MATCH • PERFECT FIT & MATCH • PERFECT FIT & MATCH
& MATCH • PERFECT FIT & MATCH • PERFECT FIT & MATCH • PERFEC
FIT & MATCH • PERFECT FIT & MATCH • PERFECT FIT & MATCH • PER
PERFECT FIT & MATCH • PERFECT FIT & MATCH • PERFECT FIT & MAT
FIT & MATCH • PERFECT FIT & MATCH • PERFECT FIT & MATCH • PER
PERFECT FIT & MATCH • PERFECT FIT & MATCH • PERFECT FIT & MAT
RFECT FIT & MATCH • PERFECT FIT & MATCH • PERFECT FIT & MATCH
& MATCH • PERFECT FIT & MATCH • PERFECT FIT & MATCH • PERFEC
FIT & MATCH • PERFECT FIT & MATCH • PERFECT FIT & MATCH • PER
PERFECT FIT & MATCH • PERFECT FIT & MATCH • PERFECT FIT & MAT
FIT & MATCH • PERFECT FIT & MATCH • PERFECT FIT & MATCH • PER
PERFECT FIT & MATCH • PERFECT FIT & MATCH • PERFECT FIT & MAT
RFECT FIT & MATCH • PERFECT FIT & MATCH • PERFECT FIT & MATCH
& MATCH • PERFECT FIT & MATCH • PERFECT FIT & MATCH • PERFEC
FIT & MATCH • PERFECT FIT & MATCH • PERFECT FIT & MATCH • PER
PERFECT FIT & MATCH • PERFECT FIT & MATCH • PERFECT FIT & MAT



FENCE/GUARD RAIL SMALL PICKETS

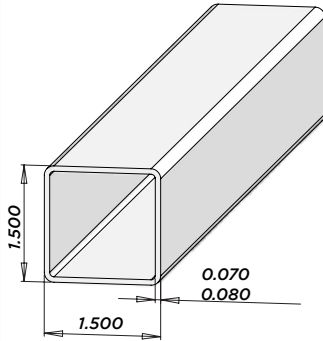
1-3/4" X 1-3/4" STANDARD PICKETS



F41S (0.070 Wall)
1-3/4" x 1-3/4" Standard Pickets
Pcs/Pallet: 312
AL - 16'

W=White, T=Tan, D=Adobe

1-1/2" X 1-1/2" GORILLA® (& STANDARD) PICKETS



W=White, T=Tan, D=Adobe

F42S (0.070 Wall)
1-1/2" x 1-1/2" Standard Pickets
Pcs/Pallet: 450 pcs. (Other Sizes 900)

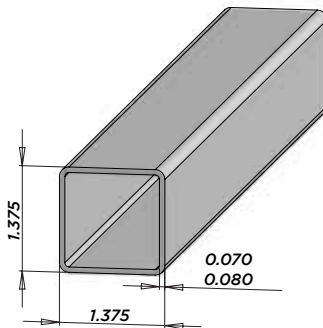
AL - 16' (Stocked in AL)
TN - 30-1/2", 31", 32", 38", 43-1/8",
10', 12', 16', *
UT - 16' (Stocked In UT)
FL - 16' (Stocked In FL)

HOMEWOOD OPTION F42S ONLY

O=Mocha Walnut, Y=Honey Maple,
 I=Chai Gray, U=Green Teak

F42S (0.070 Wall)
1-1/2" x 1-1/2" Standard Pickets
Pcs/Pallet: 450 pcs.
AL - 16'

1-3/8" X 1-3/8" GORILLA® (& STANDARD) PICKETS



W=White, T=Tan, D=Adobe

F43C (0.070 Wall)
1-3/8" x 1-3/8" Standard Pickets
Pcs/Pallet: 330 pcs. (Other Sizes 600)

AL - 16' (Stocked In AL)
TN - 31-3/4", 32", 32-1/2", 38",
38-1/2", 16'
UT - 16' (Stocked In UT)

HOMEWOOD OPTION F43C ONLY

O=Mocha Walnut, Y=Honey Maple,
 I=Chai Gray, U=Green Teak

F43C (0.070 Wall)
1-3/8"x1-3/8" Standard Pickets
Pcs/Pallet: 600 (16', 330 pcs.)
AL - 16'

Availability, specification and profile dimensions are subject to change without notice. Check with manufacturer before ordering.

All dimensions are subject to manufacturer's tolerances. Gorilla® is a registered trademark of Homeland Vinyl Products, Inc.

*Limited availability, Check with customer service.

**Only runs once or twice yearly.

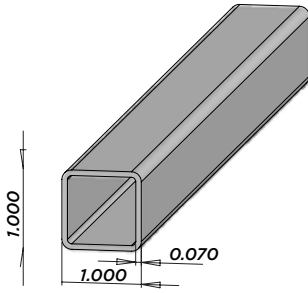
HOMELAND VINYL PRODUCTS, Inc.

20-108- M1135-20MM

Homeland Profiles: 800.999.6813 | www.Homelandvinyl.com | Waymark Accessories: 877-652-6118

FENCE/GUARD RAIL SMALL PICKETS

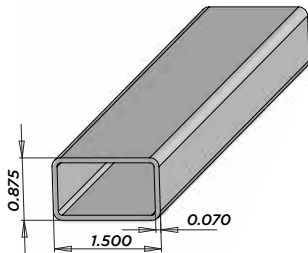
1" X 1" STANDARD PICKETS



F45S (0.070 Wall)
1" x 1" Standard Pickets
Pcs/Pallet: 450
AL - 16'
UT - 16' (Stocked in UT, White and Tan)

W=White, T=Tan, D=Adobe

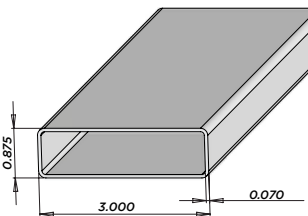
7/8" X 1-1/2" STANDARD PICKETS



F65S (0.070 Wall)
7/8" x 1-1/2" Standard Pickets
Pcs/Pallet: 942 (16', 402 pcs.)
AL - 32", 16'
NJ - 32", 16' *
UT - 31.75", 33, 16' (Stocked In UT)
FL - 16' (Stocked In FL)

W=White, T=Tan, D=Adobe

7/8" X 3" STANDARD PICKETS



W=White, T=Tan, D=Adobe

F57C (0.070 Wall)
7/8" X 3" Standard Pickets
Pcs/Pallet: 355
AL - 16' (Stocked in AL)
UT - 16'
TN - 44", 45-7/8", 12', 16'

HOMELAND OPTION F57H ONLY

O=Mocha Walnut, Y=Honey Maple,
 I=Chai Gray, U=Green Teak

F57H (0.080 Wall)
7/8" x 3" Gorilla® Pickets
Pcs/Pallet: 355
AL - 8'

Availability, specification and profile dimensions are subject to change without notice. Check with manufacturer before ordering.

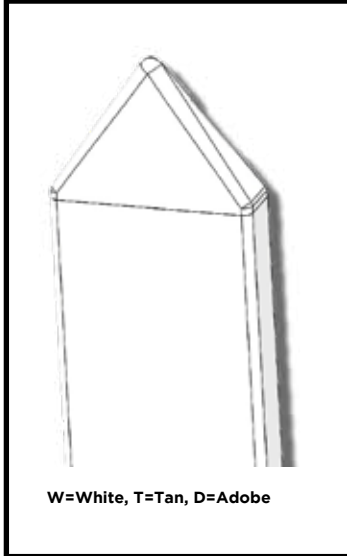
All dimensions are subject to manufacturer's tolerances.

*Limited availability, Check with customer service.

**Only runs once or twice yearly.

FENCE/GUARD RAIL

SMALL PICKETS, RAILS

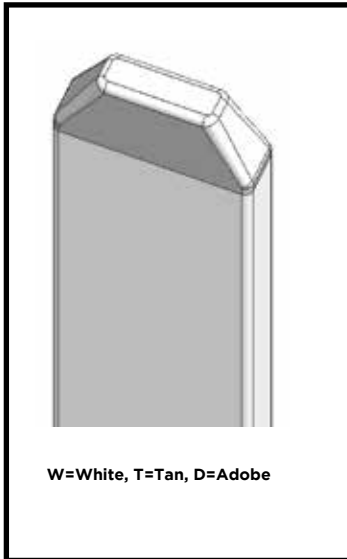


7/8" X 3" SPADE PICKET

F57C-SPC
 7/8" X 3" Standard Picket
 welded to spade cap

Pcs/Pallet: 355
 TN - 44" (Extrusion) + Welded Spade Cap
 45-7/8" (Extrusion) + Welded Spade Cap
 56" (Extrusion) + Welded Spade Cap
 68" (Extrusion) + Welded Spade Cap

W=White, T=Tan, D=Adobe

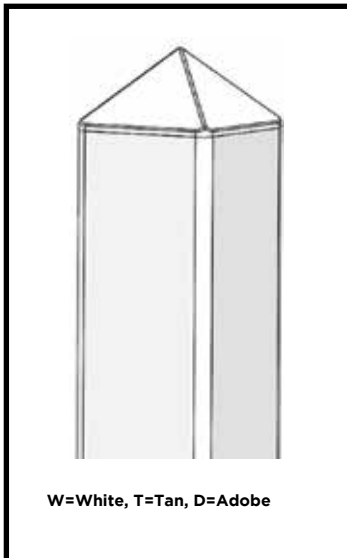


7/8" X 3" DOG EAR PICKET

F57C-DEC
 7/8" X 3" Standard Picket
 welded to dog ear Cap

Pcs/Pallet: 355
 TN - 44" (Extrusion) + Welded Dog Ear Cap
 45-7/8" (Extrusion) + Welded Dog Ear Cap
 56" (Extrusion) + Welded Dog Ear Cap
 68" (Extrusion) + Welded Dog Ear Cap

W=White, T=Tan, D=Adobe



1-1/2" X 1-1/2" SHARP PICKET

F42S-SPD
 1-1/2" X 1-1/2" Standard Picket
 welded to Sharp Cap

Pcs/Pallet: 900
 TN - 44" (Extrusion) + Welded Sharp Cap
 45-7/8" (Extrusion) + Welded Sharp Cap
 56" (Extrusion) + Welded Sharp Cap
 68" (Extrusion) + Welded Sharp Cap

W=White, T=Tan, D=Adobe

Availability, specification and profile dimensions are subject to change without notice. Check with manufacturer before ordering.

All dimensions are subject to manufacturer's tolerances.

*Limited availability, Check with customer service.

**Only runs once or twice yearly.

HOMELAND VINYL PRODUCTS, Inc.

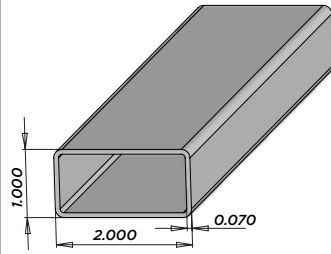
20-108- M1135-20MM

Homeland Profiles: 800.999.6813 | www.Homelandvinyl.com | Waymark Accessories: 877-652-6118

FENCE/GUARD RAIL

SMALL PICKETS, RAILS

1" X 2" STANDARD PICKETS



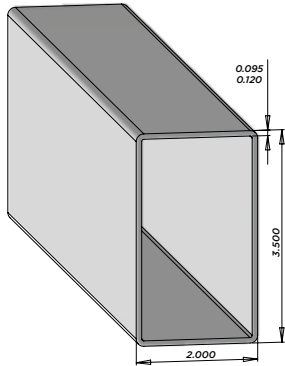
F48S (0.070 Wall)
1" x 2" Standard Pickets
Pcs/Pallet: 270
AL - 16'

F48S LIMITED AVAILABILITY.
RUN ONLY ONCE OR TWICE
YEARLY.

W=White, T=Tan, D=Adobe

2" X 3-1/2" HOLLOW UTILITY RAIL

P19



W=White, T=Tan, D=Adobe

F24E (0.095 Wall)
2"x3-1/2" Hollow Utility Rail
Pcs/Pallet: 143
AL - 6', 94", 8', 10', 16', 24'
UT - 8', 12', 16'
FL - 6', 8' (Stocked In FL)

F24C (0.120 Wall)
2"x3-1/2" Hollow Standard Rail
Pcs/Pallet: 143
AL - 6', 8', 16', 24'
UT - 6', 8', 12', 16'

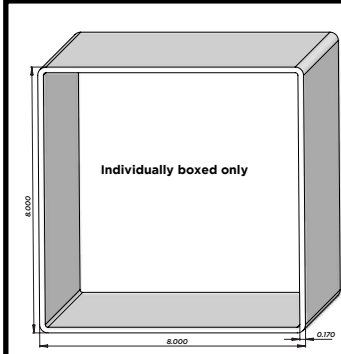
HOMEWOOD OPTION F24E ONLY
O=Mocha Walnut, Y=Honey Maple,
I=Chai Gray, U=Green Teak

F24E (0.095 Wall)
2"x3-1/2" Hollow Utility Rail
Pcs/Pallet: 143
AL - 16'
UT - 16'

TOP RAIL & BOTTOM RAIL

GORILLA® POSTS

POSTS



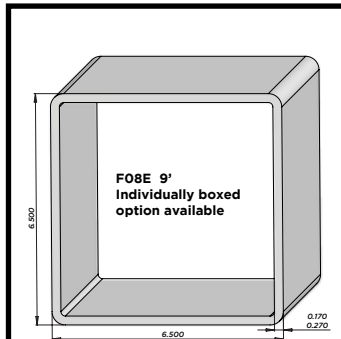
8" X 8" STANDARD POST

F06C (0.170 wall)
8" x 8" Standard Post
Pcs/Box: 1
Boxes/Skids: 10
Refer to Commodity Sheet for Box Costs.
SOLD IN SKID BOX QUANTITIES ONLY

AL - 9'

F06C LIMITED AVAILABILITY.
RUN ONLY ONCE OR TWICE
YEARLY.

W=White, T=Tan, D=Adobe



6-1/2" X 6-1/2" POST (& GORILLA® POST)

F08S (0.270 wall) 6-1/2" x 6-1/2"
Gorilla® Post
Pcs/Pallet: 21

AL - 9', 16'

F08S LIMITED AVAILABILITY.
RUN ONLY ONCE OR TWICE
YEARLY.

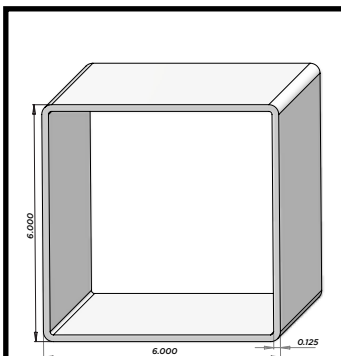
W=White, T=Tan, D=Adobe

F08E (0.170 wall) 6-1/2" x 6-1/2" Post
Pcs/Pallet: 49
(24', 21 pcs.)

AL - 9', 10', 12'

F08E LIMITED AVAILABILITY.
RUN ONLY ONCE OR TWICE
YEARLY.

Boxed Option for F08E:
Pcs/Box: 1 Boxes/Skids: 20
Refer to Commodity Sheet for
Box Costs.
SOLD IN SKID QUANTITIES ONLY



6" X 6" STANDARD POST

F09C (0.125 wall)
6" x 6" Standard Post
Pcs/Pallet: 32

AL - 9', 10', 12', 16'

Bagging options available at extra
cost for F09C - 6" x 6" standard
post for truckload quantities from
Alabama Location only.

W=White, T=Tan, D=Adobe

Bagging options available for 6"x6", 5"x5", and 4"x4" in truck load quantities. See Made To Order Guidelines.
Availability, specification and profile dimensions are subject to change without notice. Check with manufacturer before ordering.
All dimensions are subject to manufacturer's tolerances. Gorilla® is a registered trademark of Homeland Vinyl Products, Inc.
****Only runs once or twice yearly.**

GORILLA® POSTS

POSTS

5" X 5" (GORILLA®, STANDARD, UTILITY, RANCH) POST

F10K (0.270 wall)
5" x 5" Gorilla® Post
Pcs/Pallet: 36 (16' & Over - 36 pcs)
AL - 9', 16', 24'
NJ - (Stocked in NJ - White)

F10C (0.150 wall)
5" x 5" Standard Post
Pcs/Pallet: 81 (16' & Over - 36 pcs)
AL - 7', 8', 9', 16', 24'
NJ - 7', 8', 9', 16', 24'
UT - 7', 8', 9', 16', 24'
FL - 8', 9' (White Only)

HOMEWOOD OPTION F10C ONLY
 O=Mocha Walnut, Y=Honey Maple,
 I=Chai Gray,, U=Green Teak

F10C (0.150 wall)
5" x 5" Standard Post
Pcs/Pallet: 81 (16' & Over - 36 pcs)
AL - 8', 9', 16'
UT - 8', 16'

F10E (0.135 wall)
5" x 5" Utility Post
Pcs/Pallet: 81 (16' & Over - 36 pcs)
AL - 7', 8', 8'6", 9', 16', 24'
NJ - 7', 8', 9', 16', 24'
UT - 6'6", 7', 8', 9', 16', 24'
FL - 8', 8'6", 9' (White only)

Boxed Option for F10E:
Pcs/Box: 1 Boxes/Skids: 20
Refer to Commodity Sheet for
Box Costs.
SOLD IN SKID QUANTITIES ONLY

F10J (0.125 wall)
5" x 5" Utility Ranch Post
(Color Inside)
Pcs/Pallet: 81
AL - 5', 6'6", 7'
UT - 5', 6'6", 7' (Only White and Tan)

F10M
5" x 5" Economy Post
(Color Inside)
Pcs/Pallet: 81
FL - 8'6", 9' (Blanks Only)

W=White, T=Tan, D=Adobe

4" X 4" (GORILLA®, STANDARD, UTILITY, VALUE) POST

F12C (0.165 wall)
4" x 4" Gorilla® Post
Pcs/Pallet: 121 (16' & Over - 55 pcs.)
AL - 9', 16', 24'
UT - 39", 45", 16'

F12N (0.135 wall)
4" x 4" Standard Post
Pcs/Pallet: 121 (16' & Over - 55 pcs.)
AL - 6', 7', 9', 16', 24'
NJ - 6', 7', 9', 16', 24'
UT - 6', 7', 9', 16', 24'

HOMEWOOD OPTION F12N ONLY
 O=Mocha Walnut, Y=Honey Maple,
 I=Chai Gray,, U=Green Teak

F12N (0.135 wall)
4"x4" Standard Post
Pcs/Pallet: 121 (16' & Over - 55 pcs.)
AL - 16'
UT - 16'

F12V (0.100 wall)
4" x 4" Value Post
(Color Inside)
Pcs/Pallet: 121
AL - 39", 48", 8'
NJ - 39", 48", 8'

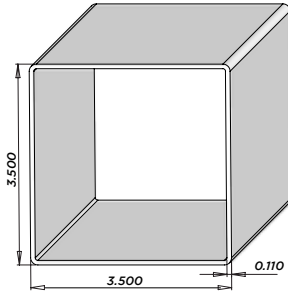
F12E (0.115 wall)
4" x 4" Utility Post
Pcs/Pallet: 121 (16' & Over - 55 pcs.)
AL - 39", 48", 6', 7', 8', 98", 9', 16', 24'
NJ - 39", 48", 7', 8', 9', 16', 24'
UT - 16', 24'
FL - 6', 7' (Stocked in FL)

Bagging options available at extra
cost for F12E - 4" x 4" utility post
for truckload quantities from
Alabama Location only.

Bagging options available for 6"x6", 5"x5", and 4"x4" in truck load quantities. See Made To Order Guidelines.
 Availability, specification and profile dimensions are subject to change without notice. Check with manufacturer before ordering.
 All dimensions are subject to manufacturer's tolerances. Gorilla® is a registered trademark of Homeland Vinyl Products, Inc.
 *Limited availability, Check with customer service.

GORILLA® POSTS POSTS

3-1/2" X 3-1/2" UTILITY POST

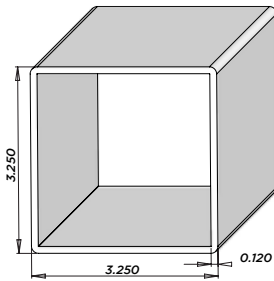


F13E (0.110 wall)
3-1/2" x 3-1/2" Utility Post
Pcs/Pallet: 156 (16' & Over - 78 pcs.)
AL - 16'

**F13E LIMITED AVAILABILITY.
 RUN ONLY ONCE OR TWICE
 YEARLY.**

W=White, T=Tan, D=Adobe

3-1/4" X 3-1/4" STANDARD POST

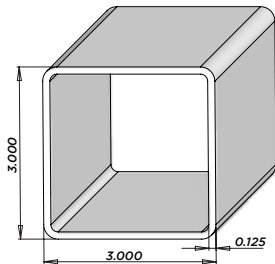


F15S (0.120 wall)
3-1/4" x 3-1/4" Standard Post
Pcs/Pallet: 98
AL - 16'

**F15S LIMITED AVAILABILITY.
 RUN ONLY ONCE OR TWICE
 YEARLY.**

W=White, T=Tan, D=Adobe

3" X 3" CO-EX STANDARD POST



F14C (0.125 wall)
3" x 3" Co-Ex Standard Post
Pcs/Pallet: 120
AL - 16', 24'

**F14C LIMITED AVAILABILITY.
 RUN ONLY ONCE OR TWICE
 YEARLY.**

W=White, T=Tan, D=Adobe

Bagging options available for 6"x6", 5"x5", and 4"x4" in truck load quantities. See Made To Order Guidelines.
 Availability, specification and profile dimensions are subject to change without notice. Check with manufacturer before ordering.
 All dimensions are subject to manufacturer's tolerances. Gorilla® is a registered trademark of Homeland Vinyl Products, Inc.
 **Only runs once or twice yearly.

PERFECT FIT & MATCH • PERFECT FIT & MATCH • PERFECT FIT & MATCH •
PERFECT FIT & MATCH • PERFECT FIT & MATCH • PERFECT FIT & MATCH • PE
CH • PERFECT FIT & MATCH • PERFECT FIT & MATCH • PERFECT FIT
MATCH • PERFECT FIT & MATCH • PERFECT FIT & MATCH • PERFECT
CT FIT & MATCH • PERFECT FIT & MATCH • PERFECT FIT & MATCH •

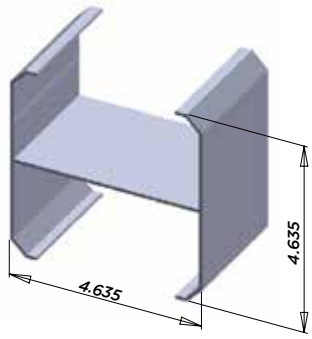
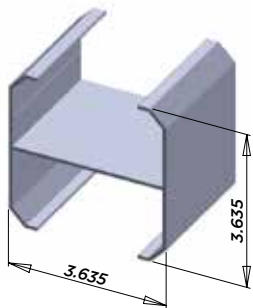
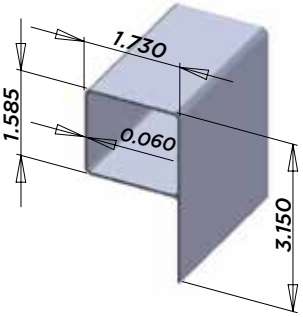
INSERTS

MATCH • PERFECT FIT & MATCH • PERFECT FIT & MATCH • PERFECT
CT FIT & MATCH • PERFECT FIT & MATCH • PERFECT FIT & MATCH •
FIT & MATCH • PERFECT FIT & MATCH • PERFECT FIT & MATCH • PE
CH • PERFECT FIT & MATCH • PERFECT FIT & MATCH • PERFECT FIT
MATCH • PERFECT FIT & MATCH • PERFECT FIT & MATCH • PERFECT
CT FIT & MATCH • PERFECT FIT & MATCH • PERFECT FIT & MATCH •
MATCH • PERFECT FIT & MATCH • PERFECT FIT & MATCH • PERFECT
CT FIT & MATCH • PERFECT FIT & MATCH • PERFECT FIT & MATCH •
FIT & MATCH • PERFECT FIT & MATCH • PERFECT FIT & MATCH • PE
CH • PERFECT FIT & MATCH • PERFECT FIT & MATCH • PERFECT FIT
MATCH • PERFECT FIT & MATCH • PERFECT FIT & MATCH • PERFECT
CT FIT & MATCH • PERFECT FIT & MATCH • PERFECT FIT & MATCH •
MATCH • PERFECT FIT & MATCH • PERFECT FIT & MATCH • PERFECT
CT FIT & MATCH • PERFECT FIT & MATCH • PERFECT FIT & MATCH •
FIT & MATCH • PERFECT FIT & MATCH • PERFECT FIT & MATCH • PE
CH • PERFECT FIT & MATCH • PERFECT FIT & MATCH • PERFECT FIT
MATCH • PERFECT FIT & MATCH • PERFECT FIT & MATCH • PERFECT
CT FIT & MATCH • PERFECT FIT & MATCH • PERFECT FIT & MATCH •



INSERT STIFFENER

ALUMINUM INSERT

| | |
|---|---|
|  | <p>5" X 5" ALUMINUM INSERT</p> <p>G10HA288-69243 5" x 5"</p> <p>24' Lengths Per Piece</p> |
|  | <p>4" X 4" ALUMINUM INSERT</p> <p>G12HA288-69312 4" x 4"</p> <p>24' Lengths Per Piece</p> |
|  | <p>2" X 3-1/2" & T-RAIL</p> <p>G24PA288-69227 2" x 3-1/2" & T-Rail</p> <p>24' Lengths 120 Pieces per Bundle</p> |

Availability, specification and profile dimensions are subject to change without notice. Check with manufacturer before ordering. All dimensions are subject to manufacturer's tolerances.

INSERT STIFFENER ALUMINUM INSERT

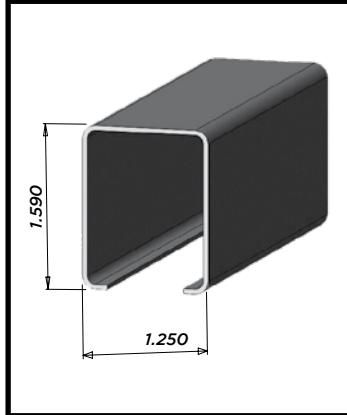
| | |
|--|--|
| | <p>T-BOTTOM RAIL</p> <p>G24TA096-55028 T-Bottom Rail</p> <p>72", 96" Lengths For bottom rail only 120 Pieces per Bundle</p> |
|--|--|

| | |
|--|--|
| | <p>H-RAIL - ALUMINUM INSERT</p> <p>G24HA096-55026 H-Rail</p> <p>96" Lengths For top rail only 120 Pieces per Bundle</p> |
|--|--|

| | |
|--|--|
| | <p>SMALL H - ALUMINUM INSERT</p> <p>G24hA072-55027 Small h</p> <p>72" Lengths For top rail only 120 Pieces per Bundle</p> |
|--|--|

Availability, specification and profile dimensions are subject to change without notice. Check with manufacturer before ordering.
All dimensions are subject to manufacturer's tolerances.

INSERT STIFFENER
ALUMINUM INSERTS, STEEL INSERTS

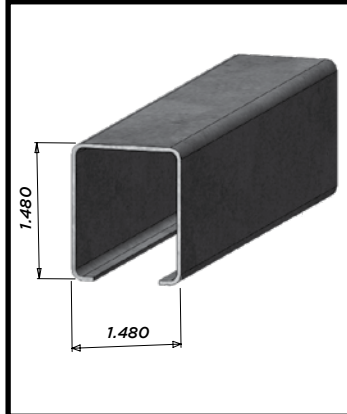


1-1/2" STEEL INSERT - POCKET RAIL

G3RFH121-18
1-1/2" Steel Insert - Pocket Rail
18 Gage
400 Pieces Per Bundle

AL- 93" (G3RFH121-18-93)
NJ- 93" (G3RFH121-18-93)
UT- 71" (G3RFH121-18-71)

Used with:
1-1/2" x 5-1/2" Pocket Rail

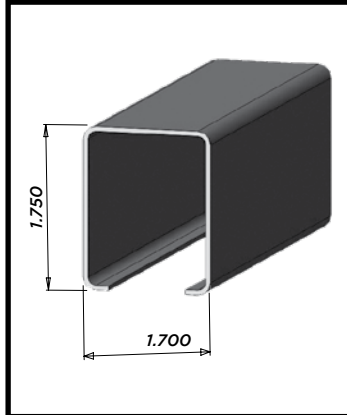


1-3/4" STEEL INSERT

G3RFM147-18
1-3/4" Steel Insert
18 Gage
400 Pieces Per Bundle

AL- 93" (G3RFM147-18-93)
NJ- 93" (G3RFM147-18-93)
UT- 71" (G3RFM147-18-71)

Used with:
1-3/4" x 5-1/2" Pocket Rail

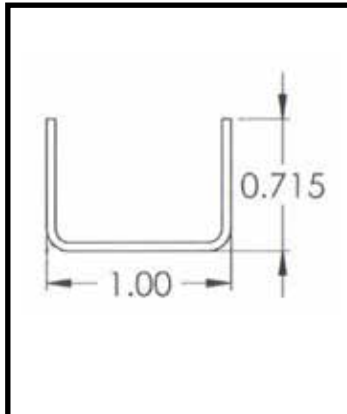


2" STEEL INSERT - 2" RAIL

G3RFH148-18
2" Steel Insert - 2" Rail
18 Gage
400 Pieces Per Bundle

AL- 93" (G3RFH148-18-93)
NJ- 93" (G3RFH148-18-93)
UT- 71" (G3RFH148-18-71)

Used with:
2" x 7" Pocket Rail



1" STEEL T&G INSERT

G3RFP255U
1" Steel T&G Insert
18 Gage
200 Pieces Per Bundled

AL- 62" (G3RFP255U-62)
68-3/4" (G3RFP255U-68C)
UT- 60" (G3RFP255U-60)
68-3/4" (G3RFP255U-68C)

Availability and profile dimensions are subject to change without notice. Check with manufacturer before ordering.
All dimensions are subject to manufacturer's tolerances.

