



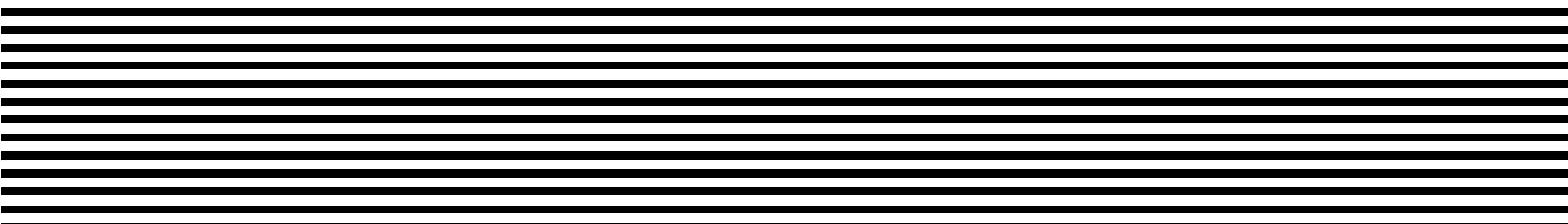
# 3RD QUARTER

# PROFILE EXTRUSIONS & INSERTS

**Availability, specification and profile dimensions are subject to change without notice. Check with manufacturer before ordering.**

*Updated 7-20-21*  
21201- M1116-21H

*Homeland: 800.999.6813 | [www.Homelandvinyl.com](http://www.Homelandvinyl.com)*



## A NOTE FROM HOMELAND MANAGEMENT:

All building material inventories have become increasingly limited since early 2020, and vinyl is no exception. We have seen an unprecedented surge of demand, which we have been striving to meet against a large-picture backdrop of a global pandemic and multiple supply-chain impacting Gulf hurricanes.

We have recently acquired a sixth manufacturing plant in Texas to help alleviate some of the pressure at our other locations. All of our plants have been, and will continue to be, running 24 hours per day, seven days a week. We have also improved production capacity without compromising quality, added new manufacturing lines, and introduced truckload allocation for better yard balance, but are finding it increasingly difficult to fulfill the wide array of current fabrication demands.

We will be updating and revising our 2021 catalog in the interest of streamlining our manufacturing supply to your fabrication facilities while reducing order lead times. The catalog will also be made available online and will be updated with our modifications. Our profile offerings will be reviewed each quarter to ensure we remain in step with your supply needs.

We at Homeland Vinyl truly value our relationships with you, our loyal customers. We know this year has not been an easy one, but we've made it better together with cooperation and compromise. After a fine-tuning of processes on both sides, we're certain of a secure partnership and successful future.

## Table of Contents

3.....	<b>Homeland Company Statement</b>		
4.....	<b>Item Key</b>		
4.....	<b>2021 Guideline for Adobe, Ash Gray, Gray &amp; Sand</b>		
6.....	<b>Made To Order (MTO) Program</b>		
6.....	<b>Declaration of Principles</b>		
7.....	<b>Fabrication Guidelines</b>		
8.....	<b>Fence Profiles</b>		
	<b>Pocket Rail .....</b>	<b>9</b>	
	<b>Privacy Pickets .....</b>	<b>13</b>	
	<b>Rails .....</b>	<b>16</b>	
	<b>U-Channel / Trim .....</b>	<b>19</b>	
	<b>Gate Brace .....</b>	<b>20</b>	
			<b>Tuf-Fence .....</b>
			<b>21</b>
			<b>Gorilla Fence.....</b>
			<b>23</b>
24.....	<b>Gorilla Guard Rail</b>		
28.....	<b>Pickets</b>		
	<b>Small Pickets .....</b>	<b>29</b>	
33.....	<b>Gorilla Wrap</b>		
36.....	<b>Gorilla Posts</b>		
41.....	<b>Gorilla Columns</b>		
43.....	<b>Gorilla Deck®</b>		
	<b>Fascia Trim.....</b>	<b>45</b>	
	<b>..... Gorilla Wood Deck ....</b>	<b>46</b>	
48.....	<b>Insert / Stiffeners</b>		
53.....	<b>Index</b>		
54.....	<b>Notes</b>		

# HOMELAND VINYL

## COMPANY STATEMENT

Homeland Vinyl Products, Inc. is dedicated to delivering high quality products and excellent service to our customers without exception. We understand the importance of our customers' success in the Fence, Deck, Railing and Outdoor Living Products markets. We value our relationships with our customers and pledge that we will operate at the highest level of integrity.

## CUSTOMER ACCOUNTS

All customers are required to complete an Application for Trade Account and update it periodically. This application requires the signature of a Corporate Officer, Managing Member, Partner or Owner. Homeland Vinyl Products, Inc. only sells wholesale. Customers are required to provide a copy of their company's sales tax exemption certificate or resale certificate before any sale can be initiated. Customers are further required to provide Homeland Vinyl Products, Inc. updated sales tax exemption or resale certificates upon expiration of the initial certificate provided. Standard terms are payment in full by electronic check, wire transfer, or credit card at time of shipment. Payments can be made at HomelandVinyl.com. Customers requesting credit terms must submit financial information. Credit terms are net 30 days subject to the approval of Homeland® based on financial data provided, credit checks, and payment history. Credit terms are subject to change. Customer accounts outside of agreed terms are subject to being placed On Hold with shipments held until the account is satisfied. Accounts not paid within terms will be charged interest at the rate of 1.5% per month. Prices are subject to change without notice.

## PLACING ORDERS

All orders are subject to acceptance and approval. All orders must be submitted in writing by fax or email to Homeland Vinyl Products, Inc. All product orders must be clearly identified by part number, color, detailed description, and quantity. Illegible orders will not be accepted. All orders will be confirmed in writing with the Terms and Conditions of Sale before acceptance. Confirmed orders cannot be canceled without authorization. Please contact a Homeland® Customer Service Representative for additional order information and requirements.

## SHIPMENT OF ORDERS / DAMAGE OR SHORTAGES

Homeland® ships products from the factory and from distribution centers. Homeland reserves the right to ship its customers the products they ordered from any location. All prices are F.O.B. point of shipment. The customer is responsible for reviewing all order confirmations for the correct customer shipping address. Homeland strives to find the cheapest reliable shipping method for all orders. Homeland is not responsible for delays in delivery when caused by strikes, fires, accidents, Acts of God, or other forces outside of Homeland's control. Please contact a Homeland Customer Service Representative for your specific needs and additional shipping information.

All shipments received should be immediately inspected by the customer. All dents, tears, breakages, or other visible damage to both packaging materials and products should be noted on the shipping documents with a copy given to the freight carrier and a copy sent to Homeland. Damages or lost product due to shipping must be reported and claimed from the freight carrier. All claims of material shortages or damaged goods must be made within 48 hours of customer's receipt of products.

## RETURNED GOODS POLICY

All returns of products must have the prior written approval of an authorized representative of Homeland®, must be for justifiable reasons, and must be within 60 days of receipt of product. Customers requesting to return products must submit in writing in advance of return a detailed list of the materials to be returned, date of purchase, invoice number, and reason for return. Custom and special order items will not be accepted for return. Do not return any items without a return authorization. All returned material must be shipped to the plant location from which the shipment originated. The material must be freight prepaid and include a list of the products returned and a copy of the Homeland return authorization. Returned products must be received by Homeland in same packaging and condition as originally sent and are subject to our Warehouse Manager's count and inspection. **Any credits issued for approved returns will be based on the invoice price of the returned products at time of purchase by customer less a restocking charge of 20%.**

## LIMITED WARRANTY

Homeland® warrants that the products we manufacture are free of defects in materials and workmanship subject to the terms of our published warranties. Products distributed by Homeland, but not manufactured by Homeland, are covered under the original manufacturer's warranty. Please contact a Homeland Customer Service Representative for specific information on the warranty of the Homeland products you wish to purchase. Additional warranty information is detailed in the Terms and Conditions on the back of each invoice.

**TERMS AND CONDITIONS OF SALE ARE SPECIFIED WITH ORDER CONFIRMATION AND DETAILED ON THE FRONT AND BACK OF EVERY INVOICE.**

# ITEM KEY EXPLANATION

## COLOR CODES

W – White   Y - Honey Maple   D - Adobe   I - Chai Gray   T - Tan   B - Beige  
 O - Mocha Walnut   U - Green Teak   S - Sand   G - Gray   H - Ash Gray  
**F7A1 (Gorilla Wood) Only   L – Light Gray   F - Dark Gray   C - Chestnut**

*(See following pages for Adobe, Gray, Ash Gray and Sand ordering guidelines)*

## INVENTORY CODES

<b>F54U</b>	<b>W</b>	<b>064</b>	<b>346</b>
Profile	Color	Length	Pieces
Code	Code	in Inches	per Bundle

Refer to profile sheet to obtain the profile code for the product you are ordering.  
 Always review your order confirmation with descriptions to ensure order accuracy.

When ordering a length that is fractional, use the following list to determine the proper code for the length you require.

1/4" - A	1/2" - B	3/4" - C	1/8" - D
3/8" - E	5/8" - F	7/8" - G	11/16" - H

Example: 64-1/2" would be 64B

## 2021 Guideline of Adobe, Ash Gray, Gray and Sand

Adobe, Ash Gray, Gray and Sand orders are considered special orders. Stock will not be produced in these profiles. **EXPECT LONG LEAD TIMES!**

### ADOBE from UTAH Plant can only be ordered in the following profiles & lengths in 2021:

F10E - 5" x 5" Post (8' & 16')	F83U - 7/8" Trim (10'2")	F3P1 - 1-1/2" x 8" Gorilla® Pocket Rail (71-1/2", 83", 16')	F57C - 7/8" x 3" Standard Picket (16')
F54G - 7/8" x 6" Utility T & G (60-1/4", 16')	F83S - 7/8" Trim (10'2")	F43C - 1-3/8" x 1-3/8" Picket (16')	F12C - 4" x 4" Post (16')
F61S - 7/8" x 11.3" Gorilla® T&G (60-1/4", 16')	F32G - 1.5" X 5.5" Gorilla® Pocket Rail (71.5", 16')	F45S - 1" x 1" Standard Picket (16')	F12N - 4" x 4" Post (16')
F24E - 2" x 3-1/2" Utility Rail (12')	F42S - 1-1/2" x 1-1/2" Picket (16')	F65S - 7/8" x 1-1/2" Standard Picket (16')	F86S - Gate Support Brace (8')

### ADOBE from TENNESSEE Plant can only be ordered in the following profiles & lengths in 2021:

F83U - 7/8" Trim (10'2")	F34C - 1-3/4" Nexus 1 T-Rail (71-3/8", 95-3/8", 119-3/8")	F57C - 7/8" x 3" Standard Picket (16')	F12N - 4" x 4" Post (16')
F42S - 1-1/2" x 1-1/2" Picket (16')	F3N2 - 1-3/4" Nexus 2 T-Rail (71-3/8", 95-3/8", 119-3/8")	F57C - SPC - 7/8" x 3" Spade Picket (45-7/8")	F12V - 4" x 4" Post (8')
F86S - Gate Support Brace (8')	F43C - 1-3/8" x 1-3/8" Picket (31-3/4', 32', 32-1/2', 38', 38-1/2', 16')	F57C - DEC - 7/8" x 3" Dog Ear Picket (45-7/8")	F12E - 4" x 4" Post (9', 16')
F24E - 2" x 3-1/2" Utility Rail (16')	F65S - 7/8" x 1-1/2" Standard Picket (16')	F42S - SPD - 1-1/2" x 1-1/2" Sharp Picket (45-7/8")	
F35C - 3-1/2" T-Rail (16')		F12C - 4" x 4" Post (16')	
F3PB - 1-3/4" x 2-1/4" Nexus Rail (71-3/8", 95-3/8", 119-3/8")			

# 2021 Guideline of Adobe, Ash Gray, Gray and Sand

Adobe, Ash Gray, Gray and Sand orders are considered special orders. Stock will not be produced in these profiles. **EXPECT LONG LEAD TIMES!**

## ADOBE from ALABAMA Plant can only be ordered in the following profiles & lengths in 2021:

<i>F10E - 5" x 5" Post (9' &amp; 16')</i>	<i>F54L - 7/8" x 6" Locking T &amp; G (16')</i>	<i>F89S - 3/4" Lattice Channel (8')</i>	<i>F08S - 6-1/2" x 6-1/2" Post (9', 16')</i>
<i>F54G - 7/8" x 6" Utility T &amp; G (16')</i>	<i>F22C - 2" x 6" Ribbed Rail (12', 16')</i>	<i>FTB - 4-1/2" Gorilla® Rail (24')</i>	<i>F08E - 6-1/2" x 6-1/2" Post (9', 10', 12')</i>
<i>F24E - 2" x 3-1/2" Utility Rail (16')</i>	<i>F3PM - 1-3/4" x 5-1/2" Nexus Mid Rail (16')</i>	<i>FHP1 - Palisade Rail (6", 8", 10')</i>	<i>F09C - 6" x 6" Post (9', 16')</i>
<i>F83U - 7/8" Trim (10'2")</i>	<i>F3P5 - 1-3/4" x 5-1/2" Nexus® Pocket Rail (16')</i>	<i>F43C - 1-3/8" x 1-3/8" Picket (16')</i>	<i>F12C - 4" x 4" Post (16')</i>
<i>F83S - 7/8" Trim (10'2")</i>	<i>F56R - 7/8" x 6" Ribbed Standard (16')</i>	<i>F45S - 1" x 1" Standard Picket (16')</i>	<i>F12N - 4" x 4" Post (16')</i>
<i>F42S - 1-1/2" x 1-1/2" Picket (16')</i>	<i>F26S - 2-1/8" x 2-3/4" Standard Rail (12', 16')</i>	<i>F57C - 7/8" x 3" Standard Picket (16')</i>	<i>F12V - 4" x 4" Post (8')</i>
<i>F32G - 1.5" X 5.5" Gorilla® Pocket Rail (70", 16')</i>	<i>FTG4 - Gorilla® Picket Channel (72")</i>	<i>F48S - 1" x 2" Standard Picket (16')</i>	<i>F12E - 4" x 4" Post (9', 16')</i>
<i>F35C - 3-1/2" T-Rail (16')</i>	<i>F86S - Gate Support Brace (8')</i>	<i>F06C - 8" x 8" Post (9')</i>	<i>F3P2 - 2" X 7" Nexus Pocket Rail (16')</i>
<i>F37C - 1-3/4" x 5-1/2" Gorilla® Pocket Rail (70", 16')</i>			
<i>F36S - Contour Rail (16')</i>			

## ASH GRAY from UTAH Plant can only be ordered in the following profiles & lengths in 2021:

<i>F10E - 5" x 5" Post (8', 16')</i>	<i>F61S - 7/8" x 11.3" Gorilla® T&amp;G (16')</i>
<i>F24E - 2" x 3-1/2" Utility Rail (12')</i>	<i>F83U - 7/8" Trim (10'2")</i>
<i>F32G - 1.5" X 5.5" Gorilla® Pocket Rail (71.5", 94")</i>	

## GRAY from NEW JERSEY Plant can only be ordered in the following profiles & lengths in 2021:

<i>F10E - 5" x 5" Post (9' &amp; 16')</i>	<i>F24E - 2" x 3-1/2" Utility Rail (16')</i>
<i>F54G - 7/8" x 6" Utility T &amp; G (16')</i>	<i>FFS7 - 2" x 7" Sun Pocket Rail (16')</i>
<i>F83U - 7/8" Trim (10'2")</i>	

## SAND from UTAH Plant can only be ordered in the following profiles & lengths in 2021:

<i>F10E - 5" x 5" Post (8' &amp; 16')</i>	<i>F83U - 7/8" Trim (10'2")</i>
<i>F32G - 1.5" X 5.5" Gorilla® Pocket Rail (71.5", 94")</i>	<i>F55B - 7/8" x 14" Gorilla® Privacy (29", 12'6") Run in AL</i>
<i>F54G - 7/8" x 6" Utility T &amp; G (60-1/4", 16')</i>	
<i>F24E - 2" x 3-1/2" Utility Rail (12')</i>	

**SORRY, "MTO" IS NOT AVAILABLE IN 3rd QUARTER OR UNTIL FURTHER NOTICE!**

Some profiles and lengths are only available as "Made To Order" (MTO) and will only be produced as can be determined by the Homelands website. Homelands reserves the right to change the MTO program at any time without notice. Homelands is not responsible for any delays or cancellations of MTO orders. Homelands is not responsible for any delays or cancellations of MTO orders.

## *Declaration of Principles Fence, Deck, and Rail Business*



Homeland Vinyl Products, Inc. is committed to the highest standards of quality in its Fence, Deck, and Rail business - both in the products it manufactures and the manner in which its business is conducted. Since Homeland's success is directly linked to the success of its customers, Homeland pledges to develop, fabricate and market innovative and successful vinyl fence, deck, and rail products.

Our commitment to our customers has three major components:

- Product Quality*
- Innovation and Leadership*
- Customer Service and Support*

Through quality, innovation, and an unwavering commitment to customer satisfaction, Homeland Vinyl Products, Inc. is building a secure and prosperous future for itself and its customers.

# FABRICATION GUIDELINES

**Homeland Vinyl Products does not warranty bowing of pickets.**  
**Please make sure of proper installation to reduce all of the factors mentioned.**

1. Make sure all metal stiffeners are in the correct orientation for the rail as used.
2. Make sure all rails are notched.
3. U-channel trim must be screwed to the post to help stabilize T&G boards.
4. Do not use any clear wrapping or shrink wrap on fence for storage or transportation. Make sure any wrap or protection of the fence or profiles does not absorb and retain heat. It will cause warping.
5. Product expansion and contraction is temperature dependent and will vary more in longer lengths and darker colors. Please take this into account during installation.
6. Do not store or install product next to a heat source.
7. Avoid installing the product near reflective surfaces (e.g. glass windows and glass doors), which can concentrate sunlight and heat the product.
8. Avoid installing the product on or adjacent to concrete, asphalt, or dark-colored gravel.
9. Make sure rail ends have at least 1 inch clearance of each other when inserted into posts for 6' spans, and at least 1.5 inch clearance on 8' spans. This will allow for adequate

expansion and contraction of rails within the posts and prevent bowing.

10. Do not put dirt or mulch against rails. It could cause rails to permanently bow out.

11. CAUTION - Make sure pickets are cut for adequate clearance within the rail pocket to allow for thermal expansion. If the pickets are binding against the rail, they will cause excessive bowing with thermal expansion. When dealing with installation on slopes, ensure that there is adequate clearance for pickets inside of the rail and cut picket at a slight angle if necessary.

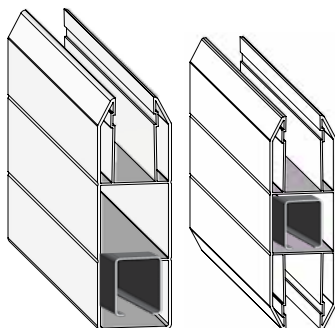
***In addition to guidelines 1-11, please consider the following information regarding Homewood series of products:***

1. Metal stiffeners must be used in all rails for the Homewood series of product.
2. Midrail or HVP approved metal picket stiffeners must be used to reduce T&G bowing.
3. Scratches will be more evident in darker colors. Use caution when transporting and installing the products.

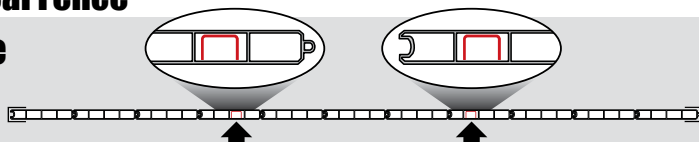
## Insert Placement & Orientation

### A. Can be used for: 5-1/2", 7" and 8" Nexus or Gorilla Pocket Rail & Mid-Rail

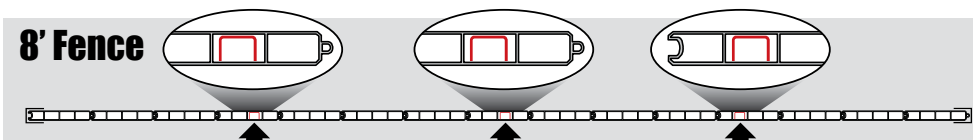
Proper steel insert orientation shown for bottom rail.  
 Reverse for top rail.



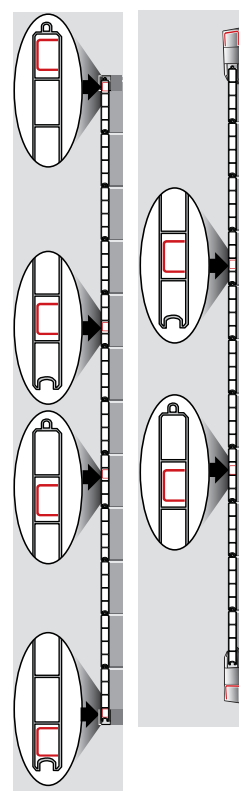
### B. Vertical Fence 6' Fence



### 8' Fence



### C. Horizontal Fence





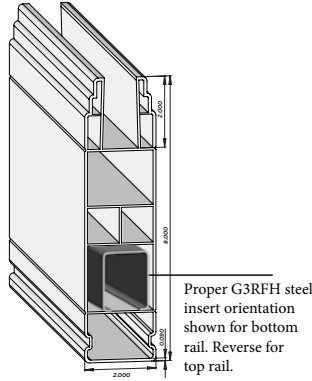
# FENCE PROFILES





# PRIVACY FENCE POCKET RAIL

## 2" X 8" NEXUS® POCKET RAIL

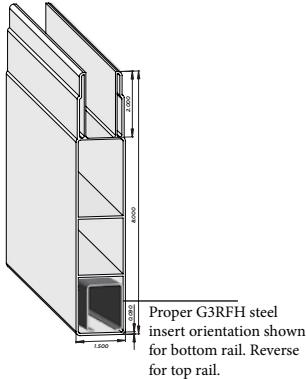


**F3P8**  
**2"x8" Nexus® Pocket Rail**  
**(7/8" x 2" Pocket)**  
**Pcs/Pallet: 55**

**NJ - 70", 94" (WHITE ONLY)**

**F3P8 LIMITED AVAILABILITY.**  
**RUN ONLY ONCE OR TWICE**  
**YEARLY.**

## 1-1/2" X 8" GORILLA® POCKET RAIL



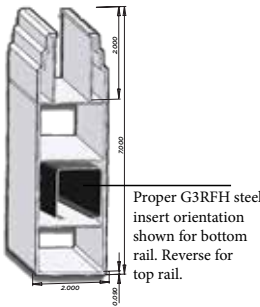
**F3P1**  
**1-1/2" x 8" Gorilla® Pocket Rail**  
**(7/8" x 2" Pocket)**  
**Pcs/Pallet: 72**

**NJ - 94" (WHITE ONLY)**  
**UT - 71-1/2", 76", 83", 94", 16' (WHITE & TAN)**  
**UT - 71-1/2", 83", 16' (ADOBE)**  
**FL - 70", 94" (Stocked in FL) (WHITE ONLY)**

**F3P1 NJ, RUN ONLY ONCE OR**  
**TWICE YEARLY.**

F3P1 - Adobe is Available - See Page 4 & 5

## 2" X 7" SUN POCKET RAIL



**FFS7**  
**2" x 7" Sun Pocket Rail**  
**(7/8" x 2" Pocket)**  
**Pcs/Pallet: 66**

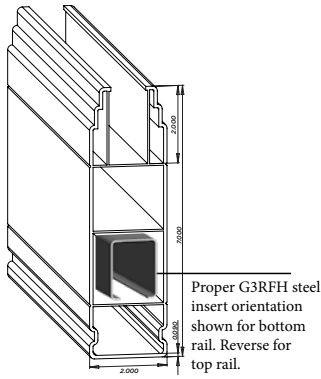
**NJ - 94", 12', 16' (WHITE & TAN ONLY)**  
**NJ - 16' (GRAY)**

FFS7 - Adobe is Gray - See Page 4 & 5

Availability and profile dimensions are subject to change without notice. Check with manufacturer before ordering.  
 All dimensions are subject to manufacturer's tolerances. Nexus® is a registered trademark of Homeland Vinyl Products, Inc.  
 Gorilla® is a registered trademark of Homeland Vinyl Products, Inc. \*\*Only runs once or twice yearly.

# PRIVACY FENCE POCKET RAIL

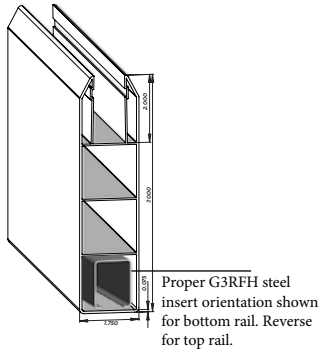
## 2" X 7" NEXUS® POCKET RAIL



**F3P2**  
**2" x 7" Nexus® Pocket Rail**  
**(7/8" x 2" Pocket)**  
**Pcs/Pallet: 66**  
**AL - 70", 94", 16' (WHITE & TAN ONLY)**  
**AL - 16' (ADOBE)**  
**NJ - 70", 94", 16' (WHITE & TAN ONLY)**  
**FL - 70", 94" (Stocked in FL) (WHITE & TAN ONLY)**

F3P2 - Adobe is Available - See Page 4 & 5

## 1-3/4" X 7" NEXUS® POCKET RAIL



**F3P7**  
**1-3/4" x 7" Nexus® Pocket Rail**  
**(7/8" x 2" Pocket)**  
**Pcs/Pallet: 72**  
**AL - 70", 94" (WHITE & TAN ONLY)**  
**UT - 94" (WHITE & TAN ONLY)**  
**FL - 70" (Stocked in FL) (WHITE & TAN ONLY)**

## 2" X 7" GORILLA® POCKET RAIL



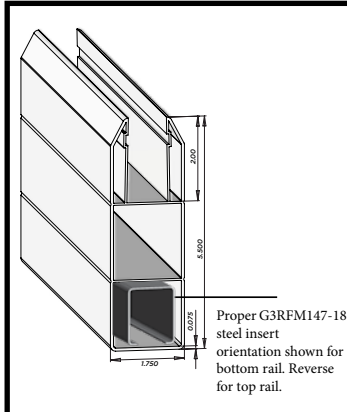
**F3BF**  
**2" x 7" Gorilla® Pocket Rail**  
**(7/8" x 2" Pocket)**

**NOT AVAILABLE IN 3RD  
 QUARTER OR UNTIL  
 FURTHER NOTICE!**

Availability and profile dimensions are subject to change without notice. Check with manufacturer before ordering. All dimensions are subject to manufacturer's tolerances. \*\*Only runs once or twice yearly.

Gorilla® is a registered trademark of Homeland Vinyl Products, Inc. Nexus® is a registered trademark of Homeland Vinyl Products, Inc.

# PRIVACY FENCE POCKET RAIL



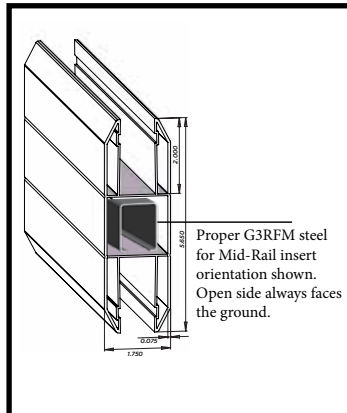
## 1-3/4" X 5-1/2" NEXUS® POCKET RAIL

**F3P5**  
**1-3/4" x 5-1/2" Nexus® Pocket Rail**  
**(7/8" x 2" Pocket)**  
**Pcs/Pallet: 98**  
**AL - 70", 94" (WHITE ONLY)**  
**AL - 70", 16' (TAN ONLY)**  
**AL - 16' (ADOBE)**

**Note: 16' Insert Required Separately**

F3P5 - Adobe is Available - See Page 4 & 5

**F3P5 HOMEWOOD OPTIONS NOT AVAILABLE IN 3rd QUARTER**



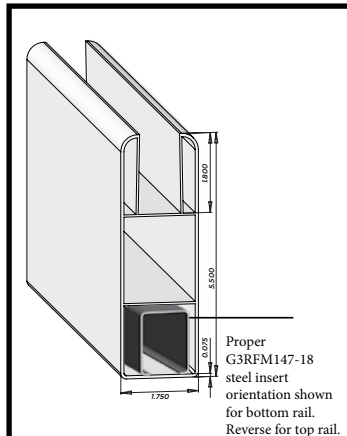
## 1-3/4" X 5-1/2" NEXUS® MID-RAIL

**F3PM**  
**1-3/4" x 5-1/2" Nexus® Mid-Rail**  
**(7/8" x 2" Pocket)**  
**Pcs/Pallet: 98**  
**AL - 70", 16' (WHITE & TAN)**  
**AL - 16' (ADOBE)**

**Note: 16' Insert Required Separately**

F3PM - Adobe is Available - See Page 4 & 5

**F3PM HOMEWOOD OPTIONS NOT AVAILABLE IN 3rd QUARTER**



## 1-3/4" X 5-1/2" GORILLA® POCKET RAIL

**F37C**  
**1-3/4" x 5-1/2" Gorilla® Pocket Rail**  
**(7/8" x 1 3/4" Pocket)**  
**Pcs/Pallet: 98**  
**AL - 70", 94", 16' (WHITE & TAN)**  
**AL - 70", 16' (ADOBE)**  
**NJ - 70", 94", 16' (WHITE & TAN)**  
**UT - 71-1/2", 94", 16' (WHITE & TAN)**  
**FL - 70", 94" (WHITE & TAN)**

F37C - Adobe Is Available -  
 See Page 4 & 5

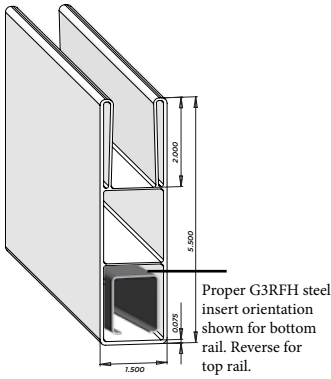
Availability and profile dimensions are subject to change without notice. Check with manufacturer before ordering.

All dimensions are subject to manufacturer's tolerances. \*\*Only runs once or twice yearly.

Gorilla® is a registered trademark of Homeland Vinyl Products, Inc. Nexus® is a registered trademark of Homeland Vinyl Products, Inc.

**PRIVACY FENCE  
POCKET RAIL**

**1-1/2" X 5-1/2" GORILLA® POCKET RAIL**

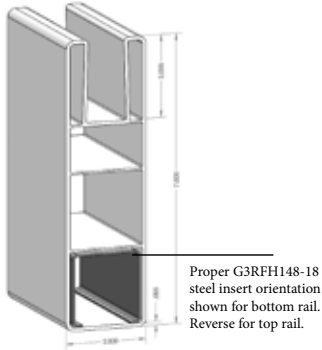


**F32G**  
**1-1/2" x 5-1/2" Gorilla® Pocket Rail**  
**(7/8" x 2" Pocket)**  
**Pcs/Pallet: 114**  
**AL - 70", 94", 16' (WHITE & TAN)**  
**AL - 70", 16' (ADOBE)**  
  
**NJ - 70", 94", 16' (WHITE & TAN)**  
  
**UT - 71-1/2", 76", 83", 94", 16' (WHITE, TAN)**  
**UT - 71-1/2", 94" (SAND & ASH GRAY)**  
**UT - 71-1/2", 16' (ADOBE)**  
  
**FL - 70", 94" (WHITE & TAN ONLY)**

**Note: 16' Insert Required Separately**

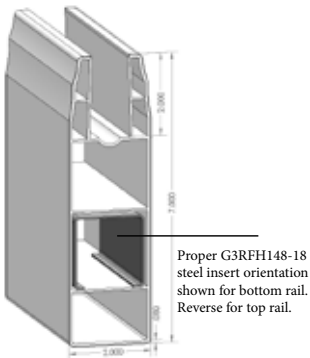
F32G - Ash Gray, Sand and Adobe Is Available -  
 See Page 4 & 5

**2" X 7" HOMETOWN POCKET RAIL**



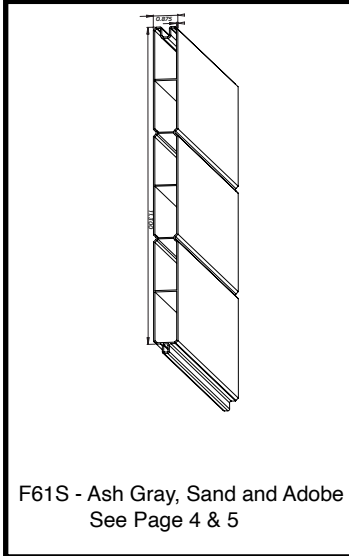
**F3HT**  
**2"x 7" Hometown Pocket Rail**  
**(7/8" x 2" Pocket)**  
**Pcs/Pallet: 64**  
**NJ - 70", 94", 16' (WHITE & TAN ONLY)**

**2" X 7" MAJESTIC POCKET RAIL**



**F3MJ**  
**2"x 7" Majestic Pocket Rail**  
**(7/8" x 2" Pocket)**  
**Pcs/Pallet: 66**  
**NJ - 70", 94" (WHITE & TAN ONLY)**

**PRIVACY FENCE  
PRIVACY PICKETS**



**7/8" X 11.3" GORILLA® T&G**

**F61S**  
**7/8" x 11.3" Gorilla® T&G**  
**Pcs/Pallet: 100**

**UT - 55-1/4", 60-1/4", 62-1/4", 64",**  
**16' (100 Pcs/Pallet) (WHITE, TAN)**  
**UT - 60-1/4", 16' (100 Pcs/Pallet) (ADOBE)**  
**UT - 16' (100 Pcs/Pallet) (ASH GRAY)**

F61S - Ash Gray, Sand and Adobe Is Available -  
 See Page 4 & 5



**7/8" X 11.3" GORILLA® LOCKING PICKET**

**F61L**  
**7/8" x 11.3" Gorilla® Locking Picket**  
**Pcs/Pallet: 100**

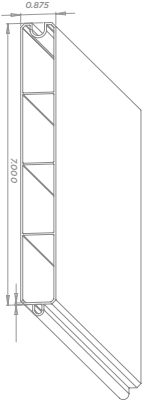
**NOT AVAILABLE IN 3RD  
QUARTER OR UNTIL  
FURTHER NOTICE!**

F61L LIMITED AVAILABILITY.

W=White, T=Tan, D=Adobe

Availability and profile dimensions are subject to change without notice. Check with manufacturer before ordering.  
 All dimensions are subject to manufacturer's tolerances. \*\*Only runs once or twice yearly.  
 Gorilla® is a registered trademark of Homeland Vinyl Products, Inc.

PRIVACY FENCE  
PRIVACY PICKETS

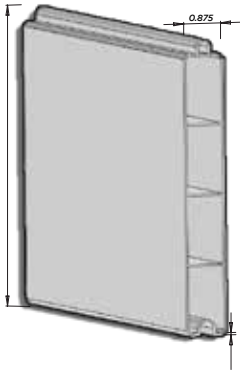


7/8" X 7" GORILLA® T&G

F62S  
7/8" x 7" Gorilla® T&G  
Pcs/Pallet: 148 (16')

**NOT AVAILABLE IN 3RD  
QUARTER OR UNTIL  
FURTHER NOTICE!**

AL - 60", 61"  
NJ - 60", 61", 16'  
UT - 60", 61", 16'  
FL - 60", 61", 16'  
RUN ONLY ONCE OR TWICE  
YEARLY.



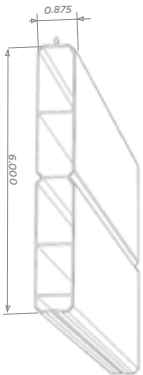
7/8" X 6" GORILLA® T&G

F54G  
7/8" x 6" Gorilla® T&G  
Pcs/Pallet: 178 (16'),  
Shorter Lengths, 346

AL - 48", 52", 57-1/2", 59-1/2", 61",  
62-1/4", 64", 66-1/2", 69-1/2", 70", 16' (WHITE, TAN)  
AL - 16' (ADOBE)  
NJ - 48", 52", 57-1/2", 59-1/2", 61", 62-1/4", 64", 16' (WHITE & TAN)  
NJ - 16' (GRAY)  
UT - 47-1/4", 55-1/4", 59-1/4", 60-1/4",  
62-1/4", 72", 16' (WHITE, TAN)  
UT - 60-1/4", 16' (ADOBE & SAND)  
FL - 62-1/4", 16' (WHITE & TAN ONLY)

F54G - Gray, Adobe and Sand Is Available -  
See Page 4 & 5

F54C HOMEWOOD OPTIONS NOT  
AVAILABLE IN 3rd QUARTER



7/8" X 6" GORILLA® DECORTIVE LOCKING PICKET

F54D  
7/8" x 6" Gorilla® Decorative Locking Picket

**NOT AVAILABLE IN 3RD  
QUARTER OR UNTIL  
FURTHER NOTICE!**

AL - 59-1/2", 62-1/4" (WHITE, TAN & ADOBE)  
NJ - 59-1/2", 62-1/4", 64", 66-1/2", 69-1/2", 70", 16' (WHITE & TAN ONLY)  
UT - 59-1/4", 60-1/4", 62-1/4", 72", 16' (WHITE, TAN)  
FL - 62-1/4", 16' (WHITE & TAN ONLY)  
RUN ONLY ONCE OR TWICE  
YEARLY.

F54D - Adobe Is Available -  
See Page 4 & 5

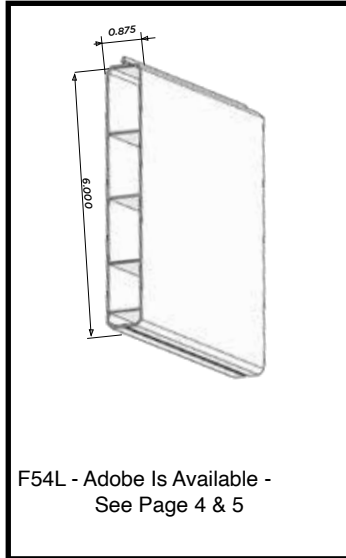
Availability and profile dimensions are subject to change without notice. Check with manufacturer before ordering.  
All dimensions are subject to manufacturer's tolerances. \*\*Only runs once or twice yearly.

Gorilla® is a registered trademark of Homeland Vinyl Products, Inc.

HOMELAND VINYL PRODUCTS, Inc.

Homeland Profiles: 800.999.6813 | www.Homelandvinyl.com

# PRIVACY FENCE FENCE



## 7/8" X 6" GORILLA® LOCKING PICKET

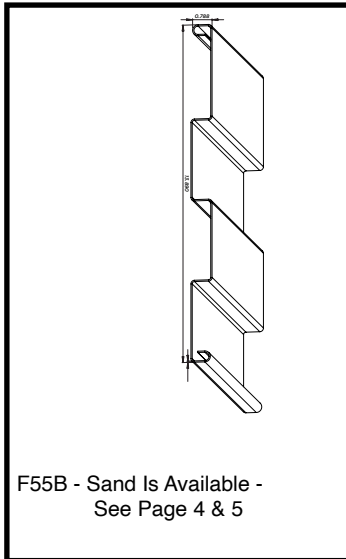
**F54L**  
7/8" x 6" Gorilla® Locking Picket

**Pcs/Pallet: 178 (16'),  
Shorter Lengths, 346**

**AL - 59-1/2, 62-1/4" (WHITE & TAN)**  
**AL - 16' (ADOBE)**  
**NJ - 35-1/2", 47-1/2", 59-1/2", 62-1/4", 83-1/2", 16' (WHITE & TAN ONLY)**

**F54L LIMITED AVAILABILITY.  
RUN ONLY ONCE OR TWICE  
YEARLY.**

F54L - Adobe Is Available -  
See Page 4 & 5



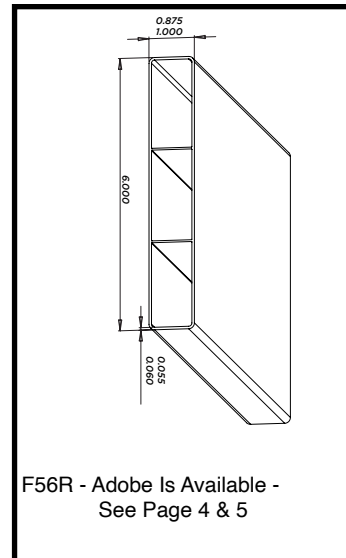
## 7/8" X 14" GORILLA® PRIVACY NO EMOSS PANEL

**F55B**  
7/8" x 14" Gorilla® Privacy No Emboss Panel

**Pcs/Pallet: 96**  
**AL - 29", 64", 12'6" (WHITE & SAND ONLY)**

**F55B LIMITED AVAILABILITY.  
RUN ONLY ONCE OR TWICE  
YEARLY.**

F55B - Sand Is Available -  
See Page 4 & 5



## 7/8" X 6" RIBBED STANDARD

**F56R**  
7/8"x6" Ribbed Standard

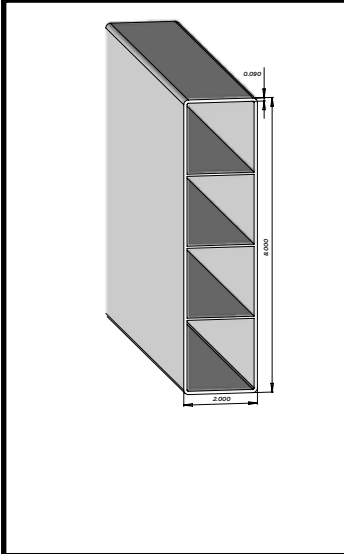
**Pcs/Pallet: 178**  
**AL - 69-1/2" 12', 16' (WHITE & TAN)**  
**AL - 16' (ADOBE)**  
**NJ - 16' (Stocked In NJ - White & Tan) (WHITE & TAN ONLY)**  
**UT - 16' (WHITE & TAN ONLY)**  
**FL - 69-1/2", 16' (Stocked in FL) (WHITE & TAN ONLY)**

F56R - Adobe Is Available -  
See Page 4 & 5

Availability and profile dimensions are subject to change without notice. Check with manufacturer before ordering.  
All dimensions are subject to manufacturer's tolerances.  
\*\*Only runs once or twice yearly.



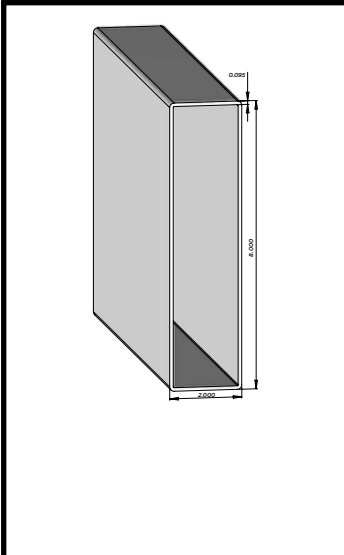
# FENCE RAILS



## 2" X 8" RIBBED RAIL

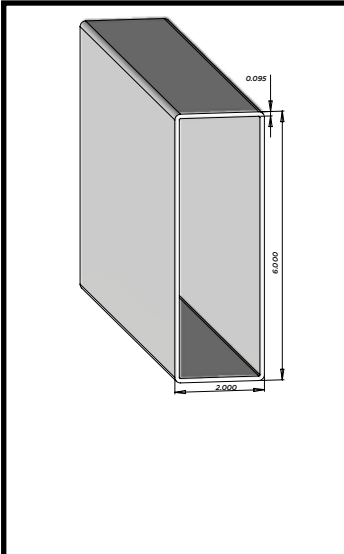
**F20R**  
**2"x8" Ribbed Rail**  
**Pcs/Pallet: 66**  
**AL - 16', 24' (WHITE & TAN ONLY)**

**F20R LIMITED AVAILABILITY.  
 RUN ONLY ONCE OR TWICE  
 YEARLY.**



## 2" X 8" HOLLOW RAIL

**F20S**  
**2" X 8" Hollow Rail**  
**Pcs/Pallet: 66**  
**AL - 16', 24' (WHITE & TAN ONLY)**



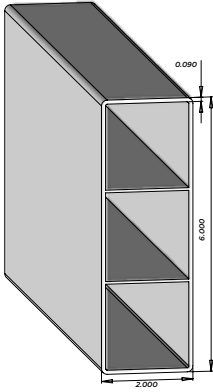
## 2" X 6" HOLLOW RAIL

**F22E**  
**2"x6" Hollow Rail**  
**Pcs/Pallet: 88**  
**AL - 16', 24' (WHITE & TAN ONLY)**

Availability and profile dimensions are subject to change without notice. Check with manufacturer before ordering.  
 All dimensions are subject to manufacturer's tolerances.  
 \*\*Only runs once or twice yearly.

# FENCE RAILS

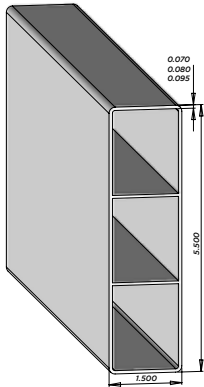
## 2" X 6" RIBBED RAIL



- F22C**  
**(0.090 wall)**  
**2"x6" Ribbed Rail**  
**Pcs/Pallet: 88**  
**AL - 94", 12', 16' (WHITE & TAN)**  
**AL - 12', 16' (ADOBE)**  
**NJ - 8', 94", 16' (Stocked In NJ - White & Tan) (WHITE & TAN ONLY)**  
**UT - 12', 16' (WHITE & TAN ONLY)**  
**FL - 16' (Stocked in FL - White & Tan) (WHITE & TAN ONLY)**

F22C - Adobe Is Available - See Page 6

## 1-1/2" X 5-1/2" RIBBED RAIL (UTILITY & UTILITY VALUE)



- F27E (0.080 Wall)**  
**1-1/2" x 5-1/2" Ribbed Utility Rail**  
**Pcs/Pallet: 114**  
**AL - 94", 16' (WHITE & TAN ONLY)**  
**UT - 16' (WHITE & TAN ONLY)**  
**TX - 94", 16' (WHITE ONLY)**

- F27M (0.070 Wall)**  
**1-1/2" x 5-1/2" Utility Value Rail (Color Inside)**  
**Pcs/Pallet: 114**  
**AL - 16' (WHITE & TAN ONLY)**  
**UT - 16' (WHITE & TAN ONLY)**  
**FL - 16' (Stocked in FL) (WHITE & TAN ONLY)**  
**TX - 16' (WHITE ONLY)**

**F27C HOMEWOOD OPTIONS NOT AVAILABLE IN 3rd QUARTER**

Availability and profile dimensions are subject to change without notice. Check with manufacturer before ordering.

All dimensions are subject to manufacturer's tolerances.

\*Limited availability, Check with customer service.

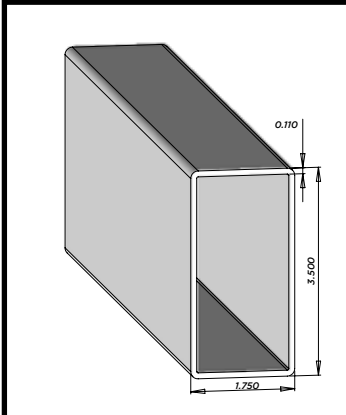
\*\*Only runs once or twice yearly.

HOMELAND VINYL PRODUCTS, Inc.

21-201- M1116-21H

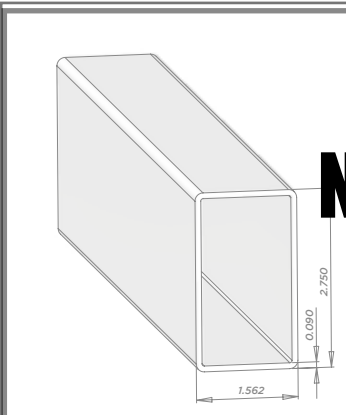
Homeland Profiles: 800.999.6813 | www.Homelandvinyl.com

# FENCE RAILS



## 1-3/4" X 3-1/2" HOLLOW STANDARD

F25B (0.110 wall)  
 1-3/4" x 3-1/2" Hollow Standard Rail  
 Pcs/Pallet: 156  
 AL - 12', 16' (WHITE & TAN ONLY)  
 UT - 12', 16' (WHITE & TAN ONLY)  
 FL - 12' (Stocked in FL) (WHITE & TAN ONLY)



## 1-1/2" X 2-3/4" STANDARD RAIL

F23S (0.090 wall)  
 1-1/2" x 2-3/4" Standard Rail  
 Pcs/Pallet: 224

**NOT AVAILABLE IN 3RD  
 QUARTER OR UNTIL  
 FURTHER NOTICE!**

Availability and profile dimensions are subject to change without notice. Check with manufacturer before ordering.

All dimensions are subject to manufacturer's tolerances.

\*Limited availability, Check with customer service.

\*\*Only runs once or twice yearly.

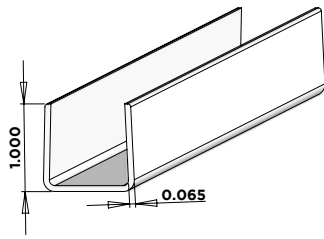
HOMELAND VINYL PRODUCTS, Inc.

Homeland Profiles: 800.999.6813 | www.Homelandvinyl.com

# FENCE / SPECIALTY PRODUCTS

## RAILS, U-CHANNEL, TRIM CHANNEL

### 7/8" U-CHANNEL STANDARD



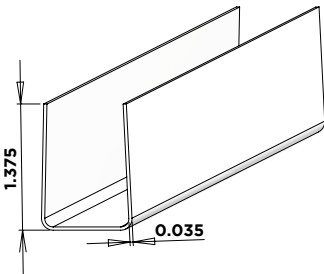
**F83S**  
**7/8" U-Channel Standard**  
**Pcs/Box: 64 (10' 2")**  
**(Shorter lengths**  
**1280 Pcs/Pallet)**  
**AL - 10'2", 60-7/8" (WHITE & TAN)**  
**AL - 10'2" (ADOBE)**  
**NJ - 10'2" (Stocked In NJ) (WHITE, TAN & ADOBE)**  
**UT - 10'2" (Stocked In UT) (WHITE, TAN & ADOBE)**

**- NO MTO**

F83S - Adobe Is Available -  
 See Page 4 & 5

**F83S HOMEWOOD OPTIONS NOT  
 AVAILABLE IN 3rd QUARTER**

### 7/8" TRIM CHANNEL

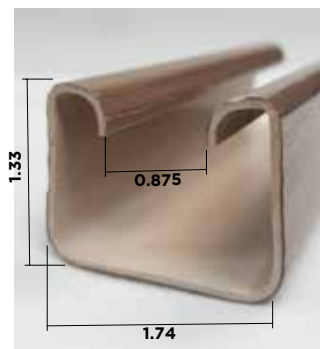


**F83U**  
**7/8" Trim Channel**  
**Pcs/Box: 60 (10' 2")**  
**(Shorter lengths**  
**840 Pcs/Pallet)**  
**AL - 10'2", 58-3/4", 59-1/4", 60-7/8" (WHITE & TAN)**  
**AL - 10'2" (ADOBE, SAND, GRAY & ASH GRAY)**  
**NJ - 58", 58-3/4", 60-7/8", 10'2" (Stocked In NJ) (WHITE & TAN)**  
**TN - 10'2", 58-3/4", 59-1/4", 60-7/8" (WHITE & TAN)**  
**TN - - 10'2" (ADOBE, SAND, GRAY & ASH GRAY)**  
**UT - 10'2", 52", 57", 58-3/4", 59" (Stocked In UT) (WHITE & TAN)**  
**UT - - 10'2" (ADOBE, SAND, GRAY & ASH GRAY)**  
**FL - 58-3/4", 59", 59-1/4" (Stocked in FL) (WHITE & TAN ONLY)**

**- NO MTO**

F83U - Adobe, Sand, Gray & Ash Gray Is Available -  
 See Page 4 & 5

### GORILLA® PICKET CHANNEL



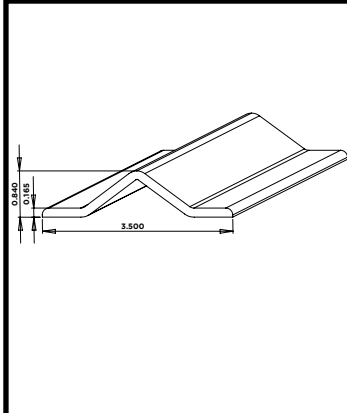
**FTG4**  
**Gorilla Picket Channel**  
**Pcs/Box: 40 Box**  
  
**AL - 72" (WHITE, TAN & ADOBE)**

FTG4 - Adobe Is Available -  
 See Page 4 & 5

**FTG4 HOMEWOOD OPTIONS NOT  
 AVAILABLE IN 3rd QUARTER**

Availability and profile dimensions are subject to change without notice. Check with manufacturer before ordering.  
 All dimensions are subject to manufacturer's tolerances.  
 \*\*Only runs once or twice yearly.

**SPECIALTY PRODUCTS**  
**GATE BRACE, LATTICE CHANNEL**



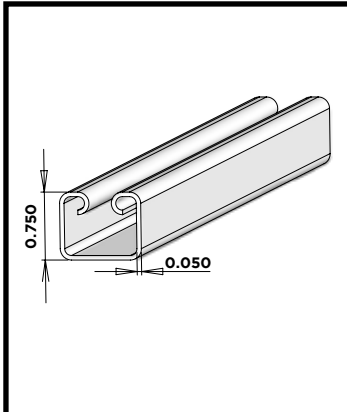
**GATE SUPPORT BRACE**

**F86S (0.165 wall)**  
**Gate Support Brace**  
**Bundled: 240 pcs**  
**Boxed: 24 pcs**

**- NO MTO**

- AL - 8' (Bundled), 12' (Box) (WHITE & TAN)**
- AL - 8' (Bundled), (ADOBE)**
- FL - 8' (Bundled) (Stocked in FL) (WHITE & TAN ONLY)**
- TN - 8' (Bundled) (WHITE, TAN & ADOBE)**
- UT - 8' (Bundled) (Stocked in UT) (WHITE, TAN & ADOBE)**

F86S - Adobe Is Available -  
 See Page 4 & 5



**3/4" LATTICE CHANNEL**

**F89S (0.050 wall)**  
**3/4" Lattice Channel**  
**Pcs/Box: 60**

**- NO MTO**

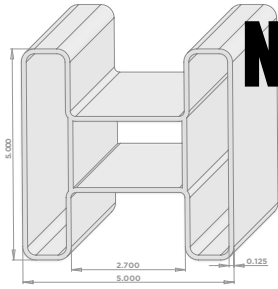
- AL - 8' (WHITE, TAN & ADOBE)**

F89S - Adobe Is Available -  
 See Page 4 & 5

Availability and profile dimensions are subject to change without notice. Check with manufacturer before ordering.  
 All dimensions are subject to manufacturer's tolerances.

PRIVACY FENCE  
TUF-FENCE®

TUF-FENCE® H-POST



FT01

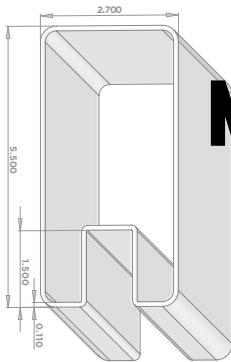
Tuf-Fence®  
H-Post

**NOT AVAILABLE IN 3RD  
QUARTER OR UNTIL  
FURTHER NOTICE!**

AL - 9' (WHITE & ADOBE ONLY)

THESE ARE AVAILABLE YEARLY.  
CHECK WITH MANUFACTURER FOR  
YEARLY.

TUF-FENCE® POCKET RAIL



FT12

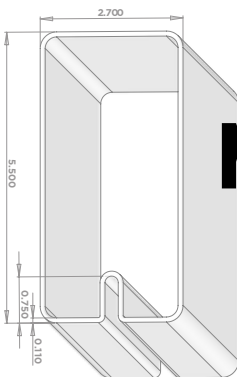
Tuf-Fence®  
Pocket Rail

**NOT AVAILABLE IN 3RD  
QUARTER OR UNTIL  
FURTHER NOTICE!**

AL - 9' (WHITE & ADOBE ONLY)

THESE ARE AVAILABLE YEARLY.  
CHECK WITH MANUFACTURER FOR  
YEARLY.

TUF-FENCE® LATTICE TOP RAIL



FT13

Tuf-Fence®  
Lattice Top Rail

**NOT AVAILABLE IN 3RD  
QUARTER OR UNTIL  
FURTHER NOTICE!**

AL - 9' (WHITE & ADOBE ONLY)

THESE ARE AVAILABLE YEARLY.  
CHECK WITH MANUFACTURER FOR  
YEARLY.

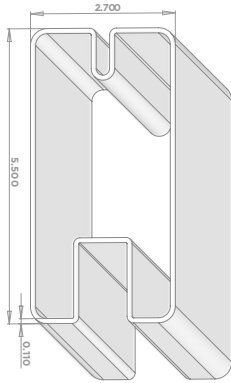
Availability and profile dimensions are subject to change without notice. Check with manufacturer before ordering.

All dimensions are subject to manufacturer's tolerances. \*\*Only runs once or twice yearly.

Gorilla® is a registered trademark of Homeland Vinyl Products, Inc. Tuf-Fence® is a registered trademark of Homeland Vinyl Products, Inc.

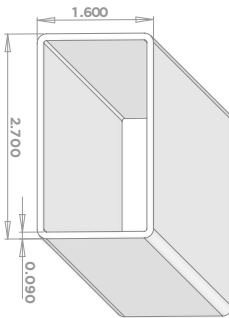
PRIVACY FENCE  
TUF-FENCE®

TUF-FENCE® MID-RAIL



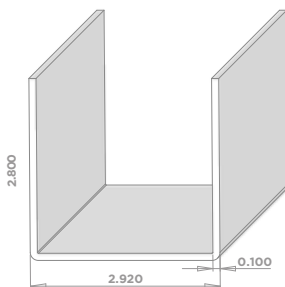
FT11  
Tuf-Fence®  
Mid-Rail  
**NOT AVAILABLE IN 3RD  
QUARTER OR UNTIL  
FURTHER NOTICE!**  
AL - 96.25" (WHITE & ADOBE ONLY)  
YEARLY.

TUF-FENCE® H-POST INSERT



FT02  
Tuf-Fence®  
H-Post Insert  
**NOT AVAILABLE IN 3RD  
QUARTER OR UNTIL  
FURTHER NOTICE!**  
AL - 8' (WHITE & ADOBE ONLY)

TUF-FENCE® U-CHANNEL (LONG LEG)



FT03  
Tuf-Fence®  
U-Channel (Long Leg)  
**NOT AVAILABLE IN 3RD  
QUARTER OR UNTIL  
FURTHER NOTICE!**  
AL - 8' (WHITE & ADOBE ONLY)

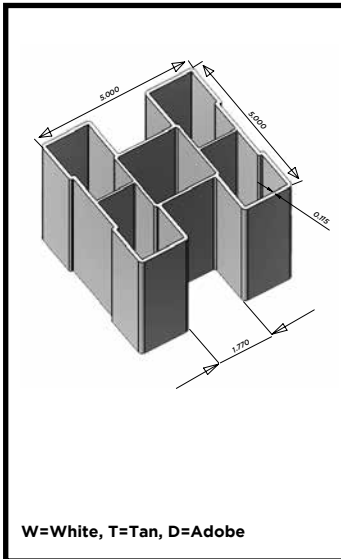
Availability and profile dimensions are subject to change without notice. Check with manufacturer before ordering.

All dimensions are subject to manufacturer's tolerances. \*\*Only runs once or twice yearly.

Gorilla® is a registered trademark of Homeland Vinyl Products, Inc. Tuf-Fence® is a registered trademark of Homeland Vinyl Products, Inc.



# PRIVACY FENCE GORILLA® FENCE



## 5" X 5" GORILLA® H-POST

**FTG1 (0.115 wall)**  
5" x 5" Gorilla®  
H-Post

AL - 9'

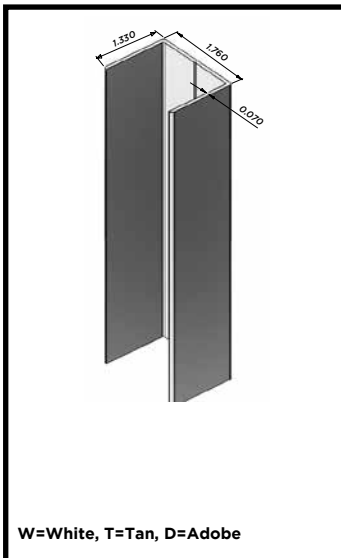
FTG1 LIMITED AVAILABILITY.  
RUN ONLY ONCE OR TWICE  
YEARLY.

**HOMEWOOD OPTION FTG1**  
O=Mocha Walnut, Y=Honey Maple,  
I=Chai Gray,, U=Green Teak

**FTG1**  
AL - 9'

**SPECIAL 2021  
INSTRUCTIONS!  
CALL YOUR CUSTOMER  
SERVICE / SALES  
PERSON FOR MORE  
INFO!**

W=White, T=Tan, D=Adobe



## 1-1/2 GORILLA® POST INSERT

**FTG2 (0.070 wall)**  
1-1/2 Gorilla®  
Post Insert

AL - 8'

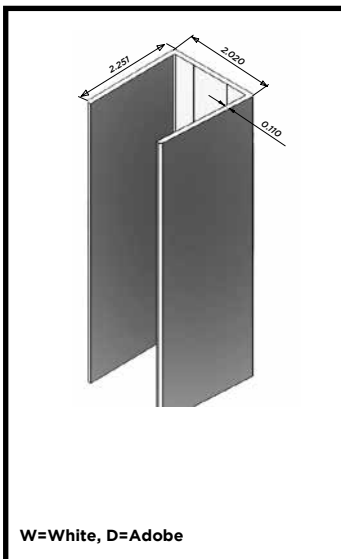
FTG2 LIMITED AVAILABILITY.  
RUN ONLY ONCE OR TWICE  
YEARLY.

**HOMEWOOD OPTION FTG2**  
O=Mocha Walnut, Y=Honey Maple,  
I=Chai Gray,, U=Green Teak

**FTG2**  
AL - 8'

**SPECIAL 2021  
INSTRUCTIONS!  
CALL YOUR CUSTOMER  
SERVICE / SALES  
PERSON FOR MORE  
INFO!**

W=White, T=Tan, D=Adobe



## 1-3/4 GORILLA® FENCE U-CHANNEL

**FTG3 (0.110 wall)**  
1-3/4 Gorilla®  
Fence U-Channel

AL - 8'

FTG3 LIMITED AVAILABILITY.  
RUN ONLY ONCE OR TWICE  
YEARLY.

**HOMEWOOD OPTION FTG3**  
O=Mocha Walnut, Y=Honey Maple,  
I=Chai Gray,, U=Green Teak

**FTG3**  
AL - 8'

**SPECIAL 2021  
INSTRUCTIONS!  
CALL YOUR CUSTOMER  
SERVICE / SALES  
PERSON FOR MORE  
INFO!**

W=White, D=Adobe

Availability and profile dimensions are subject to change without notice. Check with manufacturer before ordering.  
All dimensions are subject to manufacturer's tolerances. \*\*Only runs once or twice yearly.

Gorilla® is a registered trademark of Homeland Vinyl Products, Inc.

HOMELAND VINYL PRODUCTS, Inc.

21-201- M1116-21H

Homeland Profiles: 800.999.6813 | www.Homelandvinyl.com

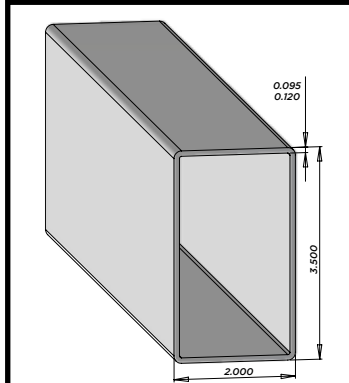
# GORILLA® GUARD RAIL PROFILES

Gorilla® is a trademark of Homeland Vinyl Products, Inc.



# GORILLA™ GUARD RAIL

## SUMMIT® 2x3-1/2, T-RAIL, CONTOUR



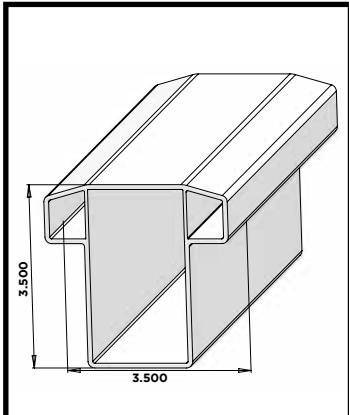
F24E - Adobe, Sand, Gray & Ash  
Gray Is Available -  
See Page 4 & 5

### 2" X 3-1/2" HOLLOW UTILITY RAIL

**F24E (0.095 Wall)**  
**2"x3-1/2" Hollow Utility Rail**  
**Pcs/Pallet: 143**  
**AL - 6', 94", 8', 10', 16', 24' (WHITE & TAN)**  
**AL - 16' (ADOBE & GRAY)**  
**UT - 8', 12', 16' (WHITE & TAN)**  
**UT - 12' (ADOBE, SAND & ASH GRAY)**  
**FL - 6', 8' (Stocked in FL) (WHITE & TAN ONLY)**  
**TN - 6', 94", 8', 10', 16', 24' (WHITE & TAN)**  
**TN - 16' (ADOBE)**

**F24C (0.120 Wall)**  
**2"x3-1/2" Hollow Standard Rail**  
**Pcs/Pallet: 143**  
**AL - 6', 8', 16', 24' (WHITE, TAN)**  
**UT - 6', 8', 12', 16' (WHITE, TAN)**  
**TN - 6', 8', 16', 24' (WHITE, TAN)**

**F24E HOMEWOOD  
 OPTIONS NOT AVAILABLE  
 IN 3rd QUARTER**

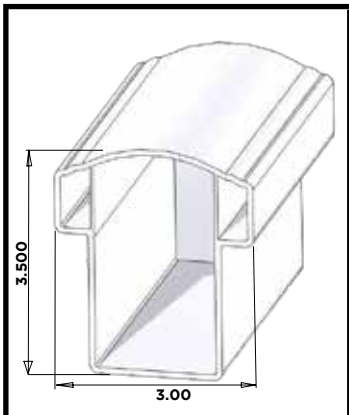


F35C - Adobe Is Available -  
See Page 4 & 5

### 3-1/2" GORILLA® T-RAIL

**F35C (0.090 wall)**  
**3-1/2" Gorilla® T-Rail**  
**Pcs/Pallet: 90**  
**AL - 6', 8', 10', 16' (WHITE & TAN ONLY)**  
**AL - 16' (ADOBE)**  
**TN - 6', 8', 10', 16' (WHITE & TAN ONLY)**  
**TN - 16' (ADOBE)**

**F35C HOMEWOOD OPTIONS NOT  
 AVAILABLE IN 3rd QUARTER**



F36S - Adobe Is Available -  
See Page 4 & 5

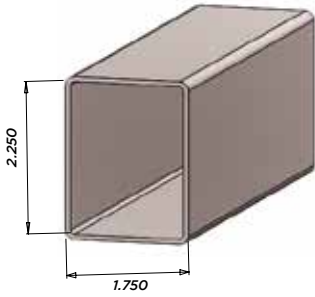
### 3" CONTOUR RAIL

**F36S (0.095 wall)**  
**3" Contour Rail**  
**Pcs/Pallet: 102**  
**AL - 6', 8', 10', 24' (WHITE & TAN ONLY)**  
**AL - 16' (ADOBE)**

See ESR-1657 report for detailed applications. Check local building codes in your area.  
 Availability and profile dimensions are subject to change without notice. Check with manufacturer before ordering.  
 All dimensions are subject to manufacturer's tolerances.  
 \*Limited availability, Check with customer service.

# GORILLA™ GUARD RAIL

## NEXUS® 1-3/4 x 2-1/4

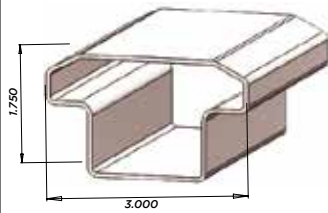


### 1-3/4" X 2-1/4" NEXUS®

**F3PB (0.065 wall)**  
**1-3/4" x 2-1/4" Nexus® Rail**

**Pcs/Pallet: 216**  
**TN - 71-3/8", 95-3/8", 119-3/8" (WHITE, TAN & ADOBE)**

F3PB - Adobe Is Available -  
 See Page 4

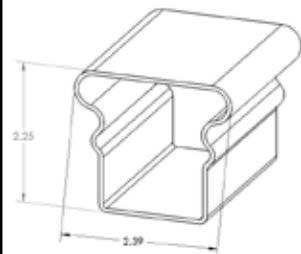


### 1-3/4" NEXUS® 1 T-RAIL

**F34C (0.065 wall)**  
**1-3/4" Nexus® 1 T-Rail**

**Pcs/Pallet: 216**  
**TN - 71-3/8", 95-3/8", 119-3/8" (WHITE, TAN & ADOBE)**

F34C - Adobe Is Available -  
 See Page 4



### 1-3/4" NEXUS® 2 T-RAIL

**F3N2 (0.065 wall)**  
**1-3/4" Nexus® 2 T-Rail**

**Pcs/Pallet: 216**  
**TN- 71-3/8", 95-3/8", 119-3/8" (WHITE, TAN & ADOBE)**

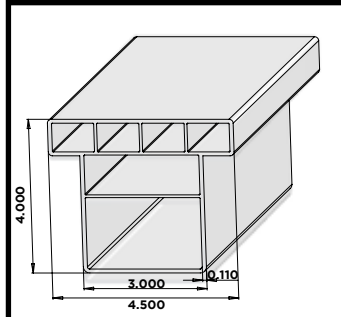
F3N2 - Adobe Is Available -  
 See Page 4

See ESR-1057 report for detailed applications. Check local building codes in your area.

**Availability and profile dimensions are subject to change without notice. Check with manufacturer before ordering.**  
 All dimensions are subject to manufacturer's tolerances. Gorilla™ is a trademark of Homeland Vinyl Products, Inc. Summit is a registered trademark of Waymark Products, LLC.

# SPECIALTY PRODUCTS

## 4-1/2 GORILLA® RAIL, PALISADE RAIL

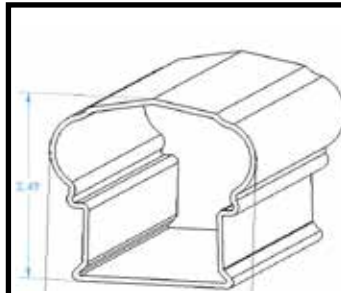


FTB - Adobe Is Available - See Page 4 & 5

### 4-1/2" GORILLA® RAIL

**FTB (0.110 wall)**  
**4-1/2" Gorilla® Rail**  
**Pcs/Pallet: 66**  
**AL - 24' (WHITE, TAN & ADOBE)**

FTB LIMITED AVAILABILITY.  
 RUN ONLY ONCE OR TWICE YEARLY.

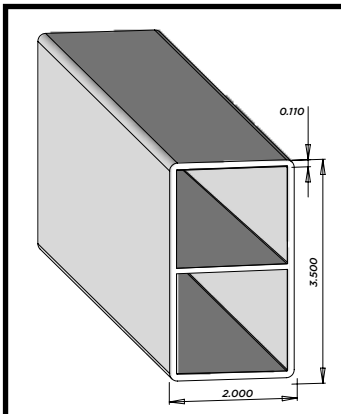


FHP1 - Adobe Is Available - See Page 4 & 5

### PALISADE RAIL

**FHP1 (0.070 wall)**  
**Palisade Rail**  
**Pcs/Pallet: 136**  
**AL - 6', 8', 10' MTO (WHITE, TAN & ADOBE)**

FHP1 LIMITED AVAILABILITY.  
 RUN ONLY ONCE OR TWICE YEARLY.

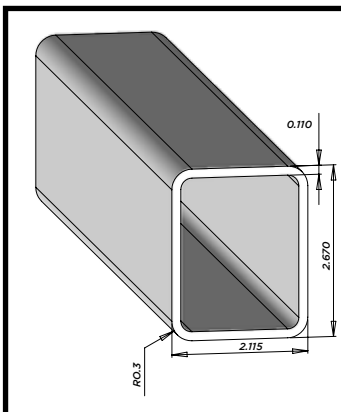


F24B - Adobe Is Available - See Page 4 & 5

### 2" X 3-1/2" RIBBED RAIL

**F24B (0.110 wall)**  
**2"x3-1/2" Ribbed Rail**  
**Pcs/Pallet: 143**  
**AL - 16', 24' (WHITE & TAN ONLY)**

F24B LIMITED AVAILABILITY.  
 RUN ONLY ONCE OR TWICE YEARLY.



F26S - Adobe Is Available - See Page 4 & 5

### 2-1/8" X 2-3/4" STANDARD RAIL

**F26S (0.110 wall)**  
**2-1/8" x 2-3/4" Standard Rail**  
**Pcs/Pallet: 170**  
**AL - 12', 16' (WHITE, TAN & ADOBE)**

F26S - Adobe Is Available - See Page 4 & 5

Availability and profile dimensions are subject to change without notice. Check with manufacturer before ordering.  
 All dimensions are subject to manufacturer's tolerances.  
 \*Limited availability, Check with customer service.  
 \*\*Only runs once or twice yearly.

IT & MATCH • PERFECT FIT & MATCH • PERFECT FIT & MATCH • PER  
PERFECT FIT & MATCH • PERFECT FIT & MATCH • PERFECT FIT & MAT  
RFECT FIT & MATCH • PERFECT FIT & MATCH • PERFECT FIT & MATCH  
& MATCH • PERFECT FIT & MATCH • PERFECT FIT & MATCH • PERFE  
IT & MATCH • PERFECT FIT & MATCH • PERFECT FIT & MATCH • PER  
PERFECT FIT & MATCH • PERFECT FIT & MATCH • PERFECT FIT & MAT

# PICKETS

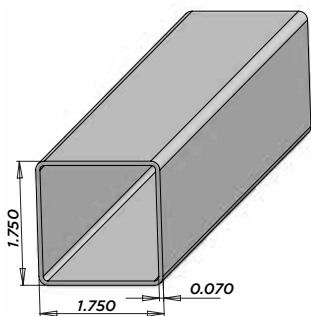
## PROFILES

IT & MATCH • PERFECT FIT & MATCH • PERFECT FIT & MATCH • PER  
PERFECT FIT & MATCH • PERFECT FIT & MATCH • PERFECT FIT & MAT  
RFECT FIT & MATCH • PERFECT FIT & MATCH • PERFECT FIT & MATCH  
& MATCH • PERFECT FIT & MATCH • PERFECT FIT & MATCH • PERFE  
IT & MATCH • PERFECT FIT & MATCH • PERFECT FIT & MATCH • PER  
PERFECT FIT & MATCH • PERFECT FIT & MATCH • PERFECT FIT & MAT  
IT & MATCH • PERFECT FIT & MATCH • PERFECT FIT & MATCH • PER  
PERFECT FIT & MATCH • PERFECT FIT & MATCH • PERFECT FIT & MA  
RFECT FIT & MATCH • PERFECT FIT & MATCH • PERFECT FIT & MATCH  
& MATCH • PERFECT FIT & MATCH • PERFECT FIT & MATCH • PERFE  
IT & MATCH • PERFECT FIT & MATCH • PERFECT FIT & MATCH • PER  
PERFECT FIT & MATCH • PERFECT FIT & MATCH • PERFECT FIT & MAT  
IT & MATCH • PERFECT FIT & MATCH • PERFECT FIT & MATCH • PER  
PERFECT FIT & MATCH • PERFECT FIT & MATCH • PERFECT FIT & MAT  
RFECT FIT & MATCH • PERFECT FIT & MATCH • PERFECT FIT & MATCH  
& MATCH • PERFECT FIT & MATCH • PERFECT FIT & MATCH • PERFE  
IT & MATCH • PERFECT FIT & MATCH • PERFECT FIT & MATCH • PER  
PERFECT FIT & MATCH • PERFECT FIT & MATCH • PERFECT FIT & MAT



# FENCE/GUARD RAIL SMALL PICKETS

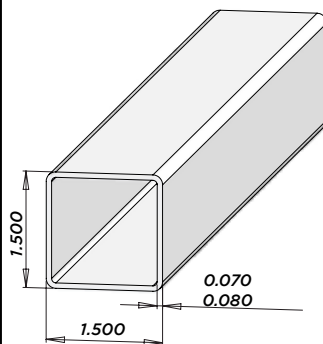
## 1-3/4" X 1-3/4" STANDARD PICKETS



**F41S (0.070 Wall)**  
**1-3/4" x 1-3/4" Standard Pickets**  
**Pcs/Pallet: 312**  
**AL - 16' (WHITE & TAN ONLY)**

W=White, T=Tan, D=Adobe

## 1-1/2" X 1-1/2" STANDARD PICKETS



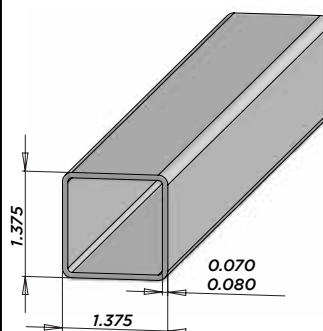
**F42S (0.070 Wall)**  
**1-1/2" x 1-1/2" Standard Pickets**  
**Pcs/Pallet: 450 pcs. (Other Sizes 900)**

**AL - 16' (Stocked in AL) (WHITE, TAN & ADOBE)**  
**TN - 30-1/2", 31", 32", 38", 43-1/8",**  
**10', 12', 16' (WHITE & TAN)**  
**TN - 16' (ADOBE)**  
**UT - 16' (Stocked In UT) (WHITE, TAN & ADOBE)**  
**FL - 16' (Stocked in FL) (WHITE & TAN ONLY)**

F42S - Adobe Is Available - See Page 4 & 5

**F42S HOMEWOOD OPTIONS NOT  
AVAILABLE IN 3rd QUARTER**

## 1-3/8" X 1-3/8" STANDARD PICKETS



**F43C (0.070 Wall)**  
**1-3/8" x 1-3/8" Standard Pickets**  
**Pcs/Pallet: 330 pcs. (Other Sizes 600)**

**AL - 16' (Stocked In AL) (WHITE, TAN & ADOBE)**  
**TN - 31-3/4", 32", 32-1/2", 38",**  
**38-1/2", 16' (WHITE, TAN & ADOBE)**  
**UT - 16' (Stocked In UT) (WHITE, TAN & ADOBE)**

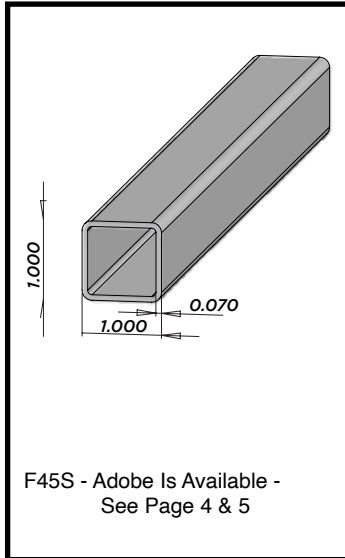
F43C - Adobe Is Available - See Page 4 & 5

**F43C HOMEWOOD OPTIONS NOT  
AVAILABLE IN 3rd QUARTER**

Availability and profile dimensions are subject to change without notice. Check with manufacturer before ordering.  
 All dimensions are subject to manufacturer's tolerances. Gorilla® is a registered trademark of Homeland Vinyl Products, Inc.  
 \*Limited availability, Check with customer service.  
 \*\*Only runs once or twice yearly.



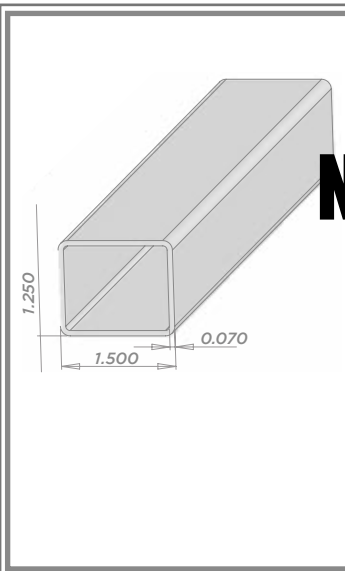
# FENCE/GUARD RAIL SMALL PICKETS



## 1" X 1" STANDARD PICKETS

**F45S (0.070 Wall)**  
**1" x 1" Standard Pickets**  
**Pcs/Pallet: 450**  
**AL - 16' (WHITE, TAN & ADOBE)**  
**UT - 16' (Stocked in UT, White and Tan) (WHITE & TAN ONLY)**

F45S - Adobe Is Available -  
See Page 4 & 5



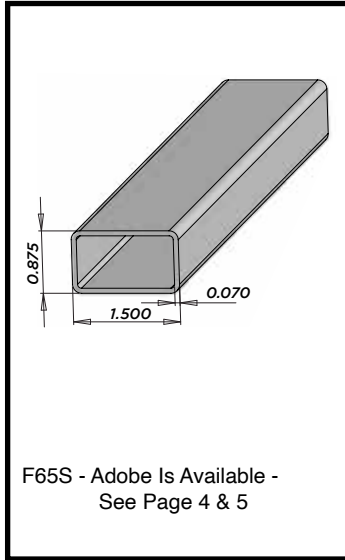
## 1-1/4" X 1-1/2" STANDARD PICKETS

**F47S (0.070 Wall)**  
**1-1/4" x 1-1/2" Standard Pickets**  
**Pcs/Pallet: 512**

**NOT AVAILABLE IN 3RD  
QUARTER OR UNTIL  
FURTHER NOTICE!**

**F47S LIMITED AVAILABILITY.  
RUN ONLY ONCE OR TWICE**

F65S - Adobe Is Available -  
See Page 4 & 5



## 7/8" X 1-1/2" STANDARD PICKETS

**F65S (0.070 Wall)**  
**7/8" x 1-1/2" Standard Pickets**  
**Pcs/Pallet: 942 (16', 402 pcs.)**

**AL - 32", 16' (WHITE & TAN ONLY)**  
**AL - 16' (ADOBE)**  
**NJ - 16' \* (WHITE & TAN ONLY)**  
**UT - 31-3/4", 33", 16' (Stocked in UT) (WHITE & TAN)**  
**UT - 16' (Stocked in UT) (ADOBE)**  
**FL - 16' Stocked in FL (WHITE & TAN ONLY)**  
**TN - 32", 16' (WHITE & TAN ONLY)**  
**TN - 16' (ADOBE)**

Availability and profile dimensions are subject to change without notice. Check with manufacturer before ordering.

All dimensions are subject to manufacturer's tolerances.

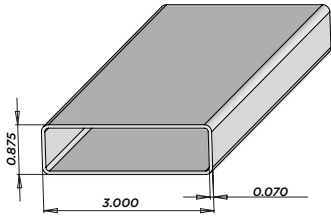
\*Limited availability, Check with customer service.

\*\*Only runs once or twice yearly.

# FENCE/GUARD RAIL

## SMALL PICKETS, RAILS

### 7/8" X 3" STANDARD PICKETS



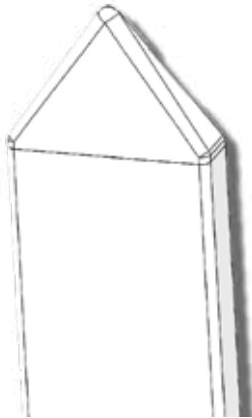
**F57C (0.070 Wall)**  
**7/8" X 3" Standard Pickets**  
**Pcs/Pallet: 355**

- AL - 16' (Stocked in AL) (WHITE, TAN & ADOBE)**
- UT - 16' (WHITE, TAN & ADOBE)**
- TN - 44", 45-7/8", 12', 16' (WHITE & TAN)**
- TN - 16' (ADOBE)**

**F57C HOMEWOOD OPTIONS NOT AVAILABLE IN 3rd QUARTER**

F57C - Adobe Is Available - See Page 4 & 5

### 7/8" X 3" SPADE PICKET

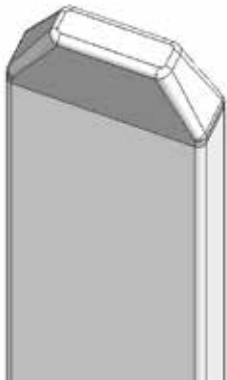


**F57C-SPC**  
**7/8" X 3" Standard Picket**  
**welded to spade cap**

- Pcs/Pallet: 355**
- TN - 44" (Extrusion) + Welded Spade Cap (WHITE & TAN)**
  - 45-7/8" (Extrusion) + Welded Spade Cap (WHITE, TAN & ADOBE)**
  - 56" (Extrusion) + Welded Spade Cap (WHITE & TAN)**
  - 68" (Extrusion) + Welded Spade Cap (WHITE & TAN)**

F57C - SPC - Adobe Is Available - See Page 4

### 7/8" X 3" DOG EAR PICKET



**F57C-DEC**  
**7/8" X 3" Standard Picket**  
**welded to dog ear Cap**

- Pcs/Pallet: 355**
- TN - 44" (Extrusion) + Welded Dog Ear Cap (WHITE & TAN)**
  - 45-7/8" (Extrusion) + Welded Dog Ear Cap (WHITE, TAN & ADOBE)**
  - 56" (Extrusion) + Welded Dog Ear Cap (WHITE & TAN)**
  - 68" (Extrusion) + Welded Dog Ear Cap (WHITE & TAN)**

F57C - DEC - Adobe Is Available - See Page 4

Availability and profile dimensions are subject to change without notice. Check with manufacturer before ordering.  
 All dimensions are subject to manufacturer's tolerances.  
 \*Limited availability, Check with customer service.  
 \*\*Only runs once or twice yearly.

**FENCE/GUARD RAIL  
SMALL PICKETS, RAILS**

**1-1/2" X 1-1/2" SHARP PICKET**



F42S - SPD - Adobe Is Available - See Page 4

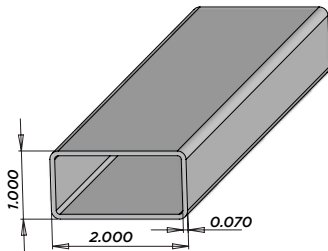
**F42S-SPD**

**1-1/2" X 1-1/2" Standard Picket  
welded to Sharp Cap**

**Pcs/Pallet: 900**

**TN - 44" (Extrusion) + Welded Sharp Cap (WHITE & TAN)  
45-7/8" (Extrusion) + Welded Sharp Cap (WHITE, TAN & ADOBE)  
56" (Extrusion) + Welded Sharp Cap (WHITE & TAN)  
68" (Extrusion) + Welded Sharp Cap (WHITE & TAN)**

**1" X 2" STANDARD PICKETS**



F48S - Adobe Is Available - See Page 4 & 5

**F48S (0.070 Wall)**

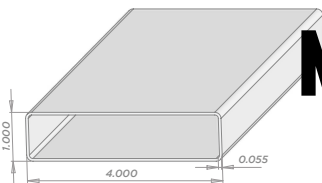
**1" x 2" Standard Pickets**

**Pcs/Pallet: 270**

**AL - 16' (WHITE, TAN & ADOBE)**

**F48S LIMITED AVAILABILITY.  
RUN ONLY ONCE OR TWICE  
YEARLY.**

**1" X 4" UTILITY PICKETS**



**NOT AVAILABLE IN 3RD  
QUARTER OR UNTIL  
FURTHER NOTICE!**

**F49U (0.055 Wall)**

**1" x 4" Utility Pickets**

**Pcs/Pallet: 253**

**F49U LIMITED AVAILABILITY.  
RUN ONLY ONCE OR TWICE  
YEARLY.**

Availability and profile dimensions are subject to change without notice. Check with manufacturer before ordering.

All dimensions are subject to manufacturer's tolerances.

\*Limited availability, Check with customer service.

\*\*Only runs once or twice yearly.

HOMELAND VINYL PRODUCTS, Inc.

Homeland Profiles: 800.999.6813 | www.Homelandvinyl.com

IT & MATCH • PERFECT FIT & MATCH • PERFECT FIT & MATCH • PER  
ERFECT FIT & MATCH • PERFECT FIT & MATCH • PERFECT FIT & MAT  
FECT FIT & MATCH • PERFECT FIT & MATCH • PERFECT FIT & MATCH  
MATCH • PERFECT FIT & MATCH • PERFECT FIT & MATCH • PERFEC  
IT & MATCH • PERFECT FIT & MATCH • PERFECT FIT & MATCH • PER  
ERFECT FIT & MATCH • PERFECT FIT & MATCH • PERFECT FIT & MAT

# GORILLA® WRAP

## PROFILES & ACCESSORIES



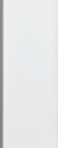



IT & MATCH • PERFECT FIT & MATCH • PERFECT FIT & MATCH • PER  
ERFECT FIT & MATCH • PERFECT FIT & MATCH • PERFECT FIT & MAT  
FECT FIT & MATCH • PERFECT FIT & MATCH • PERFECT FIT & MATCH  
MATCH • PERFECT FIT & MATCH • PERFECT FIT & MATCH • PERFEC  
IT & MATCH • PERFECT FIT & MATCH • PERFECT FIT & MATCH • PER  
ERFECT FIT & MATCH • PERFECT FIT & MATCH • PERFECT FIT & MAT  
IT & MATCH • PERFECT FIT & MATCH • PERFECT FIT & MATCH • PER  
ERFECT FIT & MATCH • PERFECT FIT & MATCH • PERFECT FIT & MAT  
FECT FIT & MATCH • PERFECT FIT & MATCH • PERFECT FIT & MATCH  
MATCH • PERFECT FIT & MATCH • PERFECT FIT & MATCH • PERFEC  
IT & MATCH • PERFECT FIT & MATCH • PERFECT FIT & MATCH • PER  
ERFECT FIT & MATCH • PERFECT FIT & MATCH • PERFECT FIT & MAT  
IT & MATCH • PERFECT FIT & MATCH • PERFECT FIT & MATCH • PER  
ERFECT FIT & MATCH • PERFECT FIT & MATCH • PERFECT FIT & MAT  
FECT FIT & MATCH • PERFECT FIT & MATCH • PERFECT FIT & MATCH  
MATCH • PERFECT FIT & MATCH • PERFECT FIT & MATCH • PERFEC  
IT & MATCH • PERFECT FIT & MATCH • PERFECT FIT & MATCH • PER  
ERFECT FIT & MATCH • PERFECT FIT & MATCH • PERFECT FIT & MAT

Gorilla® is a registered trademark of Homeland Vinyl Products, Inc.



# GORILLA® WRAP

## 8 Piece Gorilla Post Wraps

<b>1-3/4" x 10' GORILLA® POST WRAP CORNER TRIM</b> <span style="float: right;">P47</span>	
	<p><b>FMWC</b>  <b>Gorilla® Wrap Corner</b></p> <p>AL - 10'</p> <p style="text-align: right;">STOCK COLORS: WHITE, TAN, ADOBE</p>
<b>4" x 10' GORILLA® POST WRAP COVERAGE SLAT</b> <span style="float: right;">P47</span>	
	<p><b>FMW4</b>  <b>4" Gorilla® Wrap Insert</b>  <b>Covers sides of 3 1/4" to 4 1/4"</b></p> <p>AL - 10'</p> <p style="text-align: right;">STOCK COLORS: WHITE, TAN, ADOBE</p>
<b>6" x 10' GORILLA® POST WRAP COVERAGE SLAT</b> <span style="float: right;">P47</span>	
	<p><b>FMW6</b>  <b>6" Gorilla® Wrap Insert</b>  <b>Covers sides of 5 1/4" to 6 1/4"</b></p> <p>AL - 10'</p> <p style="text-align: right;">STOCK COLORS: WHITE, TAN, ADOBE</p>
<b>8" x 10' GORILLA® POST WRAP COVERAGE SLAT</b> <span style="float: right;">P47</span>	
	<p><b>FMW8</b>  <b>8" Gorilla® Wrap Insert</b>  <b>Covers sides of 7 1/4" to 8 1/4"</b></p> <p>AL - 10'</p> <p style="text-align: right;">STOCK COLORS: WHITE, TAN, ADOBE</p>
<b>10" x 10' GORILLA® POST WRAP COVERAGE SLAT</b> <span style="float: right;">P47</span>	
	<p><b>FMW0</b>  <b>10" Gorilla® Wrap Insert</b>  <b>Covers sides of 9 1/4" to 10 1/4"</b></p> <p>AL - 10'</p> <p style="text-align: right;">STOCK COLORS: WHITE, TAN, ADOBE</p>
<b>12" x 10' GORILLA® POST WRAP COVERAGE SLAT</b> <span style="float: right;">P47</span>	
	<p><b>FMW2</b>  <b>12" Gorilla® Wrap Insert</b>  <b>Covers sides of 11 1/4" to 12 1/4"</b></p> <p>AL - 10'</p> <p style="text-align: right;">STOCK COLORS: WHITE, TAN, ADOBE</p>

Gorilla® is a registered trademark of Homeland Vinyl Products, Inc.

# GORILLA® WRAP

## 4 Piece Gorilla Post Wrap

### 4 PIECE - 4" x 4" X 10' GORILLA® POST WRAP



**FPW4**  
**4"x4" Gorilla® Wrap**  
**Pcs/Box: 5 posts per box**  
**Bulk: 92 posts per bundle**  
**Length - 10'**

STOCK COLORS: WHITE, TAN, ADOBE

- 4 PIECES TO MAKE 1 POST,
- FULL BOX WILL COVER A TOTAL OF (5) POSTS
- COVERS POSTS BETWEEN 3-7/16"- 4-3/8"
- ANY TWIST OR OUT OF SQUARE WILL REDUCE COVERAGE SIZE

### 4 PIECE - 6" x 6" X 10' GORILLA® POST WRAP



**FPW6**  
**6"x6" Gorilla® Wrap**  
**Pcs/Box: 4 posts per box**  
**Bulk: 74 posts per bundle**  
**Length - 10'**

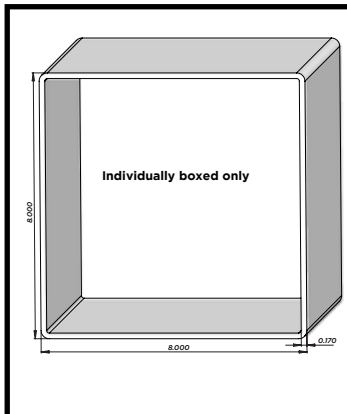
STOCK COLORS: WHITE, TAN, ADOBE

- 4 PIECES TO MAKE 1 POST,
- FULL BOX WILL COVER A TOTAL OF (4) POSTS
- COVERS POSTS BETWEEN 5-1/8"- 6"
- ANY TWIST OR OUT OF SQUARE WILL REDUCE COVERAGE SIZE



# GORILLA® POSTS

## POSTS



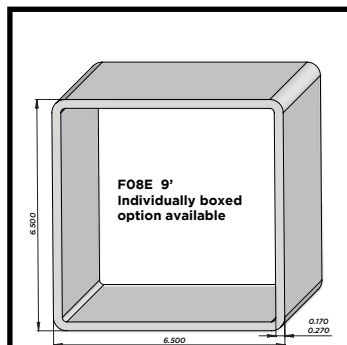
### 8" X 8" STANDARD POST

**F06C (0.170 wall)**  
**8" x 8" Standard Post**  
**Pcs/Box: 1**  
**Boxes/Skids: 10**  
**Refer to Commodity Sheet for Box Costs.**  
**SOLD IN SKID BOX QUANTITIES ONLY**

**AL - 9' (WHITE)**  
**AL - 9' (TAN & ADOBE - LIMITED RUN)**

**F06C LIMITED AVAILABILITY.**  
**RUN ONLY ONCE OR TWICE**  
**YEARLY.**

F06C - Adobe Is Available -  
 See Page 4 & 5



### 6-1/2" X 6-1/2" POST (& GORILLA® POST)

**F08S (0.270 wall) 6-1/2" x 6-1/2"**  
**Gorilla® Post**  
**Pcs/Pallet: 21**

**AL - 9', 16' (WHITE)**  
**AL - 9', 16' (TAN & ADOBE - LIMITED RUN)**

**F08S LIMITED AVAILABILITY.**  
**RUN ONLY ONCE OR TWICE**  
**YEARLY.**

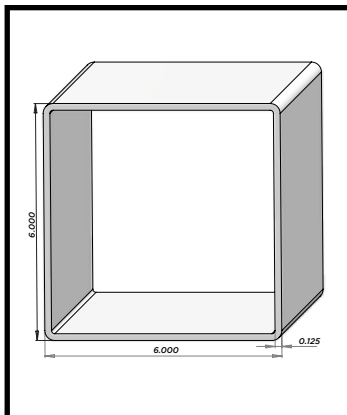
F08S - Adobe Is Available -  
 See Page 4 & 5  
 F08E - Adobe Is Available -  
 See Page 4 & 5

**F08E (0.170 wall) 6-1/2" x 6-1/2" Post**  
**Pcs/Pallet: 49**  
**(24', 21 pcs.)**

**AL - 9', 10', 12' (WHITE)**  
**AL - 9', 10', 12' (TAN & ADOBE - LIMITED RUN)**

**F08E LIMITED AVAILABILITY.**  
**RUN ONLY ONCE OR TWICE**  
**YEARLY.**

**Boxed Option for F08E:**  
**Pcs/Box: 1 Boxes/Skids: 20**  
**Refer to Commodity Sheet for**  
**Box Costs.**  
**SOLD IN SKID QUANTITIES ONLY**



### 6" X 6" STANDARD POST

**F09C (0.125 wall)**  
**6" x 6" Standard Post**  
**Pcs/Pallet: 32**

**AL - 9', 10', 12', 16' (WHITE)**  
**AL - 9', 16' (TAN & ADOBE - LIMITED RUN)**

F09C - Adobe Is Available -  
 See Page 4 & 5

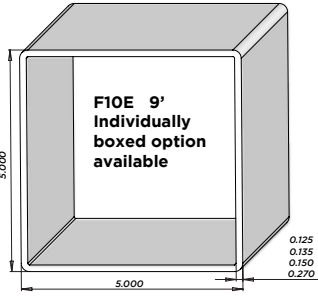
**Bagging options available at extra**  
**cost for F09C - 6" x 6" standard**  
**post for truckload quantities from**  
**Alabama Location only.**

**Bagging options available for 6"x6", 5"x5", and 4"x4" in truck load quantities. See Made To Order Guidelines.**  
**Availability and profile dimensions are subject to change without notice. Check with manufacturer before ordering.**  
**All dimensions are subject to manufacturer's tolerances. Gorilla® is a registered trademark of Homeland Vinyl Products, Inc.**  
**\*\*Only runs once or twice yearly.**



**GORILLA® POSTS**  
**POSTS**

**5" X 5" (GORILLA®, STANDARD, UTILITY, RANCH) POST**



**F10K (0.270 wall)**  
**5" x 5" Gorilla® Post**  
**Pcs/Pallet: 36 (16' & Over - 36 pcs)**  
**AL - 9', 16', 24' (WHITE & TAN ONLY)**  
**NJ - 9' (Stocked In NJ - WHITE)**

**F10C (0.150 wall)**  
**5" x 5" Standard Post**  
**Pcs/Pallet: 81 (16' & Over - 36 pcs)**

**AL - 9', 16', 24' (WHITE ONLY)**  
**AL - 9', 16' (TAN ONLY)**

**NJ - 9' (WHITE ONLY)**

**UT - 8', 16' (WHITE ONLY)**  
**UT - 16' (TAN ONLY)**

**FL - 8', 9' (WHITE ONLY)**

**TX - 6'6", 7', 8', 9', 16' (WHITE ONLY)**

**F10M**  
**5" x 5" Economy Post**  
**(Color Inside)**  
**Pcs/Pallet: 81**  
**FL - 8'6", 9' (Blanks Only)**  
**(WHITE & TAN ONLY)**

**F10E (0.135 wall)**  
**5" x 5" Utility Post**  
**Pcs/Pallet: 81 (16' & Over - 36 pcs)**

**AL - 7', 8', 8'6", 9', 12',**  
**16', 24' (WHITE & TAN)**  
**AL - 9', 16' (ADOBE & GRAY)**

**NJ - 7', 8', 9', 16', 24' (WHITE & TAN ONLY)**

**UT - 6', 6'6", 7'6", 8', 9', 16' (WHITE & TAN)**  
**UT - 8', 16' (ADOBE & SAND)**

**FL - 8', 8'6", 9', 12' (WHITE & TAN ONLY)**

**TX - 6'6", 7', 8', 9' (WHITE ONLY)**

**Boxed Option for F10E:**  
**Pcs/Box: 1 Boxes/Skids: 20**  
**Refer to Commodity Sheet for**  
**Box Costs.**  
**SOLD IN SKID QUANTITIES ONLY**

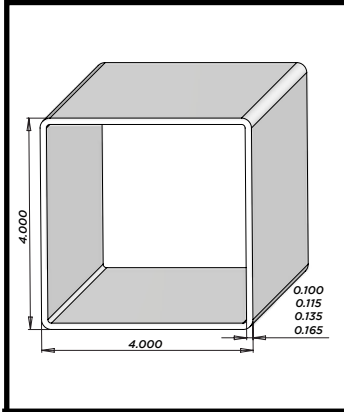
**F10J (0.125 wall)**  
**5" x 5" Utility Ranch Post**  
**(Color Inside)**  
**Pcs/Pallet: 81**  
**AL - 5', 6'6", 7' (WHITE & TAN ONLY)**  
**UT - 5', 6'6", 7' (WHITE & TAN ONLY)**  
**TX - 5', 6'6", 7' (WHITE ONLY)**

F10 - Adobe, Gray, Ash Gray & Sand Is Available -  
 See Page 4 & 5

**F10C HOMEWOOD OPTIONS NOT  
 AVAILABLE IN 3rd QUARTER**

Bagging options available for 6"x6", 5"x5", and 4"x4" in truck load quantities. See Made To Order Guidelines.  
 Availability and profile dimensions are subject to change without notice. Check with manufacturer before ordering.  
 All dimensions are subject to manufacturer's tolerances. Gorilla® is a registered trademark of Homeland Vinyl Products, Inc.  
 \*Limited availability, Check with customer service.

# GORILLA® POSTS POSTS



## 4" X 4" (GORILLA®, STANDARD, UTILITY, VALUE) POST

**F12C (0.165 wall)**  
4" x 4" Gorilla® Post  
Pcs/Pallet: 121 (16' & Over - 55 pcs.)

AL - 9', 16', 24' (WHITE & TAN)  
AL - 16' (ADOBE)

UT - 39", 45", 16' (WHITE & TAN)  
UT - 16' (ADOBE)

TN - 9', 16', 24' (WHITE & TAN)  
TN - 16' (ADOBE)

**F12V (0.100 wall)**  
4" x 4" Value Post  
(Color Inside)  
Pcs/Pallet: 121

AL - 39", 48", 8' (WHITE & TAN)  
AL - 8' (ADOBE)

TN - 39", 48", 8' (WHITE & TAN)  
TN - 8' (ADOBE)

**F12N (0.135 wall)**  
4" x 4" Standard Post  
Pcs/Pallet: 121 (16' & Over - 55 pcs.)

AL - 6', 7', 9', 16', 24' (WHITE & TAN)  
AL - 16' (ADOBE)

UT - 6', 16' (WHITE & TAN)  
UT - 16' (ADOBE)

TN - 6', 7', 9', 16', 24' (WHITE & TAN)  
TN - 16' (ADOBE)

**F12E (0.115 wall)**  
4" x 4" Utility Post  
Pcs/Pallet: 121 (16' & Over - 55 pcs.)

AL - 39", 48", 6', 7', 8', 98", 9', 10',  
16', 24' (WHITE & TAN)  
AL - 9', 16' (ADOBE)

TN - 39", 48", 6', 7', 8', 98", 9',  
16', 24' (WHITE & TAN)  
TN - 9', 16' (ADOBE)

UT - 16' (WHITE & TAN)

FL - 6', 7' (Stocked in FL)  
(WHITE & TAN ONLY)

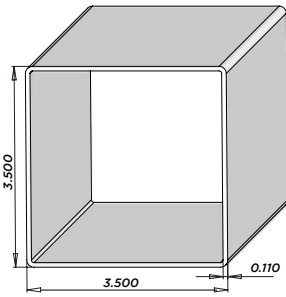
Bagging options available at extra cost for F12E - 4" x 4" utility post for truckload quantities.

F12 - Adobe Is Available -  
See Page 4 & 5

**F12N HOMEWOOD OPTIONS NOT  
AVAILABLE IN 3rd QUARTER**

# GORILLA® POSTS

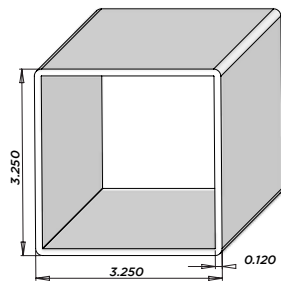
## POSTS



### 3-1/2" X 3-1/2" UTILITY POST

**F13E (0.110 wall)**  
**3-1/2" x 3-1/2" Utility Post**  
**Pcs/Pallet: 156 (16' & Over - 78 pcs.)**  
**AL - 16' (WHITE & TAN ONLY)**

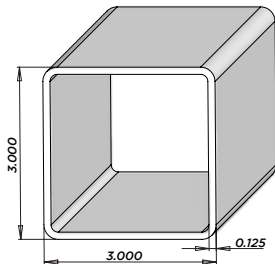
**F13E LIMITED AVAILABILITY.**  
**RUN ONLY ONCE OR TWICE**  
**YEARLY.**



### 3-1/4" X 3-1/4" STANDARD POST

**F15S (0.120 wall)**  
**3-1/4" x 3-1/4" Standard Post**  
**Pcs/Pallet: 98**  
**AL - 16' (WHITE & TAN ONLY)**

**F15S LIMITED AVAILABILITY.**  
**RUN ONLY ONCE OR TWICE**  
**YEARLY.**



### 3" X 3" CO-EX STANDARD POST

**F14C (0.125 wall)**  
**3" x 3" Co-Ex Standard Post**  
**Pcs/Pallet: 120**  
**AL - 16', 24' (WHITE & TAN ONLY)**

**F14C LIMITED AVAILABILITY.**  
**RUN ONLY ONCE OR TWICE**  
**YEARLY.**

Bagging options available for 6"x6", 5"x5", and 4"x4" in truck load quantities. See Made To Order Guidelines.  
 Availability and profile dimensions are subject to change without notice. Check with manufacturer before ordering.  
 All dimensions are subject to manufacturer's tolerances. Gorilla® is a registered trademark of Homeland Vinyl Products, Inc.  
 \*\*Only runs once or twice yearly.

PERFECT FIT & MATCH • PERFECT FIT & MATCH • PERFECT FIT & MATCH • PEI  
PERFECT FIT & MATCH • PERFECT FIT & MATCH • PERFECT FIT & MA  
PERFECT FIT & MATCH • PERFECT FIT & MATCH • PERFECT FIT & MATCH  
& MATCH • PERFECT FIT & MATCH • PERFECT FIT & MATCH • PERFE  
FIT & MATCH • PERFECT FIT & MATCH • PERFECT FIT & MATCH • PEI  
PERFECT FIT & MATCH • PERFECT FIT & MATCH • PERFECT FIT & MA

# GORILLA® COLUMN PROFILES

FIT & MATCH • PERFECT FIT & MATCH • PERFECT FIT & MATCH • PEI  
PERFECT FIT & MATCH • PERFECT FIT & MATCH • PERFECT FIT & MA  
PERFECT FIT & MATCH • PERFECT FIT & MATCH • PERFECT FIT & MATCH  
& MATCH • PERFECT FIT & MATCH • PERFECT FIT & MATCH • PERFE  
FIT & MATCH • PERFECT FIT & MATCH • PERFECT FIT & MATCH • PEI  
PERFECT FIT & MATCH • PERFECT FIT & MATCH • PERFECT FIT & MA  
FIT & MATCH • PERFECT FIT & MATCH • PERFECT FIT & MATCH • PEI  
PERFECT FIT & MATCH • PERFECT FIT & MATCH • PERFECT FIT & MA  
PERFECT FIT & MATCH • PERFECT FIT & MATCH • PERFECT FIT & MA  
PERFECT FIT & MATCH • PERFECT FIT & MATCH • PERFECT FIT & MATCH  
& MATCH • PERFECT FIT & MATCH • PERFECT FIT & MATCH • PERFE  
FIT & MATCH • PERFECT FIT & MATCH • PERFECT FIT & MATCH • PEI  
PERFECT FIT & MATCH • PERFECT FIT & MATCH • PERFECT FIT & MA  
PERFECT FIT & MATCH • PERFECT FIT & MATCH • PERFECT FIT & MATCH  
& MATCH • PERFECT FIT & MATCH • PERFECT FIT & MATCH • PERFE  
FIT & MATCH • PERFECT FIT & MATCH • PERFECT FIT & MATCH • PEI  
PERFECT FIT & MATCH • PERFECT FIT & MATCH • PERFECT FIT & MA

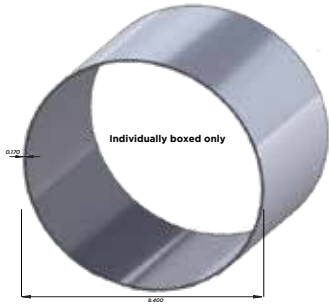
Gorilla® is a registered trademark of Homeland Vinyl Products, Inc.



# GORILLA® COLUMNS

## COLUMNS

### 8.40" ROUND COLUMN

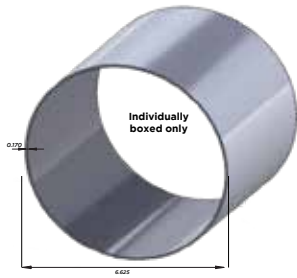


**TD84 (0.170 wall)**  
**8.40" Round Column**  
**Pcs/Box: 1**  
**Boxes/Skid: 10**

**Refer to Commodity Sheet for box costs.**  
**SOLD IN SKID QUANTITIES ONLY**  
**AL - 9' (WHITE ONLY)**

**LIMITED AVAILABILITY.**  
**RUN ONLY ONCE OR TWICE**  
**YEARLY.**

### 6.625" ROUND COLUMN



**TD64 (0.170 wall)**  
**6.625" Round Column**  
**Pcs/Box: 1**  
**Boxes/Skid: 20**

**Refer to Commodity Sheet for box costs.**  
**SOLD IN SKID QUANTITIES ONLY**  
**AL - 9' (WHITE ONLY)**

**LIMITED AVAILABILITY.**  
**RUN ONLY ONCE OR TWICE**  
**YEARLY.**

Bagging options available for 6"x6", 5"x5", and 4"x4" in truck load quantities. See Made To Order Guidelines.  
 Availability and profile dimensions are subject to change without notice. Check with manufacturer before ordering.  
 All dimensions are subject to manufacturer's tolerances. Gorilla® is a registered trademark of Homeland Vinyl Products, Inc.

PERFECT FIT & MATCH • PERFECT FIT & MATCH • PERFECT FIT & MATCH • PE  
PERFECT FIT & MATCH • PERFECT FIT & MATCH • PERFECT FIT & MA  
PERFECT FIT & MATCH • PERFECT FIT & MATCH • PERFECT FIT & MATCH  
& MATCH • PERFECT FIT & MATCH • PERFECT FIT & MATCH • PERFE  
FIT & MATCH • PERFECT FIT & MATCH • PERFECT FIT & MATCH • PE  
PERFECT FIT & MATCH • PERFECT FIT & MATCH • PERFECT FIT & MA

# GORILLA DECK®

## PROFILES & ACCESSORIES

FIT & MATCH • PERFECT FIT & MATCH • PERFECT FIT & MATCH • PE  
PERFECT FIT & MATCH • PERFECT FIT & MATCH • PERFECT FIT & MA  
PERFECT FIT & MATCH • PERFECT FIT & MATCH • PERFECT FIT & MATCH  
& MATCH • PERFECT FIT & MATCH • PERFECT FIT & MATCH • PERFE  
FIT & MATCH • PERFECT FIT & MATCH • PERFECT FIT & MATCH • PE  
PERFECT FIT & MATCH • PERFECT FIT & MATCH • PERFECT FIT & MA  
FIT & MATCH • PERFECT FIT & MATCH • PERFECT FIT & MATCH • PE  
PERFECT FIT & MATCH • PERFECT FIT & MATCH • PERFECT FIT & MA  
PERFECT FIT & MATCH • PERFECT FIT & MATCH • PERFECT FIT & MA  
PERFECT FIT & MATCH • PERFECT FIT & MATCH • PERFECT FIT & MATCH  
& MATCH • PERFECT FIT & MATCH • PERFECT FIT & MATCH • PERFE  
FIT & MATCH • PERFECT FIT & MATCH • PERFECT FIT & MATCH • PE  
PERFECT FIT & MATCH • PERFECT FIT & MATCH • PERFECT FIT & MA  
PERFECT FIT & MATCH • PERFECT FIT & MATCH • PERFECT FIT & MA  
& MATCH • PERFECT FIT & MATCH • PERFECT FIT & MATCH • PERFE  
FIT & MATCH • PERFECT FIT & MATCH • PERFECT FIT & MATCH • PE  
PERFECT FIT & MATCH • PERFECT FIT & MATCH • PERFECT FIT & MA

Gorilla® is a registered trademark of Homeland Vinyl Products, Inc.



DECK  
GORILLA DECK®, STARTER, SPLICE TRIM, FINISH TRIM



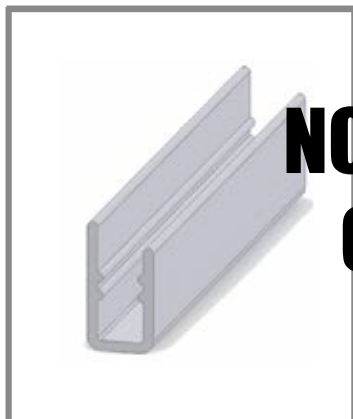
GORILLA DECK® G3

Patent #6,324,796

F70F  
Gorilla Deck®  
Finish Trim  
Pcs/Pallet: 49  
AL - 16', 20', 24'

**NOT AVAILABLE IN 3RD  
QUARTER OR UNTIL  
FURTHER NOTICE!**

W=White, D=Adobe, O=Mocha Walnut,  
Y=Honey Maple, I=Chai Gray,  
U=Green Teak

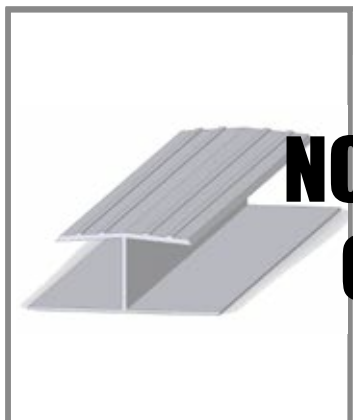


GORILLA DECK® STARTER STRIP

F73G  
Gorilla Deck®  
Starter Strip  
Pcs/Box: 24  
AL - 12'6"

**NOT AVAILABLE IN 3RD  
QUARTER OR UNTIL  
FURTHER NOTICE!**

W=White, D=Adobe, O=Mocha Walnut,  
Y=Honey Maple, I=Chai Gray,  
U=Green Teak



GORILLA DECK® SPLICE TRIM

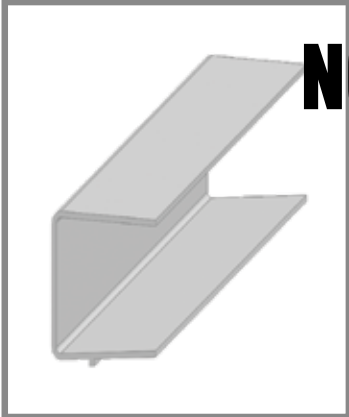
F74G  
Gorilla Deck®  
Splice Trim  
Pcs/Box: 24  
AL - 12'6"

**NOT AVAILABLE IN 3RD  
QUARTER OR UNTIL  
FURTHER NOTICE!**

W=White, D=Adobe, O=Mocha Walnut,  
Y=Honey Maple, I=Chai Gray,  
U=Green Teak

Availability and profile dimensions are subject to change without notice. Check with manufacturer before ordering.  
All dimensions are subject to manufacturer's tolerances. Gorilla® is a registered trademark of Homeland Vinyl Products, Inc.

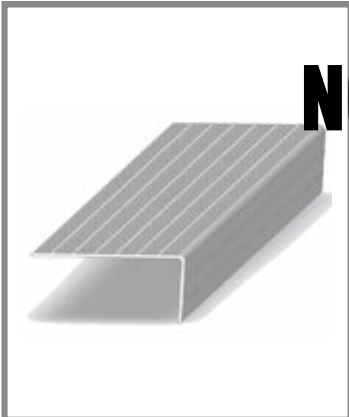
DECK  
GORILLA DECK®, STARTER, SPLICE TRIM, FINISH TRIM



GORILLA DECK® FINISH TRIM

**NOT AVAILABLE IN 3RD  
QUARTER OR UNTIL  
FURTHER NOTICE!**

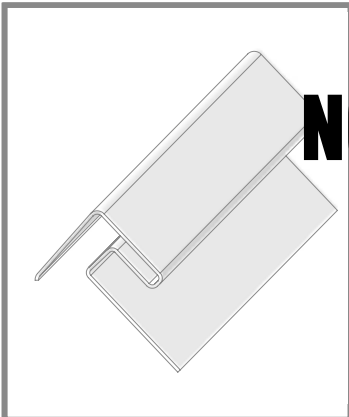
W=White, D=Adobe, O=Mocha Walnut,  
Y=Honey Maple, I=Chai Gray,  
U=Green Teak



GORILLA DECK® FASCIA TRIM

**NOT AVAILABLE IN 3RD  
QUARTER OR UNTIL  
FURTHER NOTICE!**

W=White, D=Adobe, O=Mocha Walnut,  
Y=Honey Maple, I=Chai Gray,  
U=Green Teak



GORILLA DECK® FASCIA CORNER

Used with Gorilla® Wrap Inserts

(White, Tan & Adobe Only)  
Fascia Width: 5 or 48

**NOT AVAILABLE IN 3RD  
QUARTER OR UNTIL  
FURTHER NOTICE!**

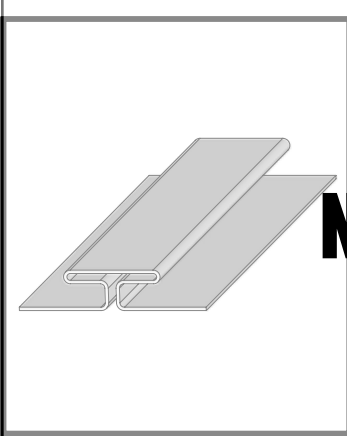
W=White, D=Adobe, O=Mocha Walnut,  
Y=Honey Maple, I=Chai Gray,  
U=Green Teak

Availability and profile dimensions are subject to change without notice. Check with manufacturer before ordering.  
All dimensions are subject to manufacturer's tolerances. Gorilla® is a registered trademark of Homeland Vinyl Products, Inc.



# DECK

## FASCIA SYSTEM, GORILLA WOOD DECK BOARD & FASCIA



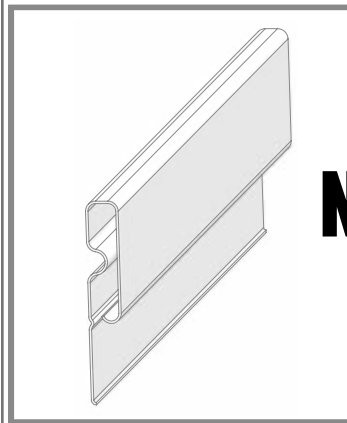
### GORILLA DECK® FASCIA SPLICE

Used with Gorilla® Wrap Inserts  
(White Tan & Adobe Only)  
See Page 35 or 48

F78G  
Gorilla Deck®  
Fascia Splice

**NOT AVAILABLE IN 3RD  
QUARTER OR UNTIL  
FURTHER NOTICE!**

W=White, D=Adobe, O=Mocha Walnut,  
Y=Honey Maple, I=Chai Gray,  
U=Green Teak



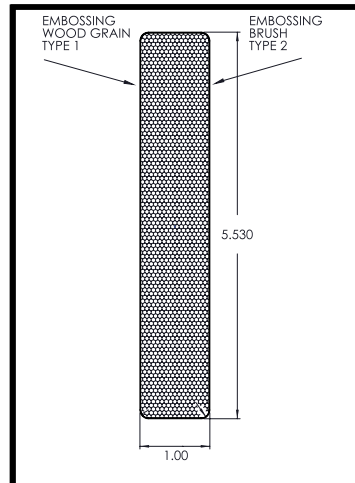
### GORILLA DECK® FASCIA ADAPTER

Used with Gorilla® Wrap Inserts  
(White Tan & Adobe Only)  
See Page 35 or 48

F77G  
Gorilla Deck®  
Fascia Adapter

**NOT AVAILABLE IN 3RD  
QUARTER OR UNTIL  
FURTHER NOTICE!**

W=White, D=Adobe, O=Mocha Walnut,  
Y=Honey Maple, I=Chai Gray,  
U=Green Teak

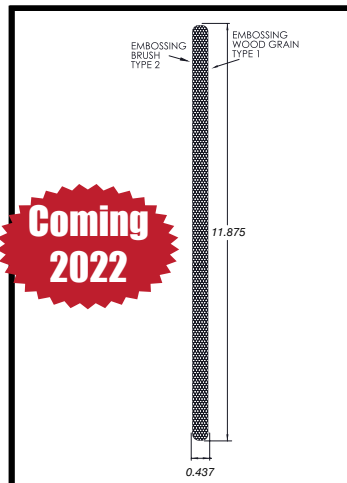


### GORILLA® WOOD DECK BOARD

F7A1  
Gorilla Wood  
1" x 5.5" Deck Board

Pcs/Pallet: 60  
TN - 16', 20', 24'

D=Adobe, L=Light Gray,  
F=Dark Gray, C=Chestnut



### GORILLA® WOOD FASCIA BOARD

F7A2  
Gorilla Wood  
Fascia Board

Pcs/Pallet: TBD  
TN - 12'





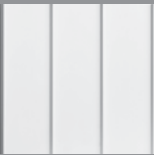

D=Adobe, L=Light Gray,  
F=Dark Gray, C=Chestnut

**Coming  
2022**

Availability and profile dimensions are subject to change without notice. Check with manufacturer before ordering.  
All dimensions are subject to manufacturer's tolerances. Gorilla® is a registered trademark of Homeland Vinyl Products, Inc.

# GORILLA® WRAP

## 8 Piece Gorilla Post Wraps for Decking Fascia

	<b>1-3/4" x 10' GORILLA® POST WRAP CORNER TRIM</b> P34 <b>FMWC</b> <b>Gorilla® Wrap Corner</b> <b>AL - 10'</b>  STOCK COLORS: WHITE, TAN, ADOBE
	<b>4" x 10' GORILLA® POST WRAP COVERAGE SLAT</b> P34 <b>FMW4</b> <b>4" Gorilla® Wrap Insert</b> <b>Covers sides of 3 1/4" to 4 1/4"</b> <b>AL - 10'</b>  STOCK COLORS: WHITE, TAN, ADOBE
	<b>6" x 10' GORILLA® POST WRAP COVERAGE SLAT</b> P34 <b>FMW6</b> <b>6" Gorilla® Wrap Insert</b> <b>Covers sides of 5 1/4" to 6 1/4"</b> <b>AL - 10'</b>  STOCK COLORS: WHITE, TAN, ADOBE
	<b>8" x 10' GORILLA® POST WRAP COVERAGE SLAT</b> P34 <b>FMW8</b> <b>8" Gorilla® Wrap Insert</b> <b>Covers sides of 7 1/4" to 8 1/4"</b> <b>AL - 10'</b>  STOCK COLORS: WHITE, TAN, ADOBE
	<b>10" x 10' GORILLA® POST WRAP COVERAGE SLAT</b> P34 <b>FMW0</b> <b>10" Gorilla® Wrap Insert</b> <b>Covers sides of 9 1/4" to 10 1/4"</b> <b>AL - 10'</b>  STOCK COLORS: WHITE, TAN, ADOBE
	<b>12" x 10' GORILLA® POST WRAP COVERAGE SLAT</b> P34 <b>FMW2</b> <b>12" Gorilla® Wrap Insert</b> <b>Covers sides of 11 1/4" to 12 1/4"</b> <b>AL - 10'</b>  STOCK COLORS: WHITE, TAN, ADOBE

Availability and profile dimensions are subject to change without notice. Check with manufacturer before ordering.  
All dimensions are subject to manufacturer's tolerances. Gorilla® is a registered trademark of Homeland Vinyl Products, Inc.

# INSERTS

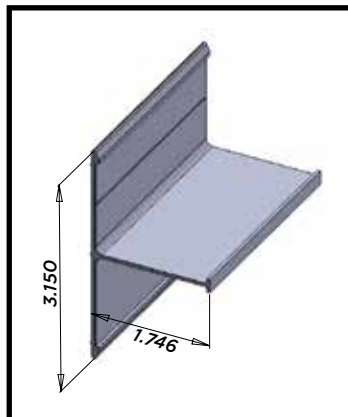


# INSERT STIFFENER ALUMINUM INSERT

	<p><b>5" X 5" ALUMINUM INSERT</b></p> <p><b>G10HA288-69243</b> 5" x 5"</p> <p><b>24' Lengths Per Piece</b></p> <p style="text-align: right;"><b>Used with:</b> 5" x 5" post (Not Gorilla wall post)</p>
	<p><b>4" X 4" ALUMINUM INSERT</b></p> <p><b>G12HA288-69312</b> 4" x 4"</p> <p><b>24' Lengths Per Piece</b></p> <p style="text-align: right;"><b>Used with:</b> 4" x 4" post (Not Gorilla wall post)</p>
	<p><b>2-1/8" X 2-3/4" DOWN - ALUMINUM INSERT</b></p> <p><b>G26CH288-69228</b> 2-1/8" x 2-3/4" Down</p> <p><b>24' Lengths Per Piece</b></p>
	<p><b>2" X 3-1/2" &amp; T-RAIL</b></p> <p><b>G24PA288-69227</b> 2" x 3-1/2" &amp; T-Rail</p> <p><b>24' Lengths 120 Pieces per Bundle</b></p> <p style="text-align: right;"><b>Used with:</b> Rectangular Guard Rail T-Rail, Contour and Deck-over Guard Rail</p>

Availability and profile dimensions are subject to change without notice. Check with manufacturer before ordering.  
All dimensions are subject to manufacturer's tolerances.

# INSERT STIFFENER ALUMINUM INSERT

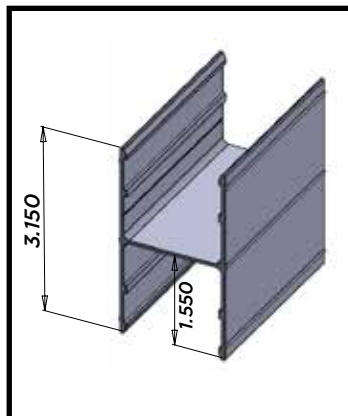


## T-BOTTOM RAIL

**G24TA096-55028**  
T-Bottom Rail

**72", 96" Lengths**  
For bottom rail only  
120 Pieces per Bundle

Used with:  
Residential Guard Rail Systems  
Bottom Rail Only

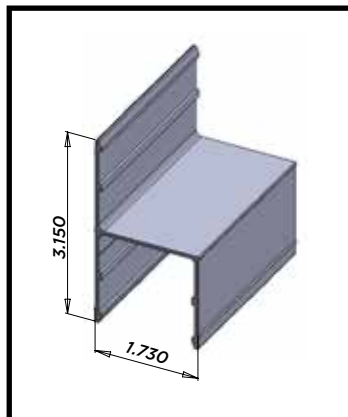


## H-RAIL - ALUMINUM INSERT

**G24HA096-55026**  
H-Rail

**96" Lengths**  
For top rail only  
120 Pieces per Bundle

Used with:  
Residential Guard Rail  
T-Rail Only (8' Spans)



## SMALL H - ALUMINUM INSERT

**G24hA072-55027**  
Small h

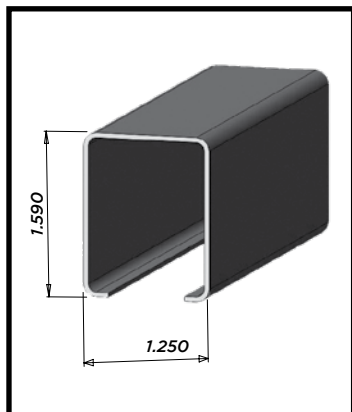
**72" Lengths**  
For top rail only  
120 Pieces per Bundle

Used with:  
Most Residential Guard Rail  
(6' Spans)  
Not Deck-over Guard Rail

Availability and profile dimensions are subject to change without notice. Check with manufacturer before ordering.  
All dimensions are subject to manufacturer's tolerances.

# INSERT STIFFENER

## ALUMINUM INSERTS, STEEL INSERTS

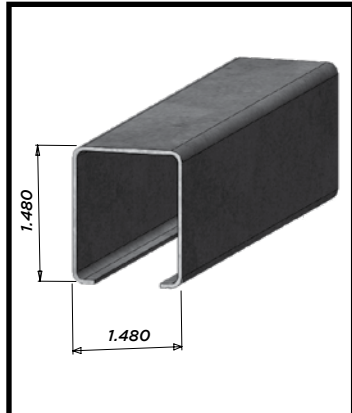


**1-1/2" STEEL INSERT - POCKET RAIL**

**G3RFH121-18**  
**1-1/2" Steel Insert - Pocket Rail**  
**18 Gage**  
**400 Pieces Per Bundle**

**AL- 93" (G3RFH121-18-93)**  
**NJ- 93" (G3RFH121-18-93)**  
**UT- 71" (G3RFH121-18-71)**

**Used with:**  
**1-1/2" x 5-1/2" Pocket Rail**

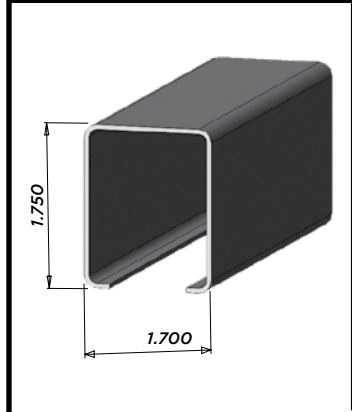


**1-3/4" STEEL INSERT**

**G3RFM147-18**  
**1-3/4" Steel Insert**  
**18 Gage**  
**400 Pieces Per Bundle**

**AL- 93" (G3RFM147-18-93)**  
**NJ- 93" (G3RFM147-18-93)**  
**UT- 71" (G3RFM147-18-71)**

**Used with:**  
**1-3/4" x 5-1/2" Pocket Rail**

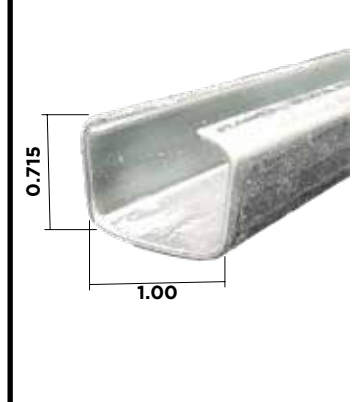


**2" STEEL INSERT - 2" RAIL**

**G3RFH148-18**  
**2" Steel Insert - 2" Rail**  
**18 Gage**  
**400 Pieces Per Bundle**

**AL- 93" (G3RFH148-18-93)**  
**NJ- 93" (G3RFH148-18-93)**  
**UT- 71" (G3RFH148-18-71)**

**Used with:**  
**2" x 7" Pocket Rail**



**1" STEEL T&G INSERT**

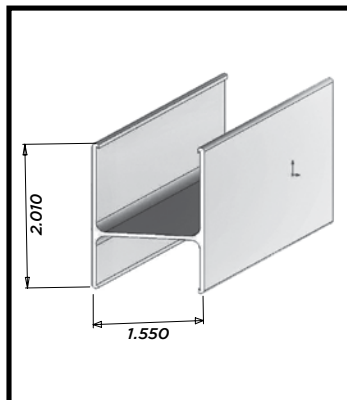
**G3RFP255U**  
**1" Steel T&G Insert**  
**18 Gage**  
**200 Pieces Per Bundled**

**AL- 62" (G3RFP255U-62)**  
**68-3/4" (G3RFP255U-68C)**  
**UT- 60" (G3RFP255U-60)**  
**68-3/4" (G3RFP255U-68C)**

Availability and profile dimensions are subject to change without notice. Check with manufacturer before ordering.  
 All dimensions are subject to manufacturer's tolerances.

# INSERT STIFFENER

## ALUMINUM INSERTS, NEXUS®1 & NEXUS® 2



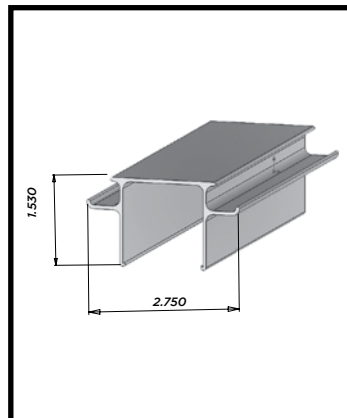
### 1-3/4" X 2-1/4" NEXUS® BOTTOM ALUMINUM INSERT

**GMB**  
**1-3/4" x 2-1/4" Nexus® Bottom**  
**Aluminum Insert**

**Pcs/Pallet: 216**  
**AL - 71-3/8", 95-3/8", 119-3/8"**

Used with:  
 Nexus 1 and Nexus 2  
 Bottom Rail

**BOTTOM RAIL**



### 1-3/4" NEXUS® 1 T-RAIL - TOP ALUMINUM INSERT

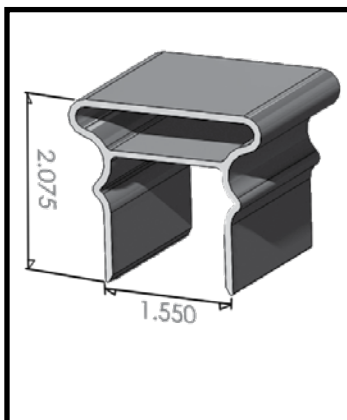
**GMT**  
**1-3/4" Nexus® T-Rail Top**  
**Aluminum Insert**

**Pcs/Pallet: 216**  
**AL - 71-3/8", 95-3/8", 119-3/8"**

Used with:  
 Nexus 1  
 Top Rail

**TOP RAIL**

W=White, T=Tan, D=Adobe



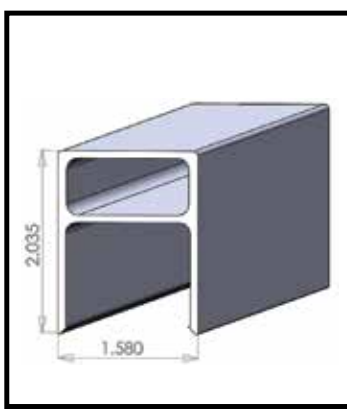
### 1-3/4" NEXUS® 2 T-RAIL - TOP ALUMINUM INSERT

**G42C**  
**1-3/4" Nexus® T-Rail Top**  
**Aluminum Insert**

**Pcs/Pallet: 216**  
**AL - 71-3/8", 95-3/8", 119-3/8"**

Used with:  
 Nexus 2  
 Top Rail (96" Spans)

**TOP RAIL**



### 1-3/4" NEXUS® 2 T-RAIL - ALUMINUM "A" INSERT

**GMXZY**  
**1-3/4" Nexus® 2 T-Rail**  
**Aluminum "A" Insert**

**Pcs/Pallet: 216**  
**AL - 71-3/8", 95-3/8", 119-3/8"**

**TOP RAIL**

# INDEX

Product and Descriptions	Part #	Page #	Product and Descriptions	Part #	Page #
<b>COLUMNS, GORILLA® COLUMNS - PAGE 43</b>					
8.40" Round Column	TD84	42	7/8" x 3" Standard Pickets	F57C	31
6.625" Round Column	TD64	42	7/8" x 3" Spade Picket	F57C-SPC	31
<b>DECK, GORILLA DECK® - PAGES 45-47</b>					
Gorilla Deck® G3	F70E	44	7/8" x 3" Dog Ear Picket	F57C-DEC	31
Gorilla Deck® Starter Strip	F73G	44	1-1/2" x 1-1/2" Standard Pickets	F42S-SPD	32
Gorilla Deck® Splice Trim	F74G	44	1" x 2" Standard Pickets	F48S	32
Gorilla Deck® Finish Trim	F75G	45	1" x 4" Utility Pickets	F49U	32
Gorilla Deck® Fascia Trim	F76G	45	2" x 3-1/2" Hollow Utility Rail	F24E	25
Gorilla Deck® Fascia Corner	F79G	45	2" x 3-1/2" Hollow Standard Rail	F24C	25
Gorilla Deck® Fascia Splice	F78G	46	2" x 3-1/2" Ribbed Rail	F24B	27
Gorilla Deck® Fascia Adapter	F77G	46	2-1/8" x 2-3/4" Standard Rail	F26S	27
Gorilla® Wood	F7A1	46	<b>POCKET RAILS, PRIVACY FENCE - PAGES 9-12</b>		
<b>FASCIA, GORILLA® POST WRAPS, FOR DECKING - PAGE 47</b>					
1-3/4" x 10' Gorilla® Post Wrap			2" x 8" Nexus® Pocket Rail	F3P8	9
Corner Trim	FMWC	47	1-1/2" x 8" Gorilla® Pocket Rail	F3P1	9
4" x 10' Gorilla® Post Wrap			2" x 7" Sun Pocket Rail	FFS7	9
Coverage Slat	FMW4	47	2" x 7" Nexus® Pocket Rail	F3P2	10
6" x 10' Gorilla® Post Wrap			1-3/4" x 7" Nexus® Pocket Rail	F3P7	10
Coverage Slat	FMW6	47	2" x 7" Gorilla® Pocket Rail	F3BF	10
8" x 10' Gorilla® Post Wrap			1-3/4" x 5-1/2" Nexus® Pocket Rail	F3P5	11
Coverage Slat	FMW8	47	1-3/4" x 5-1/2" Nexus® Mid-Rail	F3PM	11
10" x 10' Gorilla® Post Wrap			1-3/4" x 5-1/2" Gorilla® Pocket Rail	F37C	11
Coverage Slat	FMW0	47	1-1/2" x 5-1/2" Gorilla® Pocket Rail	F32G	12
12" x 10' Gorilla® Post Wrap			2" x 7" Hometown Pocket Rail	F3HT	12
Coverage Slat	FMW2	47	2" x 7" Majestic Pocket Rail	F3MJ	12
<b>GATE BRACE, FENCE/SPECIALTY PRODUCT - PAGE 20</b>					
Gate Support Brace	F86S	20	<b>POSTS, GORILLA® POSTS - PAGES 36-40</b>		
<b>GORILLA® FENCE, PRIVACY FENCE - PAGE 23</b>					
5" x 5" Gorilla® H-Post	FTG1	23	8" x 8" Standard Post	F06C	37
1-1/2" Gorilla® Post Insert	FTG2	23	6-1/2" x 6-1/2" Gorilla® Post	F08S	37
1-3/4" Gorilla® Fence U-Channel	FTG3	23	6-1/2" x 6-1/2" Post	F08E	37
<b>GORILLA® PICKET CHANNEL, FENCE/SPECIALTY PRODUCT - PAGE 19</b>					
Gorilla® Picket Channel	FTG4	19	6" x 6" Standard Post	F09C	37
<b>HANDRAILING, GORILLA® GUARD RAIL - PAGES 25-27</b>					
2" x 3-1/2" SUMMIT®, T-RAIL, CONTOUR			5" x 5" Gorilla® Post	F10K	38
2" x 3-1/2" Hollow Utility Rail	F24E	25	5" x 5" Standard Post	F10C	38
2" x 3-1/2" Hollow Standard Rail	F24C	25	5" x 5" Utility Post	F10E	38
3-1/2" Gorilla® T-Rail	F35C	25	5" x 5" Utility Ranch Post	F10J	38
3" Contour Rail	F36S	25	5" x 5" Economy Post	F10M	38
NEXUS® 1-3/4" x 2-1/4"			4" x 4" Gorilla® Post	F12C	39
1-3/4" x 2-1/4" Nexus® Rail	F3PB	26	4" x 4" Standard Post	F12N	39
1-3/4" Nexus®1 T-Rail	F34C	26	4" x 4" Utility Post	F12E	39
1-3/4" Nexus®2 T-Rail	F3N2	26	4" x 4" Value Post	F12V	39
SPECIALTY			3-1/2" x 3-1/2" Utility Post	F13E	40
4-1/2" Gorilla® Rail	FTB	27	3-1/4" x 3-1/4" Standard Post	F15S	40
Palisade Rail	FHP1	27	3" x 3" Co-Ex Standard Post	F14C	40
<b>INSERTS, ALUMINUM &amp; STEEL STIFFENERS - PAGES 49-52</b>					
5" x 5" Aluminum Insert	G10HA288-69243	49	<b>POST WRAPS - PAGES 34-35</b>		
4" x 4" Aluminum Insert	G12HA288-69312	49	8 PIECE GORILLA® POST WRAPS		
2-1/8" x 2-3/4" Down -			1-3/4" x 10' Gorilla® Post Wrap		
Aluminum Insert	G26CH288-69228	49	Corner Trim	FMWC	34
2" X 3-1/2" & T-Rail	G24PA288-69227	49	4" x 10' Gorilla® Post Wrap		
1-3/4" x 2-1/4" Nexus® Bottom			Coverage Slat	FMW4	34
Aluminum Insert	GMB	52	6" x 10' Gorilla® Post Wrap		
1-3/4" Nexus®1 T-Rail -			Coverage Slat	FMW6	34
Top Aluminum Insert	GMT	52	8" x 10' Gorilla® Post Wrap		
1-3/4" Nexus®2 T-Rail -			Coverage Slat	FMW8	34
Top Aluminum Insert	G42C	52	10" x 10' Gorilla® Post Wrap		
1-3/4" Nexus®2 T-Rail -			Coverage Slat	FMW0	34
Aluminum "A" Insert	GMXZY	52	12" x 10' Gorilla® Post Wrap		
T-Bottom Rail Insert	G24TA096-55028	50	Coverage Slat	FMW2	34
H-Rail - Aluminum Insert	G24HA096-55026	50	4 PIECE GORILLA® POST WRAPS		
Small H - Aluminum Insert	G24hA072-55027	50	4" x 4" x 10' Gorilla® Post Wrap -		
1-1/2" Steel Insert - Pocket Rail	G3RFH121-18	51	4 Piece	FPW4	35
1-3/4" Steel Insert	G3RFM147-18	51	6" x 6" x 10' Gorilla® Post Wrap -		
2" Steel Insert - 2" Rail	G3RFH148-18	51	4 Piece	FPW6	35
1" Steel T&G Insert	G3RFP255U	51	<b>PRIVACY PICKETS, PRIVACY FENCE - PAGES 13-15</b>		
<b>LATTICE CHANNEL, FENCE/SPECIALTY PRODUCT - PAGE 20</b>					
3/4" Lattice Channel	F89S	20	7/8" x 11.3" Gorilla® T&G	F61S	13
<b>PICKETS, FENCE &amp; GUARD RAILS - PAGES 29-32</b>					
1-3/4" x 1-3/4" Standard Pickets	F41S	29	7/8" x 11.3" Gorilla® Locking Picket F61L	13	
1-1/2" x 1-1/2" Standard Pickets	F42S	29	7/8" x 7" Gorilla® T&G	F62S	14
1-3/8" x 1-3/8" Standard Pickets	F43C	29	7/8" x 6" Gorilla® T&G	F54G	14
1" x 1" Standard Pickets	F45S	30	7/8" x 6" Homewood® T&G	F54C	14
1-1/4" x 1-1/2" Standard Pickets	F47S	30	7/8" x 6" Gorilla® Decorative		
7/8" x 1-1/2" Standard Pickets	F65S	30	Locking Picket	F54D	14
			7/8" x 6" Gorilla® Locking Picket		
			7/8" x 14" Gorilla® Privacy		
			No Emboss Panel		
			7/8" x 6" Ribbed Standard		
			F55B		
			F56R		
			15		
			15		
			<b>RAILS, FENCE - PAGES 16-18, 25, 27</b>		
			2" x 8" Ribbed Rail		
			F20R		
			16		
			2" x 8" Hollow Rail		
			F20S		
			16		
			2" x 6" Hollow Rail		
			F22E		
			16		
			2" x 6" Ribbed Rail		
			F22C		
			17		
			2" x 3-1/2" Hollow Utility Rail		
			F24E		
			25		
			2" x 3-1/2" Hollow Standard Rail		
			F24C		
			25		
			2" x 3-1/2" Ribbed Rail		
			F24B		
			27		
			2-1/8" x 2-3/4" Standard Rail		
			F26S		
			27		



# INDEX

Product and Descriptions	Part #	Page #	Product and Descriptions	Part #	Page #
1-1/2" x 5-1/2" Ribbed Utility Rail	F27E	17	<b>Tuf-Fence® H-Post Insert for</b>		
1-1/2" x 5-1/2" Utility Value Rail	F27M	17	H-Post	FT02	22
1-1/2" x 5-1/2" Homewood® Ribbed Rail	F27C	17	Tuf-Fence® U-Channel (Long Leg)	FT03	22
1-3/4" x 3-1/2" Hollow Standard Rail	F25B	18	<b>U-CHANNEL, FENCE/SPECIALTY PRODUCT - PAGE 19</b>		
1-1/2" x 2-3/4" Standard Rail	F23S	18	7/8" U-Channel Standard	F83S	19
<b>TRIM CHANNEL, FENCE/SPECIALTY PRODUCT - PAGE 19</b>					
7/8" Trim Channel	F83U	19			
<b>TUF-FENCE®, PRIVACY FENCE - PAGES 21-22</b>					
Tuf-Fence® H-Post	FT01	21			
Tuf-Fence® Pocket Rail	FT12	21			
Tuf-Fence® Lattice Top Rail	FT13	21			
Tuf-Fence® Mid-Rail	FT11	22			

# NOTES

---

---

---

---

---

---

---

---

---

---

---

---

---

---

---

---

---

---

---

---

---

---

---

---

---