



Merchants Metals<sup>®</sup>

*the first name in fence solutions*

2021 CATALOG

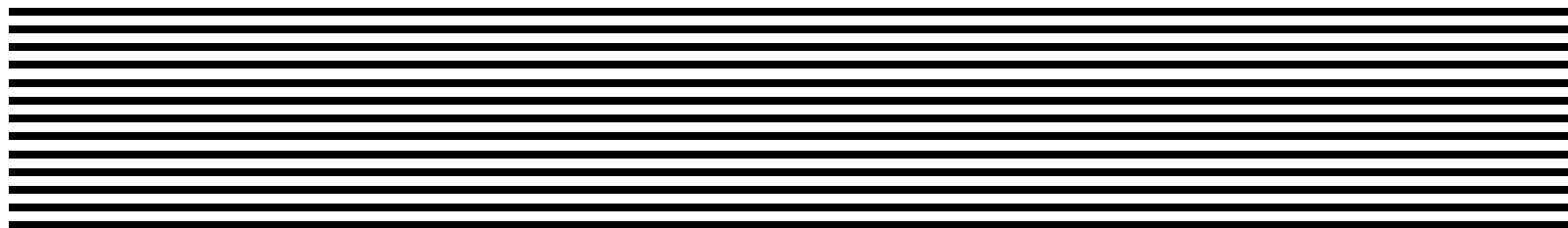
**3RD QUARTER**

**PROFILE  
EXTRUSIONS  
& INSERTS**

**Availability, specification and profile dimensions are subject to change without notice. Check with manufacturer before ordering.**

*Updated 07-20-21*

21-201- M1135-21MM



## **A NOTE FROM HOMELAND MANAGEMENT:**

All building material inventories have become increasingly limited since early 2020, and vinyl is no exception. We have seen an unprecedented surge of demand, which we have been striving to meet against a large-picture backdrop of a global pandemic and multiple supply-chain impacting Gulf hurricanes.

We have recently acquired a sixth manufacturing plant in Texas to help alleviate some of the pressure at our other locations. All of our plants have been, and will continue to be, running 24 hours per day, seven days a week. We have also improved production capacity without compromising quality, added new manufacturing lines, and introduced truckload allocation for better yard balance, but are finding it increasingly difficult to fulfill the wide array of current fabrication demands.

We will be updating and revising our 2021 catalog in the interest of streamlining our manufacturing supply to your fabrication facilities while reducing order lead times. The catalog will also be made available online and will be updated with our modifications. Our profile offerings will be reviewed each quarter to ensure we remain in step with your supply needs.

We at Homeland Vinyl truly value our relationships with you, our loyal customers. We know this year has not been an easy one, but we've made it better together with cooperation and compromise. After a fine-tuning of processes on both sides, we're certain of a secure partnership and successful future.

## **Table of Contents**

<b>3..... Homeland Company Statement</b>	<b>Rails..... 13</b>
<b>4..... Item Key</b>	<b>Gorilla Fence..... 17</b>
<b>6..... Declaration of Principles</b>	<b>18..... Gorilla Guard Rail Systems</b>
<b>6..... Made To Order (MTO) Program</b>	<b>2"x3-1/2" Rail..... 19</b>
<b>7..... Fabrication Guidelines</b>	<b>Summit T-Rail..... 19</b>
<b>8..... Fence Profiles</b>	<b>20..... Pickets</b>
<b>    Pocket Rail..... 9</b>	<b>25..... Gorilla Post</b>
<b>    Privacy Pickets..... 11</b>	<b>30..... Insert / Stiffeners</b>
	<b>34..... Index</b>
	<b>34..... Notes</b>

# HOMELAND VINYL

## COMPANY STATEMENT

Homeland Vinyl Products, Inc. is dedicated to delivering high quality products and excellent service to our customers without exception. We understand the importance of our customers' success in the Fence, Deck, Railing and Outdoor Living Products markets. We value our relationships with our customers and pledge that we will operate at the highest level of integrity.

## CUSTOMER ACCOUNTS

All customers are required to complete an Application for Trade Account and update it periodically. This application requires the signature of a Corporate Officer, Managing Member, Partner or Owner. Homeland Vinyl Products, Inc. only sells wholesale. Customers are required to provide a copy of their company's sales tax exemption certificate or resale certificate before any sale can be initiated. Customers are further required to provide Homeland Vinyl Products, Inc. updated sales tax exemption or resale certificates upon expiration of the initial certificate provided. Standard terms are payment in full by electronic check, wire transfer, or credit card at time of shipment. Payments can be made at HomelandVinyl.com. Customers requesting credit terms must submit financial information. Credit terms are net 30 days subject to the approval of Homeland® based on financial data provided, credit checks, and payment history. Credit terms are subject to change. Customer accounts outside of agreed terms are subject to being placed On Hold with shipments held until the account is satisfied. Accounts not paid within terms will be charged interest at the rate of 1.5% per month. Prices are subject to change without notice.

## PLACING ORDERS

All orders are subject to acceptance and approval. All orders must be submitted in writing by fax or email to Homeland Vinyl Products, Inc. All product orders must be clearly identified by part number, color, detailed description, and quantity. Illegible orders will not be accepted. All orders will be confirmed in writing with the Terms and Conditions of Sale before acceptance. Confirmed orders cannot be canceled without authorization. Please contact a Homeland® Customer Service Representative for additional order information and requirements.

## SHIPMENT OF ORDERS / DAMAGE OR SHORTAGES

Homeland® ships products from the factory and from distribution centers. Homeland reserves the right to ship its customers the products they ordered from any location. All prices are F.O.B. point of shipment. The customer is responsible for reviewing all order confirmations for the correct customer shipping address. Homeland strives to find the cheapest reliable shipping method for all orders. Homeland is not responsible for delays in delivery when caused by strikes, fires, accidents, Acts of God, or other forces outside of Homeland's control. Please contact a Homeland Customer Service Representative for your specific needs and additional shipping information.

All shipments received should be immediately inspected by the customer. All dents, tears, breakages, or other visible damage to both packaging materials and products should be noted on the shipping documents with a copy given to the freight carrier and a copy sent to Homeland. Damages or lost product due to shipping must be reported and claimed from the freight carrier. All claims of material shortages or damaged goods must be made within 48 hours of customer's receipt of products.

## RETURNED GOODS POLICY

All returns of products must have the prior written approval of an authorized representative of Homeland®, must be for justifiable reasons, and must be within 60 days of receipt of product. Customers requesting to return products must submit in writing in advance of return a detailed list of the materials to be returned, date of purchase, invoice number, and reason for return. Custom and special order items will not be accepted for return. Do not return any items without a return authorization. All returned material must be shipped to the plant location from which the shipment originated. The material must be freight prepaid and include a list of the products returned and a copy of the Homeland return authorization. Returned products must be received by Homeland in same packaging and condition as originally sent and are subject to our Warehouse Manager's count and inspection. **Any credits issued for approved returns will be based on the invoice price of the returned products at time of purchase by customer less a restocking charge of 20%.**

## LIMITED WARRANTY

Homeland® warrants that the products we manufacture are free of defects in materials and workmanship subject to the terms of our published warranties. Products distributed by Homeland, but not manufactured by Homeland, are covered under the original manufacturer's warranty. Please contact a Homeland Customer Service Representative for specific information on the warranty of the Homeland products you wish to purchase. Additional warranty information is detailed in the Terms and Conditions on the back of each invoice.

**TERMS AND CONDITIONS OF SALE ARE SPECIFIED WITH ORDER CONFIRMATION AND DETAILED ON THE FRONT AND BACK OF EVERY INVOICE.**

# ITEM KEY EXPLANATION

## COLOR CODES

W – White   Y - Honey Maple   D - Adobe   I - Chai Gray   T - Tan   B - Beige  
 O - Mocha Walnut   U - Green Teak   S - Sand   G - Gray   H - Ash Gray  
**F7A1 (Gorilla Wood) Only   L – Light Gray   F - Dark Gray   C - Chestnut**

*(See following pages for Adobe, Gray, Ash Gray and Sand ordering guidelines)*

## INVENTORY CODES

<b>F54U</b>	<b>W</b>	<b>064</b>	<b>346</b>
Profile	Color	Length	Pieces
Code	Code	in Inches	per Bundle

Refer to profile sheet to obtain the profile code for the product you are ordering.  
 Always review your order confirmation with descriptions to ensure order accuracy.

When ordering a length that is fractional, use

the following list to determine the proper code for the length you require.

1/4" - A	1/2" - B	3/4" - C	1/8" - D
3/8" - E	5/8" - F	7/8" - G	11/16" - H

Example: 64-1/2" would be 64B

## 2021 Guideline of Adobe

Adobe orders are considered special orders.

Stock will not be produced in these profiles. **EXPECT LONG LEAD TIMES!**

### ADOBE from UTAH Plant can only be ordered in the following profiles & lengths in 2021:

F10E - 5" x 5" Post (8' & 16')	F83U - 7/8" Trim (10'2")	F43C - 1-3/8" x 1-3/8" Picket (16')	F12N - 4" x 4" Post (16')
F54G - 7/8" x 6" Utility T & G (60-1/4", 16')	F83S - 7/8" Trim (10'2")	F65S - 7/8" x 1-1/2" Standard Picket (16')	F86S - Gate Support Brace (8')
F61S - 7/8" x 11.3" Gorilla® T&G (60-1/4", 16')	F32G - 1.5" X 5.5" Gorilla® Pocket Rail (71.5", 16')	F57C - 7/8" x 3" Standard Picket (16')	
F24E - 2" x 3-1/2" Utility Rail (12')	F42S - 1-1/2" x 1-1/2" Picket (16')	F12C - 4" x 4" Post (16')	

### ADOBE from TENNESSEE Plant can only be ordered in the following profiles & lengths in 2021:

F83U - 7/8" Trim (10'2")	F43C - 1-3/8" x 1-3/8" Picket (31-3/4', 32', 32-1/2', 38', 38-1/2', 16')	F57C - DEC - 7/8" x 3" Dog Ear Picket (45-7/8")	F12V - 4" x 4" Post (8')
F42S - 1-1/2" x 1-1/2" Picket (16')	F65S - 7/8" x 1-1/2" Standard Picket (16')	F42S - SPD - 1-1/2" x 1-1/2" Sharp Picket (45-7/8")	F12E - 4" x 4" Post (9', 16')
F86S - Gate Support Brace (8')	F57C - 7/8" x 3" Standard Picket (16')	F12C - 4" x 4" Post (16')	
F24E - 2" x 3-1/2" Utility Rail (16')	F57C - SPC - 7/8" x 3" Spade Picket (45-7/8")	F12N - 4" x 4" Post (16')	
F35C - 3-1/2" T-Rail (16')			

# 2021 Guideline of Adobe

Adobe orders are considered special orders.

Stock will not be produced in these profiles. **EXPECT LONG LEAD TIMES!**

**ADOBE from ALABAMA Plant can only be ordered in the following profiles & lengths in 2021:**

<i>F10E - 5" x 5" Post (9' &amp; 16')</i>	<i>F35C - 3-1/2" T-Rail (16')</i>	<i>F86S - Gate Support Brace (8') F43C - 1-3/8" x 1-3/8" Picket (16')</i>	<i>F08S - 6-1/2" x 6-1/2" Post (9', 16')</i>
<i>F54G - 7/8" x 6" Utility T &amp; G (16')</i>	<i>F22C - 2" x 6" Ribbed Rail (12', 16')</i>	<i>F45S - 1" x 1" Standard Picket (16')</i>	<i>F08E - 6-1/2" x 6-1/2" Post (9', 10', 12')</i>
<i>F24E - 2" x 3-1/2" Utility Rail (16')</i>	<i>F3PM - 1-3/4" x 5-1/2" Nexus Mid Rail (16')</i>	<i>F65S - 7/8" x 1-1/2" Standard Picket (16')</i>	<i>F09C - 6" x 6" Post (9', 16')</i>
<i>F83U - 7/8" Trim (10'2")</i>	<i>F3P5 - 1-3/4" x 5-1/2" Nexus® Pocket Rail (16')</i>	<i>F57C - 7/8" x 3" Standard Picket (16')</i>	<i>F12C - 4" x 4" Post (16')</i>
<i>F83S - 7/8" Trim (10'2")</i>	<i>F56R - 7/8" x 6" Ribbed Standard (16')</i>	<i>F48S - 1" x 2" Standard Picket (16')</i>	<i>F12N - 4" x 4" Post (16')</i>
<i>F42S - 1-1/2" x 1-1/2" Picket (16')</i>	<i>FTG4 - Gorilla® Picket Channel (72")</i>	<i>F06C - 8" x 8" Post (9')</i>	<i>F12V - 4" x 4" Post (8')</i>
<i>F32G - 1.5" X 5.5" Gorilla® Pocket Rail (70", 16')</i>			<i>F12E - 4" x 4" Post (9', 16')</i>

**SORRY, "MTO" IS NOT AVAILABLE IN 2ND QUARTER OR UNTIL FURTHER NOTICE!**  
MADE TO ORDER (MTO) PROGRAM  
Some profiles and lengths are only available as "Made To Order" (MTO) and will only be produced as can be seen in the Homelands website. Types of Homelands profiles are subject to change without notice. Please refer to our website for the most current information.

## *Declaration of Principles Fence, Deck, and Rail Business*



Homeland Vinyl Products, Inc. is committed to the highest standards of quality in its Fence, Deck, and Rail business - both in the products it manufactures and the manner in which its business is conducted. Since Homeland's success is directly linked to the success of its customers, Homeland pledges to develop, fabricate and market innovative and successful vinyl fence, deck, and rail products.

Our commitment to our customers has three major components:

- Product Quality*
- Innovation and Leadership*
- Customer Service and Support*

Through quality, innovation, and an unwavering commitment to customer satisfaction, Homeland Vinyl Products, Inc. is building a secure and prosperous future for itself and its customers.

# FABRICATION GUIDELINES

**Homeland Vinyl Products does not warranty bowing of pickets.**

**Please make sure of proper installation to reduce all of the factors mentioned.**

1. Make sure all metal stiffeners are in the correct orientation for the rail as used.
2. Make sure all rails are notched.
3. U-channel trim must be screwed to the post to help stabilize T&G boards.
4. Do not use any clear wrapping or shrink wrap on fence for storage or transportation. Make sure any wrap or protection of the fence or profiles does not absorb and retain heat. It will cause warping.
5. Product expansion and contraction is temperature dependent and will vary more in longer lengths and darker colors. Please take this into account during installation.
6. Do not store or install product next to a heat source.
7. Avoid installing the product near reflective surfaces (e.g. glass windows and glass doors), which can concentrate sunlight and heat the product.
8. Avoid installing the product on or adjacent to concrete, asphalt, or dark-colored gravel.
9. Make sure rail ends have at least 1 inch clearance of each other when inserted into posts for 6' spans, and

at least 1.5 inch clearance on 8' spans. This will allow for adequate expansion and contraction of rails within the posts and prevent bowing.

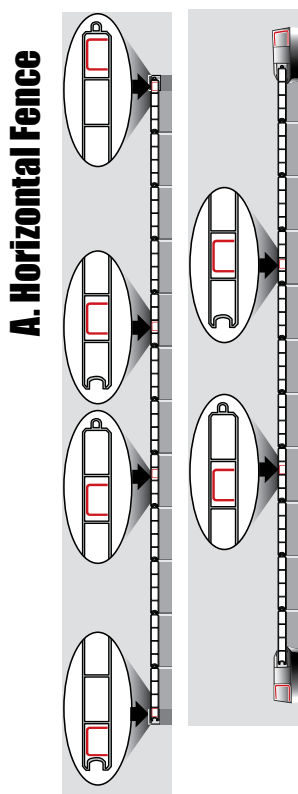
10. Do not put dirt or mulch against rails. It could cause rails to permanently bow out.

11. **CAUTION** - Make sure pickets are cut for adequate clearance within the rail pocket to allow for thermal expansion. If the pickets are binding against the rail, they will cause excessive bowing with thermal expansion. When dealing with installation on slopes, ensure that there is adequate clearance for pickets inside of the rail and cut picket at a slight angle if necessary.

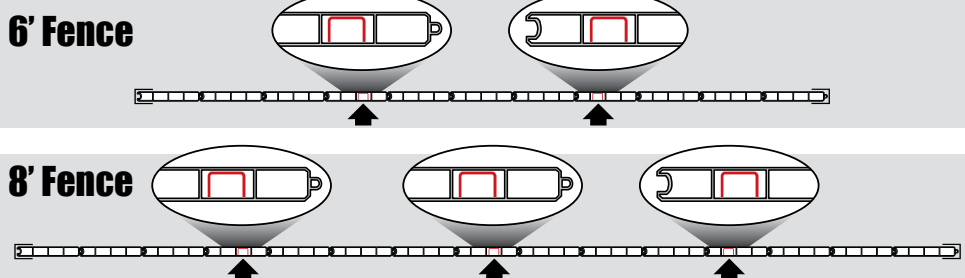
In addition to guidelines 1-11, please consider the following information regarding EverGuard series of products:

1. Metal stiffeners must be used in all rails for the EverGuard series of product.
2. Midrail or Merchants Metals approved metal picket stiffeners must be used to reduce T&G bowing.
3. Scratches will be more evident in darker colors. Use caution when transporting and installing the products.

## Insert Placement & Orientation

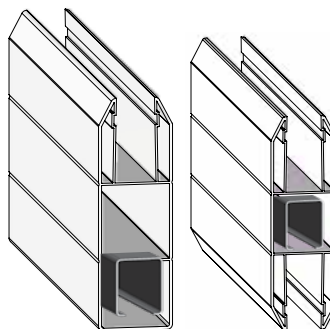


### B. Vertical Fence



### C. Can be used for: 5-1/2", 7" and 8" Nexus or Gorilla Pocket Rail & Mid-Rail

Proper steel insert orientation shown for bottom rail. Reverse for top rail.



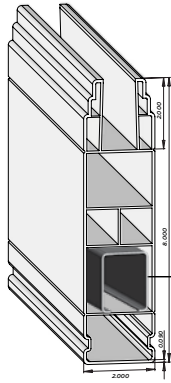
# FENCE PROFILES





# PRIVACY FENCE POCKET RAIL

## 2" X 8" NEXUS® POCKET RAIL



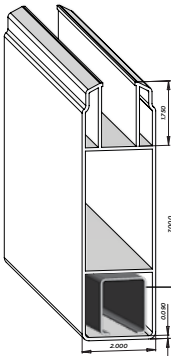
Proper G3RFH steel insert orientation shown for bottom rail. Reverse for top rail.

**F3P8**  
**2"x8" Nexus® Pocket Rail**  
**(7/8" x 2" Pocket)**  
**Pcs/Pallet: 55**

**NJ - 70", 94" (WHITE ONLY)**

**F3P8 LIMITED AVAILABILITY.**  
**RUN ONLY ONCE OR TWICE**  
**YEARLY.**

## 2" X 7" KEYSTONE WEST POCKET RAIL



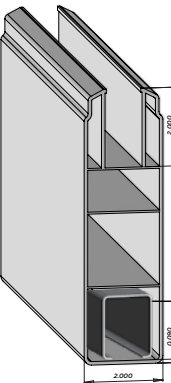
Proper G3RFH steel insert orientation shown for bottom rail. Reverse for top rail.

**FKW7**  
**2"x 7" Keystone West Pocket Rail**  
**(7/8" x 1 3/4" Pocket)**  
**Pcs/Pallet: 66**

**UT - 94", 16' (WHITE & TAN ONLY)**

**FKW7 HOMEWOOD OPTIONS NOT AVAILABLE IN 3RD QUARTER**

## 2" X 7" KEYSTONE EAST POCKET RAIL



Proper G3RFH steel insert orientation shown for bottom rail. Reverse for top rail.

**FKE7**  
**2"x 7" Keystone East Pocket Rail**  
**(7/8" x 2" Pocket)**  
**Pcs/Pallet: 66**  
**AL - 94", 16' (WHITE & TAN ONLY)**

**FKE7 LIMITED AVAILABILITY.**  
**RUN ONLY ONCE OR TWICE**  
**YEARLY.**

Availability, specification and profile dimensions are subject to change without notice. Check with manufacturer before ordering. All dimensions are subject to manufacturer's tolerances. Nexus® is a registered trademark of Homeland Vinyl Products, Inc. Gorilla® is a registered trademark of Homeland Vinyl Products, Inc. \*\*Only runs once or twice yearly.

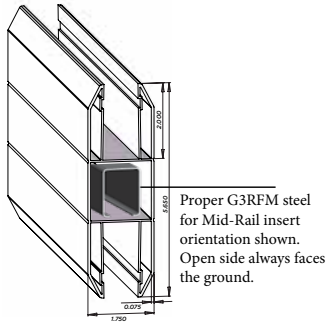
HOMELAND VINYL PRODUCTS, Inc.

21-201- M1135-21MM

Homeland Profiles: 800.999.6813 | www.Homelandvinyl.com | Waymark Accessories: 877-652-6118

# PRIVACY FENCE POCKET RAIL

## 1-3/4" X 5-1/2" NEXUS® MID-RAIL



Proper G3RFM steel for Mid-Rail insert orientation shown. Open side always faces the ground.

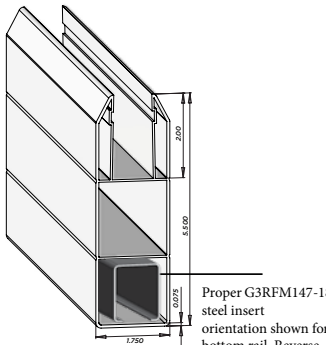
**F3PM**  
**1-3/4" x 5-1/2" Nexus® Mid-Rail**  
**(7/8" x 2" Pocket)**  
**Pcs/Pallet: 98**  
**AL - 70", 16' (WHITE & TAN)**  
**AL - 16' (ADOBE)**

**Note: 16' Insert Required Separately**

F3PM - Adobe is Available - See Page 4 & 5

**F3PM HOMEWOOD OPTIONS NOT AVAILABLE IN 3RD QUARTER**

## 1-3/4" X 5-1/2" NEXUS® POCKET RAIL



Proper G3RFM147-18 steel insert orientation shown for bottom rail. Reverse for top rail.

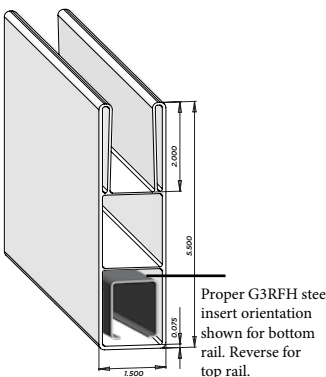
**F3P5**  
**1-3/4" x 5-1/2" Nexus® Pocket Rail**  
**(7/8" x 2" Pocket)**  
**Pcs/Pallet: 98**  
**AL - 70", 94" (WHITE ONLY)**  
**AL - 70", 16' (TAN ONLY)**  
**AL - 16' (ADOBE)**

**Note: 16' Insert Required Separately**

F3P5 - Adobe is Available - See Page 4 & 5

**F3P5 HOMEWOOD OPTIONS NOT AVAILABLE IN 3RD QUARTER**

## 1-1/2" X 5-1/2" GORILLA® POCKET RAIL



Proper G3RFH steel insert orientation shown for bottom rail. Reverse for top rail.

**F32G**  
**1-1/2" x 5-1/2" Gorilla® Pocket Rail**  
**(7/8" x 2" Pocket)**  
**Pcs/Pallet: 114**  
**AL - 70", 94", 16' (WHITE & TAN)**  
**AL - 70", 16' (ADOBE)**  
  
**NJ - 70", 94", 16' (WHITE & TAN)**  
  
**UT - 71-1/2", 76", 83", 94", 16' (WHITE, TAN)**  
**UT - 71-1/2", 94" (SAND & ASH GRAY)**  
**UT - 71-1/2", 16' (ADOBE)**  
  
**FL - 70", 94" (WHITE & TAN ONLY)**

**Note: 16' Insert Required Separately**

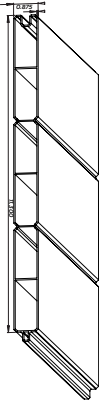
F32G - Adobe is Available - See Page 4 & 5

Availability, specification and profile dimensions are subject to change without notice. Check with manufacturer before ordering.

All dimensions are subject to manufacturer's tolerances. \*\*Only runs once or twice yearly.

Gorilla® is a registered trademark of Homeland Vinyl Products, Inc. Nexus® is a registered trademark of Homeland Vinyl Products, Inc.

**PRIVACY FENCE  
PRIVACY PICKETS**

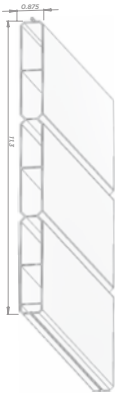


**7/8" X 11.3" GORILLA® T&G**

**F61S**  
7/8" x 11.3" Gorilla® T&G  
Pcs/Pallet: 100

UT - 55-1/4", 60-1/4", 62-1/4", 64",  
16' (100 Pcs/Pallet) (WHITE, TAN)  
UT - 60-1/4", 16' (100 Pcs/Pallet) (ADOBE)  
UT - 16' (100 Pcs/Pallet) (ASH GRAY)

F61S - Adobe Is Available -  
See Page 4 & 5



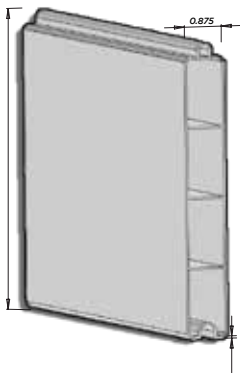
**7/8" X 11.3" GORILLA® LOCKING PICKET**

**F61L**  
7/8" x 11.3" Gorilla® Locking Picket  
Pcs/Pallet: 100

**NOT AVAILABLE IN 3RD  
QUARTER OR UNTIL  
FURTHER NOTICE!**

F61L LIMITED AVAILABILITY.

W=White, T=Tan, D=Adobe



**7/8" X 6" GORILLA® T&G**

**F54G**  
7/8" x 6" Gorilla® T&G  
Pcs/Pallet: 178 (16'),

Shorter Lengths, 346

AL - 48", 52", 57-1/2", 59-1/2", 61",  
62-1/4", 64", 66-1/2", 69-1/2", 70", 16' (WHITE, TAN)

AL - 16' (ADOBE)

NJ - 48", 52", 57-1/2", 59-1/2", 61", 62-1/4", 64", 16' (WHITE & TAN)

NJ - 16' (GRAY)

UT - 47-1/4", 55-1/4", 59-1/4", 60-1/4",  
62-1/4", 72", 16' (WHITE, TAN)

UT - 60-1/4", 16' (ADOBE & SAND)

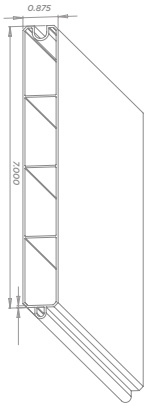
FL - 62-1/4", 16' (WHITE & TAN ONLY)

F54G - Adobe Is Available -  
See Page 4 & 5

**F54C HOMEWOOD OPTIONS NOT  
AVAILABLE IN 3RD QUARTER**

Availability, specification and profile dimensions are subject to change without notice. Check with manufacturer before ordering.  
All dimensions are subject to manufacturer's tolerances. \*\*Only runs once or twice yearly.  
Gorilla® is a registered trademark of Homeland Vinyl Products, Inc.

**FENCE  
PRIVACY PICKETS**

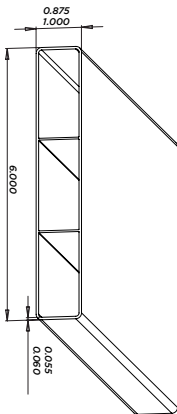


**7/8" X 7" GORILLA® T&G**

**F62S**  
**7/8" x 7" Gorilla® T&G**  
**Pcs/Pallet: 148 (16')**  
**Interchangeable: 2, 2**

**NOT AVAILABLE IN 3RD  
QUARTER OR UNTIL  
FURTHER NOTICE!**

AL - 60', 61'  
 NJ - 60", 61", 16'  
 UT - 60", 61", 16'  
 FL - 60", 61", 16'  
 YEARLY.



**7/8" X 6" RIBBED STANDARD**

**F56R**  
**7/8"x6" Ribbed Standard**  
**Pcs/Pallet: 178**  
**AL - 69-1/2" 12', 16' (WHITE & TAN)**  
**AL - 16' (ADOBE)**  
**NJ - 16' (Stocked In NJ - White & Tan) (WHITE & TAN ONLY)**  
**UT - 16' (WHITE & TAN ONLY)**  
**FL - 69-1/2", 16' (Stocked in FL) (WHITE & TAN ONLY)**

F56R - Adobe Is Available -  
 See Page 4 & 5

Availability, specification and profile dimensions are subject to change without notice. Check with manufacturer before ordering.  
 All dimensions are subject to manufacturer's tolerances.  
 \*\*Only runs once or twice yearly.

# FENCE RAILS

### 2" X 8" RIBBED RAIL

**F2OR**  
**2"x8" Ribbed Rail**  
**Pcs/Pallet: 66**  
**AL - 16', 24' (WHITE & TAN ONLY)**

F2OR LIMITED AVAILABILITY.  
 RUN ONLY ONCE OR TWICE  
 YEARLY.

### 2" X 8" HOLLOW RAIL

**F2OS**  
**2" X 8" Hollow Rail**  
**Pcs/Pallet: 66**  
**AL - 16', 24' (WHITE & TAN ONLY)**

### 2" X 6" HOLLOW RAIL

**F22E**  
**2"x6" Hollow Rail**  
**Pcs/Pallet: 88**  
**AL - 16', 24' (WHITE & TAN ONLY)**

Availability, specification and profile dimensions are subject to change without notice. Check with manufacturer before ordering.

All dimensions are subject to manufacturer's tolerances.

\*Limited availability, Check with customer service.

\*\*Only runs once or twice yearly.

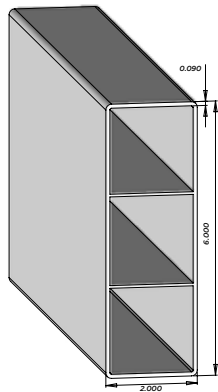
HOMELAND VINYL PRODUCTS, Inc.

21-201- M1135-21MM

Homeland Profiles: 800.999.6813 | www.Homelandvinyl.com | Waymark Accessories: 877-652-6118

**FENCE  
RAILS**

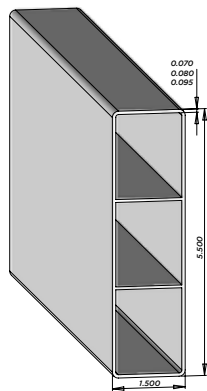
**2" X 6" RIBBED RAIL**



**F22C (0.090 wall)**  
**2"x6" Ribbed Rail**  
**Pcs/Pallet: 88**  
**AL - 94", 12', 16' (WHITE & TAN)**  
**AL - 12', 16' (ADOBE)**  
**NJ - 8', 94", 16' (Stocked In NJ - White & Tan) (WHITE & TAN ONLY)**  
**UT - 12', 16' (WHITE & TAN ONLY)**  
**FL - 16' (Stocked in FL - White & Tan) (WHITE & TAN ONLY)**

F22C - Adobe Is Available - See Page 6

**1-1/2" X 5-1/2" RIBBED RAIL (UTILITY & UTILITY VALUE)**

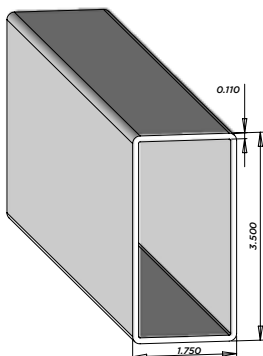


**F27E (0.080 Wall)**  
**1-1/2" x 5-1/2" Ribbed Utility Rail**  
**Pcs/Pallet: 114**  
**AL - 94", 16' (WHITE & TAN ONLY)**  
**UT - 16' (WHITE & TAN ONLY)**  
**TX - 94", 16' (WHITE ONLY)**

**F27M (0.070 Wall)**  
**1-1/2" x 5-1/2" Utility Value Rail (Color Inside)**  
**Pcs/Pallet: 114**  
**AL - 16' (WHITE & TAN ONLY)**  
**UT - 16' (WHITE & TAN ONLY)**  
**FL - 16' (Stocked in FL) (WHITE & TAN ONLY)**  
**TX - 16' (WHITE ONLY)**

**F27C HOMEWOOD OPTIONS NOT AVAILABLE IN 3RD QUARTER**

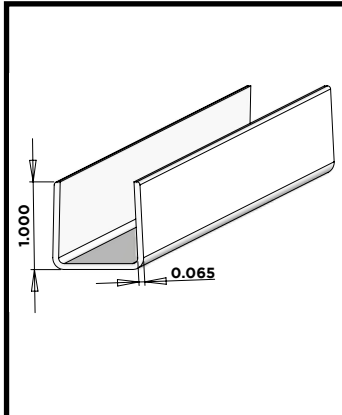
**1-3/4" X 3-1/2" HOLLOW STANDARD**



**F25B (0.110 wall)**  
**1-3/4" x 3-1/2" Hollow Standard Rail**  
**Pcs/Pallet: 156**  
**AL - 12', 16' (WHITE & TAN ONLY)**  
**UT - 12', 16' (WHITE & TAN ONLY)**  
**FL - 12' (Stocked in FL) (WHITE & TAN ONLY)**

Availability, specification and profile dimensions are subject to change without notice. Check with manufacturer before ordering.  
 All dimensions are subject to manufacturer's tolerances.  
 \*\*Only runs once or twice yearly.

**SPECIALTY PRODUCTS**  
**U-CHANNEL, TRIM CHANNEL, GATE SUPPORT BRACE**



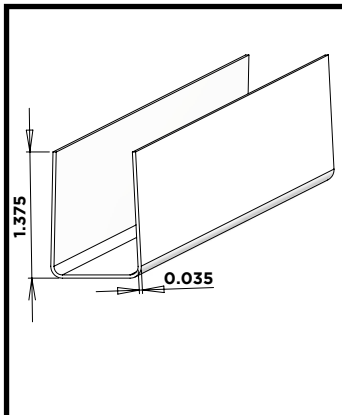
F83S - Adobe Is Available -  
 See Page 4 & 5

**7/8" U-CHANNEL STANDARD**

**F83S**  
**7/8" U-Channel Standard**  
**Pcs/Box: 64 (10' 2")**  
**(Shorter lengths**  
**1280 Pcs/Pallet)**  
**AL - 10'2", 60-7/8" (WHITE & TAN)**  
**AL - 10'2" (ADOBE)**  
**NJ - 10'2" (Stocked In NJ) (WHITE, TAN & ADOBE)**  
**UT - 10'2" (Stocked In UT) (WHITE, TAN & ADOBE)**

**- NO MTO**

**F83S HOMEWOOD OPTIONS NOT AVAILABLE IN 3RD QUARTER**



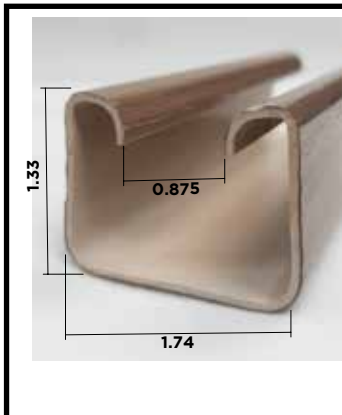
F83U - Adobe Is Available -  
 See Page 4 & 5

**7/8" TRIM CHANNEL**

**F83U**  
**7/8" Trim Channel**  
**Pcs/Box: 60 (10' 2")**  
**(Shorter lengths**  
**840 Pcs/Pallet)**  
**AL - 10'2", 58-3/4", 59-1/4", 60-7/8" (WHITE & TAN)**  
**AL - 10'2" (ADOBE, SAND, GRAY & ASH GRAY)**  
**NJ - 58", 58-3/4", 60-7/8", 10'2" (Stocked In NJ) (WHITE & TAN)**  
**TN - 10'2", 58-3/4", 59-1/4", 60-7/8" (WHITE & TAN)**  
**TN - - 10'2" (ADOBE, SAND, GRAY & ASH GRAY)**  
**UT - 10'2", 52", 57", 58-3/4", 59" (Stocked In UT) (WHITE & TAN)**  
**UT - - 10'2" (ADOBE, SAND, GRAY & ASH GRAY)**  
**FL - 58-3/4", 59", 59-1/4" (Stocked in FL) (WHITE & TAN ONLY)**

**- NO MTO**

**FTG4 HOMEWOOD OPTIONS NOT AVAILABLE IN 3RD QUARTER**



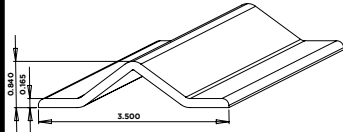
FTG4 - Adobe Is Available -  
 See Page 4 & 5

**GORILLA® PICKET CHANNEL**

**FTG4**  
**Gorilla Picket Channel**  
**Pcs/Box: 40 Box**  
**AL - 72" (WHITE, TAN & ADOBE)**

**SPECIALTY PRODUCTS**  
**GATE SUPPORT, LATTICE CHANNEL**

**GATE SUPPORT BRACE**



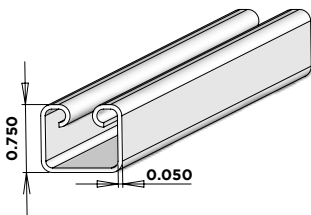
**F86S (0.165 wall)**  
**Gate Support Brace**  
**Bundled: 240 pcs**  
**Boxed: 24 pcs**

**- NO MTO**

- AL - 8' (Bundled), 12' (Box) (WHITE & TAN)**
- AL - 8' (Bundled), (ADOBE)**
- FL - 8' (Bundled) (Stocked in FL) (WHITE & TAN ONLY)**
- TN - 8' (Bundled) (WHITE, TAN & ADOBE)**
- UT - 8' (Bundled) (Stocked in UT) (WHITE, TAN & ADOBE)**

F86S - Adobe Is Available -  
 See Page 4 & 5

**3/4" LATTICE CHANNEL**



**F89S (0.050 wall)**  
**3/4" Lattice Channel**  
**Pcs/Box: 60**

**- NO MTO**

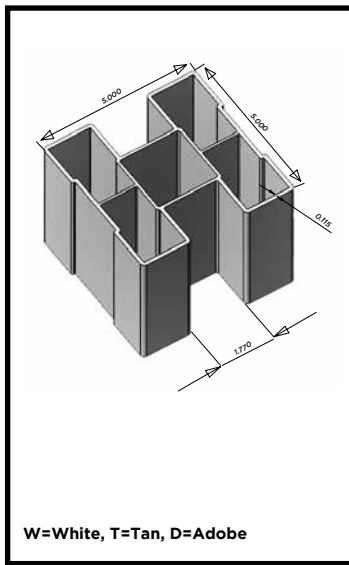
- AL - 8' (WHITE, TAN & ADOBE)**

F89S - Adobe Is Available -  
 See Page 4 & 5

Availability, specification and profile dimensions are subject to change without notice. Check with manufacturer before ordering.  
 All dimensions are subject to manufacturer's tolerances.



# PRIVACY FENCE GORILLA® FENCE



## 5" X 5" GORILLA® H-POST

**FTG1 (0.115 wall)**  
**5" x 5" Gorilla®**  
**H-Post**

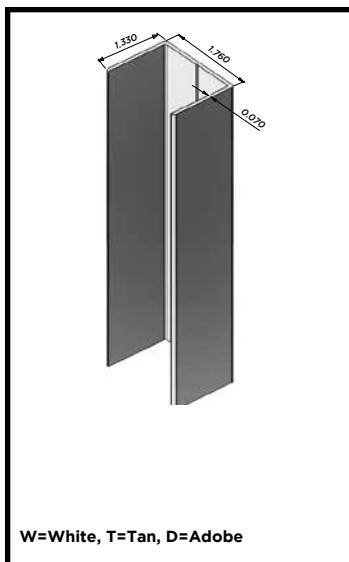
**AL - 9'**

**FTG1 LIMITED AVAILABILITY.**  
**RUN ONLY ONCE OR TWICE**  
**YEARLY.**

**HOMEWOOD OPTION FTG1**  
**O=Mocha Walnut, Y=Honey Maple,**  
**I=Chai Gray,, U=Green Teak**  
**FTG1**  
**AL - 9'**

**SPECIAL 2021**  
**INSTRUCTIONS!**  
**CALL YOUR CUSTOMER**  
**SERVICE / SALES**  
**PERSON FOR MORE**  
**INFO!**

W=White, T=Tan, D=Adobe



## 1-1/2 GORILLA® POST INSERT

**FTG2 (0.070 wall)**  
**1-1/2 Gorilla®**  
**Post Insert**

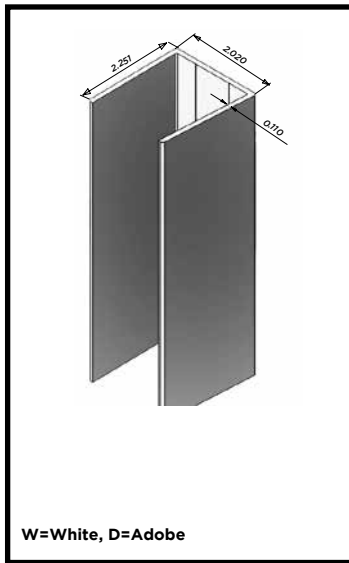
**AL - 8'**

**FTG2 LIMITED AVAILABILITY.**  
**RUN ONLY ONCE OR TWICE**  
**YEARLY.**

**HOMEWOOD OPTION FTG2**  
**O=Mocha Walnut, Y=Honey Maple,**  
**I=Chai Gray,, U=Green Teak**  
**FTG2**  
**AL - 8'**

**SPECIAL 2021**  
**INSTRUCTIONS!**  
**CALL YOUR CUSTOMER**  
**SERVICE / SALES**  
**PERSON FOR MORE**  
**INFO!**

W=White, T=Tan, D=Adobe



## 1-3/4 GORILLA® FENCE U-CHANNEL

**FTG3 (0.110 wall)**  
**1-3/4 Gorilla®**  
**Fence U-Channel**

**AL - 8'**

**FTG3 LIMITED AVAILABILITY.**  
**RUN ONLY ONCE OR TWICE**  
**YEARLY.**

**HOMEWOOD OPTION FTG3**  
**O=Mocha Walnut, Y=Honey Maple,**  
**I=Chai Gray,, U=Green Teak**  
**FTG3**  
**AL - 8'**

**SPECIAL 2021**  
**INSTRUCTIONS!**  
**CALL YOUR CUSTOMER**  
**SERVICE / SALES**  
**PERSON FOR MORE**  
**INFO!**

W=White, D=Adobe

Availability, specification and profile dimensions are subject to change without notice. Check with manufacturer before ordering.  
All dimensions are subject to manufacturer's tolerances. \*\*Only runs once or twice yearly.

Gorilla® is a registered trademark of Homeland Vinyl Products, Inc.

HOMELAND VINYL PRODUCTS, Inc.

21-201- M1135-21MM

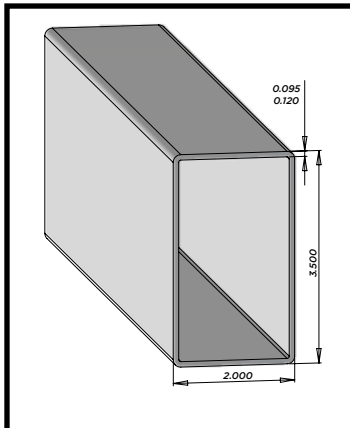
Homeland Profiles: 800.999.6813 | www.Homelandvinyl.com | Waymark Accessories: 877-652-6118

# GORILLA® GUARD RAIL PROFILES



# GORILLA™ GUARD RAIL

## SUMMIT® 2x3-1/2, T- RAIL



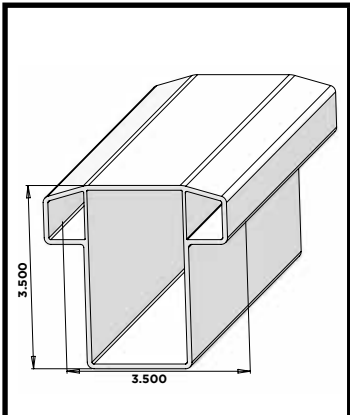
F24E - Adobe Is Available - See Page 4 & 5

### 2" X 3-1/2" HOLLOW UTILITY RAIL

- F24E (0.095 Wall)**  
**2"x3-1/2" Hollow Utility Rail**  
**Pcs/Pallet: 143**  
**AL - 6', 94", 8', 10', 16', 24' (WHITE & TAN)**  
**AL - 16' (ADOBE & GRAY)**  
**UT - 8', 12', 16' (WHITE & TAN)**  
**UT - 12' (ADOBE, SAND & ASH GRAY)**  
**FL - 6', 8' (Stocked in FL) (WHITE & TAN ONLY)**  
**TN - 6', 94", 8', 10', 16', 24' (WHITE & TAN)**  
**TN - 16' (ADOBE)**

- F24C (0.120 Wall)**  
**2"x3-1/2" Hollow Standard Rail**  
**Pcs/Pallet: 143**  
**AL - 6', 8', 16', 24' (WHITE, TAN)**  
**UT - 6', 8', 12', 16' (WHITE, TAN)**  
**TN - 6', 8', 16', 24' (WHITE, TAN)**

**F24E HOMEWOOD  
 OPTIONS NOTAVAILABLE  
 IN 3RD QUARTER**



F35C - Adobe Is Available - See Page 4 & 5

### 3-1/2" GORILLA® T-RAIL

- F35C (0.090 wall)**  
**3-1/2" Gorilla® T-Rail**  
**Pcs/Pallet: 90**  
**AL - 6', 8', 10', 16' (WHITE & TAN ONLY)**  
**AL - 16' (ADOBE)**  
**TN - 6', 8', 10', 16' (WHITE & TAN ONLY)**  
**TN - 16' (ADOBE)**

**F35C HOMEWOOD OPTIONS NOT  
 AVAILABLE IN 3RD QUARTER**

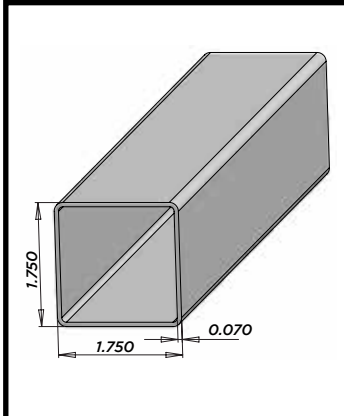
Availability, specification and profile dimensions are subject to change without notice. Check with manufacturer before ordering.  
 All dimensions are subject to manufacturer's tolerances.  
 \*Limited availability, Check with customer service.

# PICKETS

## PROFILES

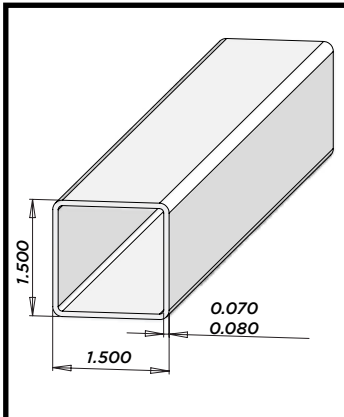


# FENCE/GUARD RAIL SMALL PICKETS



## 1-3/4" X 1-3/4" STANDARD PICKETS

**F41S (0.070 Wall)**  
**1-3/4" x 1-3/4" Standard Pickets**  
**Pcs/Pallet: 312**  
**AL - 16' (WHITE & TAN ONLY)**



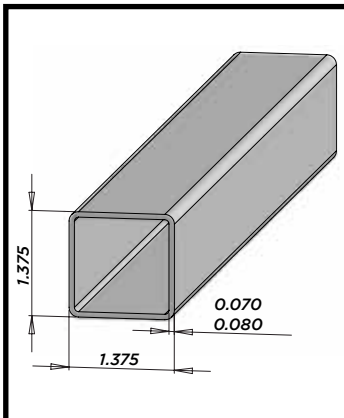
## 1-1/2" X 1-1/2" STANDARD PICKETS

**F42S (0.070 Wall)**  
**1-1/2" x 1-1/2" Standard Pickets**  
**Pcs/Pallet: 450 pcs. (Other Sizes 900)**

**AL - 16' (Stocked in AL) (WHITE, TAN & ADOBE)**  
**TN - 30-1/2", 31", 32", 38", 43-1/8",**  
**10', 12', 16' (WHITE & TAN)**  
**TN - 16' (ADOBE)**  
**UT - 16' (Stocked In UT) (WHITE, TAN & ADOBE)**  
**FL - 16' (Stocked in FL) (WHITE & TAN ONLY)**

F42S - Adobe Is Available - See Page 4 & 5

**F42S HOMEWOOD OPTIONS NOT  
AVAILABLE IN 3RD QUARTER**



## 1-3/8" X 1-3/8" STANDARD PICKETS

**F43C (0.070 Wall)**  
**1-3/8" x 1-3/8" Standard Pickets**  
**Pcs/Pallet: 330 pcs. (Other Sizes 600)**

**AL - 16' (Stocked In AL) (WHITE, TAN & ADOBE)**  
**TN - 31-3/4", 32", 32-1/2", 38",**  
**38-1/2", 16' (WHITE, TAN & ADOBE)**  
**UT - 16' (Stocked In UT) (WHITE, TAN & ADOBE)**

F43C - Adobe Is Available - See Page 4 & 5

**F43C HOMEWOOD OPTIONS NOT  
AVAILABLE IN 3RD QUARTER**

Availability, specification and profile dimensions are subject to change without notice. Check with manufacturer before ordering.  
 All dimensions are subject to manufacturer's tolerances. Gorilla® is a registered trademark of Homeland Vinyl Products, Inc.  
 \*Limited availability, Check with customer service.  
 \*\*Only runs once or twice yearly.

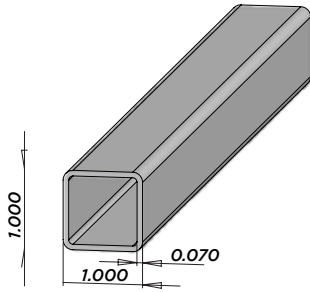
HOMELAND VINYL PRODUCTS, Inc.

21-201- M1135-21MM

Homeland Profiles: 800.999.6813 | www.Homelandvinyl.com | Waymark Accessories: 877-652-6118

# FENCE/GUARD RAIL SMALL PICKETS

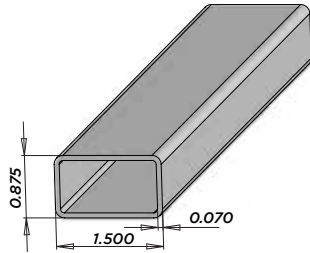
## 1" X 1" STANDARD PICKETS



**F45S (0.070 Wall)**  
**1" x 1" Standard Pickets**  
**Pcs/Pallet: 450**  
**AL - 16' (WHITE, TAN & ADOBE)**  
**UT - 16' (Stocked in UT, White and Tan) (WHITE & TAN ONLY)**

F45S - Adobe Is Available -  
 See Page 4 & 5

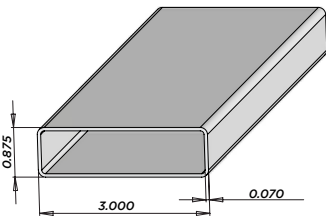
## 7/8" X 1-1/2" STANDARD PICKETS



**F65S (0.070 Wall)**  
**7/8" x 1-1/2" Standard Pickets**  
**Pcs/Pallet: 942 (16', 402 pcs.)**  
**AL - 32", 16' (WHITE & TAN ONLY)**  
**AL - 16' (ADOBE)**  
**NJ - 16' \* (WHITE & TAN ONLY)**  
**UT - 31-3/4", 33", 16' (Stocked In UT) (WHITE & TAN)**  
**UT - 16' (Stocked In UT) (ADOBE)**  
**FL - 16' Stocked in FL (WHITE & TAN ONLY)**  
**TN - 32", 16' (WHITE & TAN ONLY)**  
**TN - 16' (ADOBE)**

F65S - Adobe Is Available -  
 See Page 4 & 5

## 7/8" X 3" STANDARD PICKETS



**F57C (0.070 Wall)**  
**7/8" X 3" Standard Pickets**  
**Pcs/Pallet: 355**  
**AL - 16' (Stocked in AL) (WHITE, TAN & ADOBE)**  
**UT - 16' (WHITE, TAN & ADOBE)**  
**TN - 44", 45-7/8", 12', 16' (WHITE & TAN)**  
**TN - 16' (ADOBE)**

F57C - Adobe Is Available - See Page 4 & 5

**F57C HOMEWOOD OPTIONS NOT  
 AVAILABLE IN 3RD QUARTER**

Availability, specification and profile dimensions are subject to change without notice. Check with manufacturer before ordering.

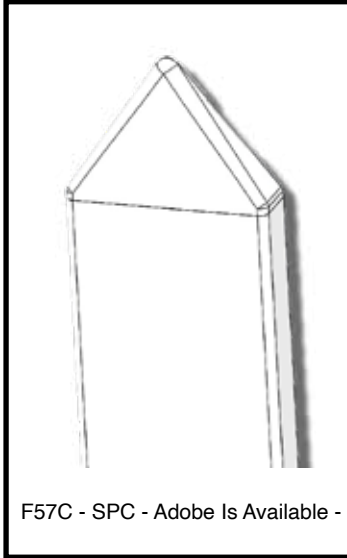
All dimensions are subject to manufacturer's tolerances.

\*Limited availability, Check with customer service.

\*\*Only runs once or twice yearly.

# FENCE/GUARD RAIL

## SMALL PICKETS, RAILS

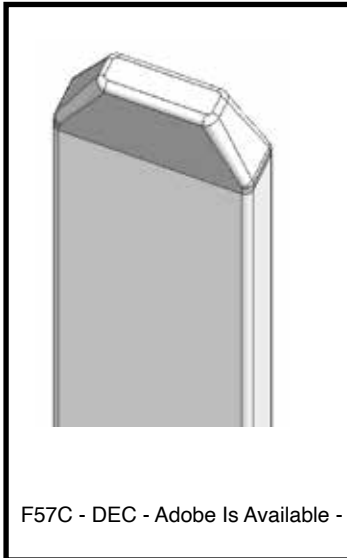


### 7/8" X 3" SPADE PICKET

**F57C-SPC**  
 7/8" X 3" Standard Picket  
 welded to spade cap

**Pcs/Pallet: 355**  
 TN - 44" (Extrusion) + Welded Spade Cap (WHITE & TAN)  
 45-7/8" (Extrusion) + Welded Spade Cap (WHITE, TAN & ADOBE)  
 56" (Extrusion) + Welded Spade Cap (WHITE & TAN)  
 68" (Extrusion) + Welded Spade Cap (WHITE & TAN)

F57C - SPC - Adobe Is Available - See Page 4

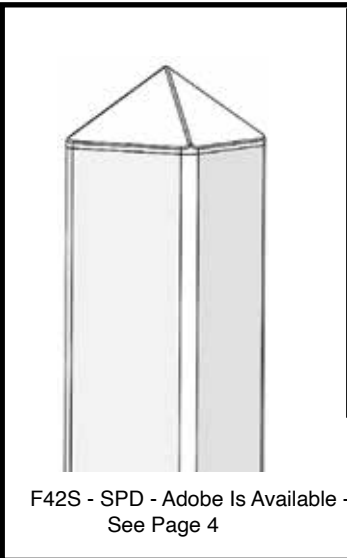


### 7/8" X 3" DOG EAR PICKET

**F57C-DEC**  
 7/8" X 3" Standard Picket  
 welded to dog ear Cap

**Pcs/Pallet: 355**  
 TN - 44" (Extrusion) + Welded Dog Ear Cap (WHITE & TAN)  
 45-7/8" (Extrusion) + Welded Dog Ear Cap (WHITE, TAN & ADOBE)  
 56" (Extrusion) + Welded Dog Ear Cap (WHITE & TAN)  
 68" (Extrusion) + Welded Dog Ear Cap (WHITE & TAN)

F57C - DEC - Adobe Is Available - See Page 4



### 1-1/2" X 1-1/2" SHARP PICKET

**F42S-SPD**  
 1-1/2" X 1-1/2" Standard Picket  
 welded to Sharp Cap

**Pcs/Pallet: 900**  
 TN - 44" (Extrusion) + Welded Sharp Cap (WHITE & TAN)  
 45-7/8" (Extrusion) + Welded Sharp Cap (WHITE, TAN & ADOBE)  
 56" (Extrusion) + Welded Sharp Cap (WHITE & TAN)  
 68" (Extrusion) + Welded Sharp Cap (WHITE & TAN)

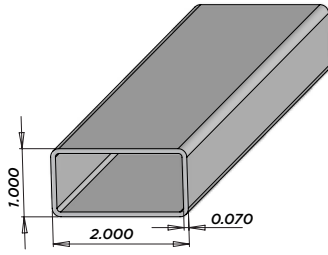
F42S - SPD - Adobe Is Available - See Page 4

Availability, specification and profile dimensions are subject to change without notice. Check with manufacturer before ordering.  
 All dimensions are subject to manufacturer's tolerances.  
 \*Limited availability, Check with customer service.  
 \*\*Only runs once or twice yearly.

# FENCE/GUARD RAIL

## SMALL PICKETS, RAILS

### 1" X 2" STANDARD PICKETS



**F48S (0.070 Wall)**  
**1" x 2" Standard Pickets**  
**Pcs/Pallet: 270**  
**AL - 16' (WHITE, TAN & ADOBE)**

**F48S LIMITED AVAILABILITY.**  
**RUN ONLY ONCE OR TWICE**  
**YEARLY.**

F48S - Adobe Is Available -  
See Page 4 & 5

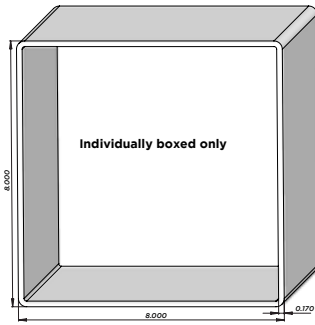




# GORILLA® POSTS

## POSTS

### 8" X 8" STANDARD POST



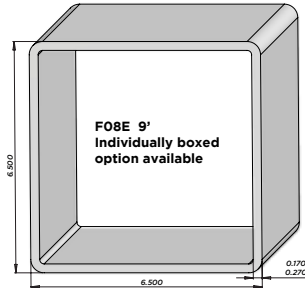
**F06C (0.170 wall)**  
**8" x 8" Standard Post**  
**Pcs/Box: 1**  
**Boxes/Skids: 10**  
**Refer to Commodity Sheet for Box Costs.**  
**SOLD IN SKID BOX QUANTITIES ONLY**

**AL - 9' (WHITE)**  
**AL - 9' (TAN & ADOBE - LIMITED RUN)**

**F06C LIMITED AVAILABILITY.**  
**RUN ONLY ONCE OR TWICE**  
**YEARLY.**

F06C - Adobe Is Available -  
 See Page 4 & 5

### 6-1/2" X 6-1/2" POST (& GORILLA® POST)



**F08S (0.270 wall) 6-1/2" x 6-1/2"**  
**Gorilla® Post**  
**Pcs/Pallet: 21**

**AL - 9', 16' (WHITE)**  
**AL - 9', 16' (TAN & ADOBE - LIMITED RUN)**

**F08S LIMITED AVAILABILITY.**  
**RUN ONLY ONCE OR TWICE**  
**YEARLY.**

**F08E (0.170 wall) 6-1/2" x 6-1/2" Post**  
**Pcs/Pallet: 49**  
**(24', 21 pcs.)**

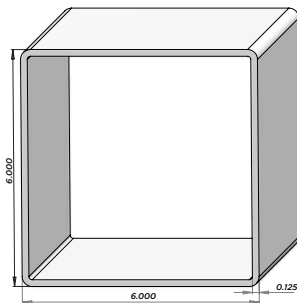
**AL - 9', 10', 12' (WHITE)**  
**AL - 9', 10', 12' (TAN & ADOBE - LIMITED RUN)**

**F08E LIMITED AVAILABILITY.**  
**RUN ONLY ONCE OR TWICE**  
**YEARLY.**

**Boxed Option for F08E:**  
**Pcs/Box: 1 Boxes/Skids: 20**  
**Refer to Commodity Sheet for**  
**Box Costs.**  
**SOLD IN SKID QUANTITIES ONLY**

F08S - Adobe Is Available -  
 See Page 4 & 5  
 F08E - Adobe Is Available -  
 See Page 4 & 5

### 6" X 6" STANDARD POST



**F09C (0.125 wall)**  
**6" x 6" Standard Post**  
**Pcs/Pallet: 32**

**AL - 9', 10', 12', 16' (WHITE)**  
**AL - 9', 16' (TAN & ADOBE - LIMITED RUN)**

**Bagging options available at extra**  
**cost for F09C - 6" x 6" standard**  
**post for truckload quantities from**  
**Alabama Location only.**

F09C - Adobe Is Available -  
 See Page 4 & 5

**Bagging options available for 6"x6", 5"x5", and 4"x4" in truck load quantities. See Made To Order Guidelines.**

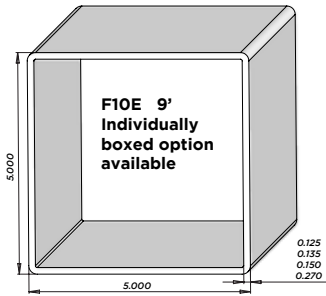
**Availability, specification and profile dimensions are subject to change without notice. Check with manufacturer before ordering.**

**All dimensions are subject to manufacturer's tolerances. Gorilla® is a registered trademark of Homeland Vinyl Products, Inc.**

**\*\*Only runs once or twice yearly.**

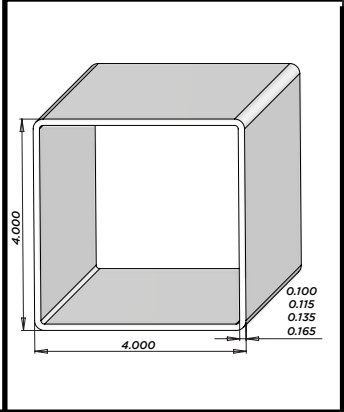
# GORILLA® POSTS

## POSTS

	<b>5" X 5" (GORILLA®, STANDARD, UTILITY, RANCH) POST</b>	
	<p><b>F10K (0.270 wall)</b>  <b>5" x 5" Gorilla® Post</b>  <b>Pcs/Pallet: 36 (16' &amp; Over - 36 pcs)</b>  <b>AL - 9', 16', 24' (WHITE &amp; TAN ONLY)</b>  <b>NJ - 9' (Stocked In NJ - WHITE)</b></p> <hr/> <p><b>F10C (0.150 wall)</b>  <b>5" x 5" Standard Post</b>  <b>Pcs/Pallet: 81 (16' &amp; Over - 36 pcs)</b></p> <p><b>AL - 9', 16', 24' (WHITE ONLY)</b>  <b>AL - 9', 16' (TAN ONLY)</b></p> <p><b>NJ - 9' (WHITE ONLY)</b></p> <p><b>UT - 8', 16' (WHITE ONLY)</b>  <b>UT - 16' (TAN ONLY)</b></p> <p><b>FL - 8', 9' (WHITE ONLY)</b></p> <p><b>TX - 6'6", 7', 8', 9', 16' (WHITE ONLY)</b></p>	<p><b>F10E (0.135 wall)</b>  <b>5" x 5" Utility Post</b>  <b>Pcs/Pallet: 81 (16' &amp; Over - 36 pcs)</b></p> <p><b>AL - 7', 8', 8'6", 9', 12', 16', 24' (WHITE &amp; TAN)</b>  <b>AL - 9', 16' (ADOBE &amp; GRAY)</b></p> <p><b>NJ - 7', 8', 9', 16', 24' (WHITE &amp; TAN ONLY)</b></p> <p><b>UT - 6', 6'6", 7'6", 8', 9', 16' (WHITE &amp; TAN)</b>  <b>UT - 8', 16' (ADOBE &amp; SAND)</b></p> <p><b>FL - 8', 8'6", 9', 12' (WHITE &amp; TAN ONLY)</b></p> <p><b>TX - 6'6", 7', 8', 9' (WHITE ONLY)</b></p> <div style="border: 1px solid black; padding: 5px; margin-top: 10px;"> <p><b>Boxed Option for F10E:</b>  <b>Pcs/Box: 1 Boxes/Skids: 20</b>  <b>Refer to Commodity Sheet for Box Costs.</b>  <b>SOLD IN SKID QUANTITIES ONLY</b></p> </div>
<p>F10E - Adobe Is Available - See Page 4 &amp; 5</p>	<b>F10C HOMEWOOD OPTIONS NOT AVAILABLE IN 3RD QUARTER</b>	
<p><b>F10M</b>  <b>5" x 5" Economy Post (Color Inside)</b>  <b>Pcs/Pallet: 81</b>  <b>FL - 8'6", 9' (Blanks Only) (WHITE &amp; TAN ONLY)</b></p>	<p><b>F10J (0.125 wall)</b>  <b>5" x 5" Utility Ranch Post (Color Inside)</b>  <b>Pcs/Pallet: 81</b>  <b>AL - 5', 6'6", 7' (WHITE &amp; TAN ONLY)</b>  <b>UT - 5', 6'6", 7' (WHITE &amp; TAN ONLY)</b>  <b>TX - 5', 6'6", 7' (WHITE ONLY)</b></p>	

Bagging options available for 6"x6", 5"x5", and 4"x4" in truck load quantities. See Made To Order Guidelines. Availability, specification and profile dimensions are subject to change without notice. Check with manufacturer before ordering. All dimensions are subject to manufacturer's tolerances. Gorilla® is a registered trademark of Homeland Vinyl Products, Inc. \*Limited availability, Check with customer service.

**GORILLA® POSTS**  
**POSTS**



**4" X 4" (GORILLA®, STANDARD, UTILITY, VALUE) POST**

**F12C (0.165 wall)**  
**4" x 4" Gorilla® Post**  
**Pcs/Pallet: 121 (16' & Over - 55 pcs.)**

**AL - 9', 16', 24' (WHITE & TAN)**  
**AL - 16' (ADOBE)**

**UT - 39", 45", 16' (WHITE & TAN)**  
**UT - 16' (ADOBE)**

**TN - 9', 16', 24' (WHITE & TAN)**  
**TN - 16' (ADOBE)**

**F12V (0.100 wall)**  
**4" x 4" Value Post**  
**(Color Inside)**  
**Pcs/Pallet: 121**

**AL - 39", 48", 8' (WHITE & TAN)**  
**AL - 8' (ADOBE)**

**TN - 39", 48", 8' (WHITE & TAN)**  
**TN - 8' (ADOBE)**

**F12N (0.135 wall)**  
**4" x 4" Standard Post**  
**Pcs/Pallet: 121 (16' & Over - 55 pcs.)**

**AL - 6', 7', 9', 16', 24' (WHITE & TAN)**  
**AL - 16' (ADOBE)**

**UT - 6', 16' (WHITE & TAN)**  
**UT - 16' (ADOBE)**

**TN - 6', 7', 9', 16', 24' (WHITE & TAN)**  
**TN - 16' (ADOBE)**

**F12E (0.115 wall)**  
**4" x 4" Utility Post**  
**Pcs/Pallet: 121 (16' & Over - 55 pcs.)**

**AL - 39", 48", 6', 7', 8', 98", 9', 10', 16', 24' (WHITE & TAN)**  
**AL - 9', 16' (ADOBE)**

**TN - 39", 48", 6', 7', 8', 98", 9', 16', 24' (WHITE & TAN)**  
**TN - 9', 16' (ADOBE)**

**UT - 16' (WHITE & TAN)**

**FL - 6', 7' (Stocked in FL)**  
**(WHITE & TAN ONLY)**

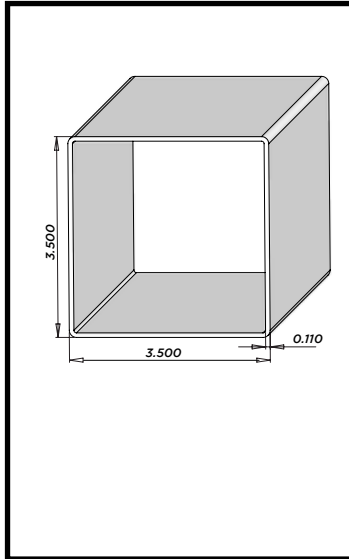
Bagging options available at extra cost for F12E - 4" x 4" utility post for truckload quantities.

F12 - Adobe Is Available - See Page 4 & 5

**F12N HOMEWOOD OPTIONS NOT AVAILABLE IN 3RD QUARTER**

# GORILLA® POSTS

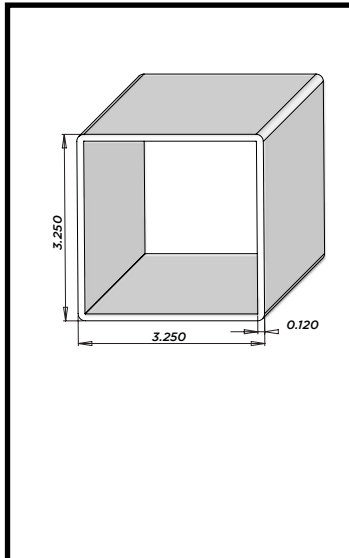
## POSTS



### 3-1/2" X 3-1/2" UTILITY POST

**F13E (0.110 wall)**  
**3-1/2" x 3-1/2" Utility Post**  
**Pcs/Pallet: 156 (16' & Over - 78 pcs.)**  
**AL - 16' (WHITE & TAN ONLY)**

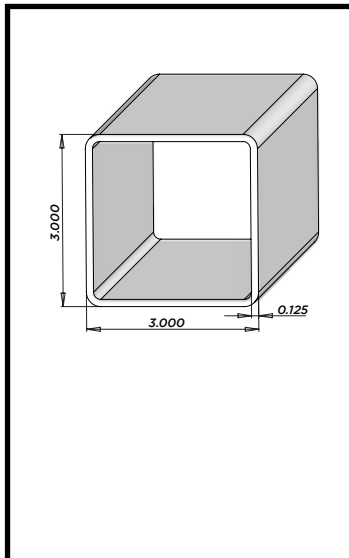
**F13E LIMITED AVAILABILITY.**  
**RUN ONLY ONCE OR TWICE**  
**YEARLY.**



### 3-1/4" X 3-1/4" STANDARD POST

**F15S (0.120 wall)**  
**3-1/4" x 3-1/4" Standard Post**  
**Pcs/Pallet: 98**  
**AL - 16' (WHITE & TAN ONLY)**

**F15S LIMITED AVAILABILITY.**  
**RUN ONLY ONCE OR TWICE**  
**YEARLY.**



### 3" X 3" CO-EX STANDARD POST

**F14C (0.125 wall)**  
**3" x 3" Co-Ex Standard Post**  
**Pcs/Pallet: 120**  
**AL - 16', 24' (WHITE & TAN ONLY)**

**F14C LIMITED AVAILABILITY.**  
**RUN ONLY ONCE OR TWICE**  
**YEARLY.**

Bagging options available for 6"x6", 5"x5", and 4"x4" in truck load quantities. See Made To Order Guidelines.  
 Availability, specification and profile dimensions are subject to change without notice. Check with manufacturer before ordering.  
 All dimensions are subject to manufacturer's tolerances. Gorilla® is a registered trademark of Homeland Vinyl Products, Inc.  
 \*\*Only runs once or twice yearly.

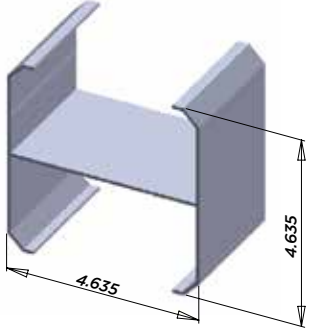
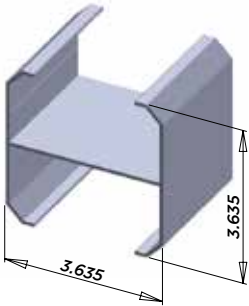
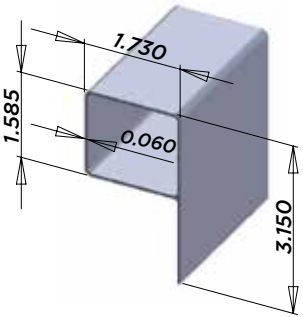
MATCH • PERFECT FIT & MATCH • PERFECT FIT & MATCH • PERFECT  
CT FIT & MATCH • PERFECT FIT & MATCH • PERFECT FIT & MATCH •  
FIT & MATCH • PERFECT FIT & MATCH • PERFECT FIT & MATCH • PE  
CH • PERFECT FIT & MATCH • PERFECT FIT & MATCH • PERFECT FIT  
MATCH • PERFECT FIT & MATCH • PERFECT FIT & MATCH • PERFECT  
CT FIT & MATCH • PERFECT FIT & MATCH • PERFECT FIT & MATCH •

# INSERTS

MATCH • PERFECT FIT & MATCH • PERFECT FIT & MATCH • PERFECT  
CT FIT & MATCH • PERFECT FIT & MATCH • PERFECT FIT & MATCH •  
FIT & MATCH • PERFECT FIT & MATCH • PERFECT FIT & MATCH • PE  
CH • PERFECT FIT & MATCH • PERFECT FIT & MATCH • PERFECT FIT  
MATCH • PERFECT FIT & MATCH • PERFECT FIT & MATCH • PERFECT  
CT FIT & MATCH • PERFECT FIT & MATCH • PERFECT FIT & MATCH •  
MATCH • PERFECT FIT & MATCH • PERFECT FIT & MATCH • PERFECT  
CT FIT & MATCH • PERFECT FIT & MATCH • PERFECT FIT & MATCH •  
FIT & MATCH • PERFECT FIT & MATCH • PERFECT FIT & MATCH • PE  
CH • PERFECT FIT & MATCH • PERFECT FIT & MATCH • PERFECT FIT  
MATCH • PERFECT FIT & MATCH • PERFECT FIT & MATCH • PERFECT  
CT FIT & MATCH • PERFECT FIT & MATCH • PERFECT FIT & MATCH •  
MATCH • PERFECT FIT & MATCH • PERFECT FIT & MATCH • PERFECT  
CT FIT & MATCH • PERFECT FIT & MATCH • PERFECT FIT & MATCH •  
FIT & MATCH • PERFECT FIT & MATCH • PERFECT FIT & MATCH • PE  
CH • PERFECT FIT & MATCH • PERFECT FIT & MATCH • PERFECT FIT  
MATCH • PERFECT FIT & MATCH • PERFECT FIT & MATCH • PERFECT  
CT FIT & MATCH • PERFECT FIT & MATCH • PERFECT FIT & MATCH •

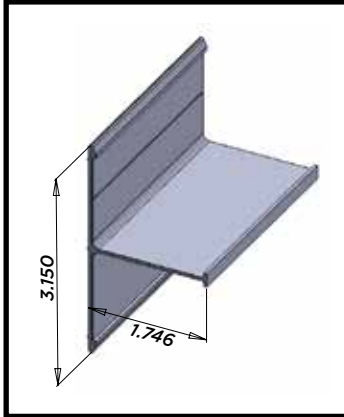


# INSERT STIFFENER ALUMINUM INSERT

	<p><b>5" X 5" ALUMINUM INSERT</b></p> <p><b>G10HA288-69243</b> 5" x 5"</p> <p><b>24' Lengths Per Piece</b></p>
	<p><b>4" X 4" ALUMINUM INSERT</b></p> <p><b>G12HA288-69312</b> 4" x 4"</p> <p><b>24' Lengths Per Piece</b></p>
	<p><b>2" X 3-1/2" &amp; T-RAIL</b></p> <p><b>G24PA288-69227</b> 2" x 3-1/2" &amp; T-Rail</p> <p><b>24' Lengths 120 Pieces per Bundle</b></p>

Availability, specification and profile dimensions are subject to change without notice. Check with manufacturer before ordering. All dimensions are subject to manufacturer's tolerances.

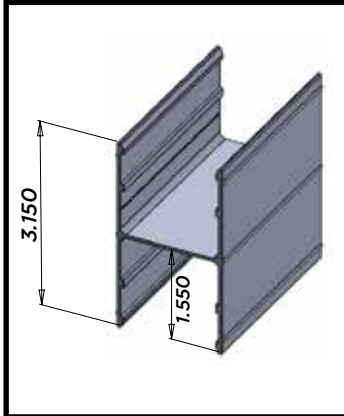
# INSERT STIFFENER ALUMINUM INSERT



## T-BOTTOM RAIL

**G24TA096-55028**  
T-Bottom Rail

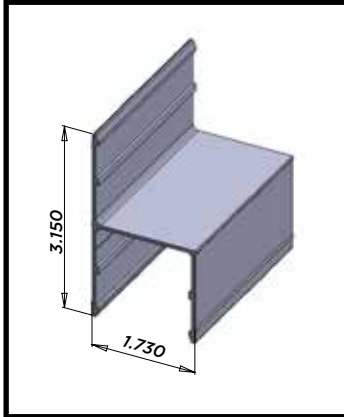
**72", 96" Lengths**  
For bottom rail only  
120 Pieces per Bundle



## H-RAIL - ALUMINUM INSERT

**G24HA096-55026**  
H-Rail

**96" Lengths**  
For top rail only  
120 Pieces per Bundle



## SMALL H - ALUMINUM INSERT

**G24hA072-55027**  
Small h

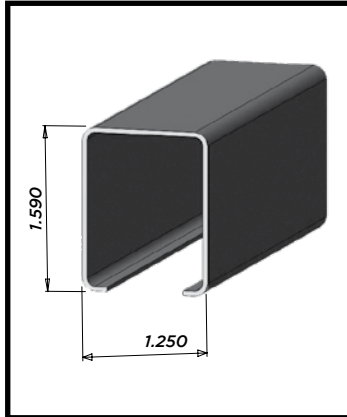
**72" Lengths**  
For top rail only  
120 Pieces per Bundle

Availability, specification and profile dimensions are subject to change without notice. Check with manufacturer before ordering.  
All dimensions are subject to manufacturer's tolerances.



# INSERT STIFFENER

## ALUMINUM INSERTS, STEEL INSERTS

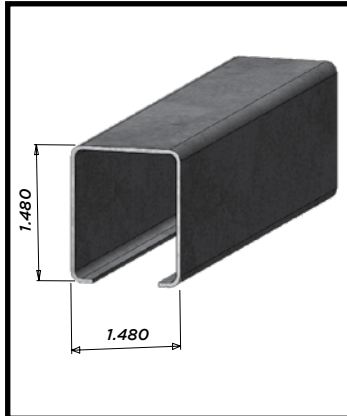


### 1-1/2" STEEL INSERT - POCKET RAIL

**G3RFH121-18**  
**1-1/2" Steel Insert - Pocket Rail**  
**18 Gage**  
**400 Pieces Per Bundle**

**AL- 93" (G3RFH121-18-93)**  
**NJ- 93" (G3RFH121-18-93)**  
**UT- 71" (G3RFH121-18-71)**

Used with:  
**1-1/2" x 5-1/2" Pocket Rail**

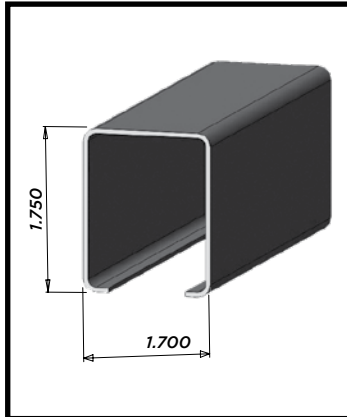


### 1-3/4" STEEL INSERT

**G3RFM147-18**  
**1-3/4" Steel Insert**  
**18 Gage**  
**400 Pieces Per Bundle**

**AL- 93" (G3RFM147-18-93)**  
**NJ- 93" (G3RFM147-18-93)**  
**UT- 71" (G3RFM147-18-71)**

Used with:  
**1-3/4" x 5-1/2" Pocket Rail**

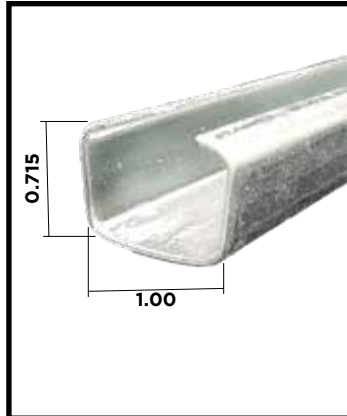


### 2" STEEL INSERT - 2" RAIL

**G3RFH148-18**  
**2" Steel Insert - 2" Rail**  
**18 Gage**  
**400 Pieces Per Bundle**

**AL- 93" (G3RFH148-18-93)**  
**NJ- 93" (G3RFH148-18-93)**  
**UT- 71" (G3RFH148-18-71)**

Used with:  
**2" x 7" Pocket Rail**



### 1" STEEL T&G INSERT

**G3RFP255U**  
**1" Steel T&G Insert**  
**18 Gage**  
**200 Pieces Per Bundled**

**AL- 62" (G3RFP255U-62)**  
**68-3/4" (G3RFP255U-68C)**  
**UT- 60" (G3RFP255U-60)**  
**68-3/4" (G3RFP255U-68C)**

Availability and profile dimensions are subject to change without notice. Check with manufacturer before ordering.  
 All dimensions are subject to manufacturer's tolerances.

INDEX

Product and Descriptions ..... Part # ..... Page #

**GATE BRACE, FENCE/SPECIALTY PRODUCT - PAGE 16**

Gate Support Brace..... F86S ..... 16

**GORILLA® FENCE, PRIVACY FENCE - PAGE 17**

5" x 5" Gorilla® H-Post ..... FTG1 ..... 17

1-1/2 Gorilla® Post Insert..... FTG2 ..... 17

1-3/4 Gorilla® Fence U-Channel ..... FTG3 ..... 17

**GORILLA® PICKET CHANNEL, FENCE/SPECIALTY PRODUCT - PAGE 15**

Gorilla® Picket Channel ..... FTG4..... 15

**HANDRAILING, GORILLA® GUARD RAIL - PAGES 18-19**

2" x 3-1/2" Hollow Utility Rail ..... F24E ..... 19

2" x 3-1/2" Hollow Standard Rail..... F24C ..... 19

3-1/2" Gorilla® T-Rail ..... F35C ..... 19

**INSERTS, ALUMINUM & STEEL STIFFENERS - PAGES 30-33**

5" x 5" Aluminum Insert..... G10HA288-69243 ..... 31

4" x 4" Aluminum Insert..... G12HA288-69312 ..... 31

2" X 3-1/2" & T-Rail..... G24PA288-69227 ..... 31

T-Bottom Rail Insert..... G24TA096-55028 ..... 32

H-Rail - Aluminum Insert..... G24HA096-55026 ..... 32

Small H - Aluminum Insert..... G24hA072-55027 ..... 32

1-1/2" Steel Insert - Pocket Rail..... G3RFH121-18 ..... 33

1-3/4" Steel Insert..... G3RFM147-18 ..... 33

2" Steel Insert - 2" Rail ..... G3RFH148-18 ..... 33

1" Steel T&G Insert..... G3RFP255U ..... 33

**LATTICE CHANNEL, FENCE/SPECIALTY PRODUCT - PAGE 16**

3/4" Lattice Channel ..... F89S ..... 16

**PICKETS - PAGES 20-24**

1-3/4" x 1-3/4" Standard Pickets..... F41S ..... 21

1-1/2" x 1-1/2" Standard Pickets..... F42S ..... 21

1-3/8" x 1-3/8" Standard Pickets..... F43C ..... 21

1" x 1" Standard Pickets..... F45S ..... 22

7/8" x 1-1/2" Standard Pickets..... F65S ..... 22

7/8" x 3" Standard Pickets..... F57C ..... 22

7/8" x 3" Spade Picket..... F57C-SPC ..... 23

7/8" x 3" Dog Ear Picket..... F57C-DEC ..... 23

1-1/2" x 1-1/2" Standard Pickets..... F42S-SPD ..... 23

1" x 2" Standard Pickets..... F48S ..... 24

2" x 3-1/2" Hollow Utility Rail ..... F24E ..... 24

2" x 3-1/2" Hollow Standard Rail..... F24C ..... 24

Product and Descriptions ..... Part # ..... Page #

**POCKET RAILS, PRIVACY FENCE - PAGES 9-10**

2"x 8" Nexus® Pocket Rail ..... F3P8 ..... 9

1-1/2" x 8" Gorilla® Pocket Rail ..... F3P1 ..... 9

2" x 7" Keystone West Pocket Rail ..... FKW7..... 9

2" x 7" Keystoe East Pocket Rail ..... FKE7..... 9

1-3/4" x 5-1/2" Nexus® Mid-Rail ..... F3PM ..... 10

1-3/4" x 5-1/2" Nexus® Pocket Rail..... F3P5 ..... 10

1-1/2" x 5-1/2" Gorilla® Pocket Rail..... F32G..... 10

**POSTS, GORILLA® POSTS - PAGES 25-29**

8" x 8" Standard Post ..... F06C ..... 26

6-1/2" x 6-1/2" Gorilla® Post..... F08S ..... 26

6-1/2" x 6-1/2" Post..... F08E ..... 26

6" x 6" Standard Post..... F09C ..... 26

5" x 5" Gorilla® Post..... F10K ..... 27

5" x 5" Standard Post..... F10C ..... 27

5" x 5" Utility Post ..... F10E ..... 27

5" x 5" Utility Ranch Post..... F10J ..... 27

5" x 5" Economy Post..... F10M ..... 27

4" x 4" Gorilla® Post..... F12C ..... 28

4" x 4" Standard Post..... F12N ..... 28

4" x 4" Utility Post..... F12E ..... 28

4" x 4" Value Post ..... F12V ..... 28

3-1/2" x 3-1/2" Utility Post..... F13E ..... 29

3-1/4" x 3-1/4" Standard Post..... F15S ..... 29

3" x 3" Co-Ex Standard Post..... F14C ..... 29

**PRIVACY PICKETS, PRIVACY FENCE - PAGES 11-12**

7/8" x 11.3" Gorilla® T&G ..... F61S ..... 11

7/8" x 6" Gorilla® T&G..... F54G ..... 11

7/8" x 7" Gorilla® T&G..... F62S ..... 12

7/8" x 6" Ribbed Standard ..... F56R ..... 12

**RAILS, FENCE - PAGES 13-14**

2"x 8" Ribbed Rail ..... F20R ..... 13

2" x 8" Hollow Rail ..... F20S ..... 13

2"x 6" Hollow Rail ..... F22E ..... 13

2"x 6" Ribbed Rail ..... F22C ..... 14

1-1/2" x 5-1/2" Ribbed Utility Rail ..... F27E ..... 14

1-1/2" x 5-1/2" Utility Value Rail..... F27M..... 14

1-3/4" x 3-1/2" Hollow Standard Rail .... F25B ..... 14

**TRIM CHANNEL, FENCE/SPECIALTY PRODUCT - PAGE 15**

7/8" Trim Channel..... F83U ..... 15

**U-CHANNEL, FENCE/SPECIALTY PRODUCT - PAGE 15**

7/8" U-Channel Standard..... F83S ..... 15

NOTES:

Blank lines for notes.