



2026 CATALOG

PROFILES + EXTRUSIONS + INSERTS

Homeland: 800.999.6813 | www.Homelandvinyl.com

Updated 5-4-2026

26-124- M1116-26H

Table of Contents

3.....	Homeland Company Statement	17.....	Gorilla Guard Rail
4.....	Item Key Explanation	20.....	Pickets
4.....	Declaration of Principles	24.....	Gorilla Wrap
5.....	Made To Order (MTO) Program	26.....	Gorilla Posts
6.....	Homeland Best Practices	29.....	Gorilla Columns
7.....	Fence Profiles	30.....	Gorilla Deck®
	Pocket Rail	32.....	Gorilla Wood Deck/Fascia
	Privacy Pickets	33.....	Insert / Stiffeners
	Rails	37.....	Index
	U-Channel / Trim.....	38.....	Terms and Conditions
	Gate Brace		
	Gorilla Fence.....		

IMPORTANT NOTE FROM HOMELAND MANAGEMENT:

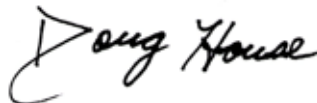
Navigate the Fence Industry with Homeland Vinyl

In these unprecedented turbulent times facing the fence industry, we're aggressively pivoting at every turn to support your success. Our array of 14 unique colors remains your competitive edge in meeting the most demands.

We're making bold moves—investing tens of millions in expanded material capacity and strategically adding staff dedicated to your business growth. This substantial commitment ensures you'll outpace competitors while others struggle with industry challenges.

Our continuously updated catalog at www.homelandvinyl.com reflects our relentless innovation during this market upheaval.

At Homeland Vinyl, we don't just weather the storm—we help you harness it. Together, with refined processes and decisive action, we're transforming industry obstacles into unparalleled opportunities for our valued partners.



HOMELAND VINYL

COMPANY STATEMENT

Homeland Vinyl Products, Inc. is dedicated to delivering high quality products and excellent service to our customers without exception. We understand the importance of our customers' success in the Fence, Deck, Railing and Outdoor Living Products markets. We value our relationships with our customers and pledge that we will operate at the highest level of integrity.

CUSTOMER ACCOUNTS

All sales are subject to Homeland's Terms and Conditions which are available at the end of this catalog and at www.homelandvinyl.com. Homeland Vinyl Products, Inc. only sells wholesale and all sales require establishing a Trade Account. Contact a Homeland Sales Representative about initiating the process for the establishment of a Trade Account with Homeland. Prices and terms are subject to change without notice.

LIMITED WARRANTY

Homeland warrants that the products we manufacture are free of defects in materials and workmanship as described in our published warranties. Products distributed by Homeland, but not manufactured by Homeland, are covered only under the original manufacturer's warranty. Additional warranty information is available at www.homelandvinyl.com.

TERMS AND CONDITIONS OF SALE ARE SPECIFIED WITH ORDER CONFIRMATION AND ATTACHED TO EVERY INVOICE.





At Your Finger Tips!

- Available on Apple or Android
- Download Catalogs, Warranties, Technical Data, Brochures, Flyers and more!
- View Colors & Photos
- View Products by Profiles
- View Install Diagrams
- Easy to use for Suppliers, Contractors and Homeowners!



ITEM KEY EXPLANATION

COLOR CODES

Light Colors:	W - White, T - Tan, L - Light Gray
Medium Colors:	S - Sand, D - Adobe, A - Aspen Latte, G - Gray
Dark Colors:	F - Dark Gray, I - Chai Gray, H - Ash Gray, U - Green Teak, O - Mocha Walnut, K - Black, C - Chestnut (Decking Only),

INVENTORY CODES

F54U	W	064	346
Profile	Color	Length	Pieces
Code	Code	in Inches	per Bundle

Refer to profile sheet to obtain the profile code for the product you are ordering. Always review your order confirmation with descriptions to ensure order accuracy.

When ordering a length that is fractional, use the following list to determine the proper code for the length you require.

1/4" - A	1/2" - B	3/4" - C	1/8" - D
3/8" - E	5/8" - F	7/8" - G	11/16" - H

Example: 64-1/2" would be 64B

HOMWOOD VARIEGATED COLORS

Homeland's Homewood colors are variegated with irregular patterns and streaks. A randomized streaking process makes every piece different. Although each named Homewood color begins with a controlled base color, due to the randomness of the streakers, even the background color appearance will vary throughout and between runs. Please be aware of this before ordering and installing Homewood. Information and Best Practices for purchasing and installing Homewood colors can be found at: <http://homelandvinyl.com/HomewoodBP>

Declaration of Principles Fence, Deck, and Rail Business



Homeland Vinyl Products, Inc. is committed to the highest standards of quality in its Fence, Deck, and Rail business - both in the products it manufactures and the manner in which its business is conducted. Since Homeland's success is directly linked to the success of its customers, Homeland pledges to develop, fabricate and market innovative and successful Vinyl Fence, Deck, and Rail products.

Our commitment to our customers has three major components:

- Product Quality*
- Innovation and Leadership*
- Customer Service and Support*

Through quality, innovation, and an unwavering commitment to customer satisfaction, Homeland Vinyl Products, Inc. is building a secure and prosperous future for itself and its customers.

MADE TO ORDER “MTO” PROGRAM

Some profiles and lengths are only available as “Made To Order” (MTO) and will only be produced as can be reasonably accommodated. Typical requirements for MTO requests are listed below but are subject to change. All MTO requests are subject to a credit review, Customer Service approval, and Production acceptance.

MTO Classification

- I. **Special Lengths:**
Requires a 12 bundle minimum of one profile, one color, and only one length.
No stock. Must be authorized for shipment upon completion or will be invoiced. Twice yearly max.
- II. **Proprietary and Exclusivity Profiles:**
By special arrangement and typically run no more than once or twice a year.
Dependent upon volume orders. Must ship within 30 days of completion or will be invoiced. No stock.
- III. **Special and Low Volume Profiles:**
Typically run once or twice a year.
Standard lengths and colors only.
No special lengths.

Contact your Homeland representative for information on the MTO program. MTO item requests must be submitted in writing via e-mail or fax. Not all requests can be accommodated. Customer Account must be in good standing and current before MTO requests will be considered. MTO requests are not accepted until approved and confirmed in writing. Cash in Advance customers may be required to make payment at time of order acceptance. Once confirmed, the order cannot be canceled by customer. Orders must ship complete once ready, leaving no back-orders. Lead-times for MTO items cannot be estimated until requests have been approved and confirmed. MTO items may only be produced a very limited number of times per year. Please plan ahead and make any MTO requests as early as possible to take advantage of each production run on MTO profiles. Due to the infrequent running of MTO items, and depending on the item, it may be a number of weeks before an answer can be given on an MTO request. Minimum purchase quantity required of the same profile and color for all MTO items. Requirements may vary by profile. Homeland will try to accommodate reasonable requests, but MTO orders will ship and be invoiced shortly after completion. Except as otherwise noted here, Homeland’s Terms and Conditions apply to all MTO requests accepted as orders. Details and requirements of this program are subject to change without notice. Consult your Homeland representative for additional details.



Homeland Vinyl Products is the North American Leader in PVC Fence, Deck, and Rail. We take great pride in the products offered and our wide selection of colors, which is a better choice than wood or composites.

Homeland manufactures the toughest PVC profiles with the most advanced UV protection under the sun - our ACCU-Shield® formulation.

ACCU-Shield® is a protective outer layer engineered to significantly reduce oxidation and the damaging effects of the sun’s ultraviolet rays. Even in harsh and changing climates,

ACCU- Shield® protects the color and sheen of our products for a longer period.

Homeland not only provides the highest quality PVC fence, deck, and rail products you can buy, but also confidently backs our products with a limited Lifetime Warranty.

Homeland Vinyl has over a half-century of experience in PVC manufacturing, a proven quality control program, and a strong warranty. Homeland stands by our American-Made products and strives to provide the best performance and protection for your investment.

Homeland’s solid reputation and dedication to quality products is what you should demand.

HOMELAND FENCE BEST PRACTICES

Homeland offers 4 levels of Fence Colors:

WHITE

LIGHT: Tan, Light Gray

MEDIUM: Sand, Adobe, Aspen Latte, Gray

DARK: Dark Gray, Chai Gray, Ash Gray, Green Teak, Mocha Walnut

These guidelines are for all levels of fence colors, with additional guidelines added for Medium and Dark colors at the end.

Prior to installation, download and review Homeland Vinyl Products (HVP) Privacy and Gate Installation at: <http://homelandvinyl.com/resources/documents/>

All levels of color:

1. Avoid heat sources:
 - Do not use any clear wrapping or shrink wrap during storage or transportation. Make sure any wrap or protection of the profiles does not absorb and retain heat. It will cause warping.
 - Do not store or install product next to a heat source.
 - Avoid installing the product near reflective surfaces (e.g. glass windows and glass doors), which can concentrate sunlight and heat the product.
 - Avoid installing the product on or adjacent to materials that can radiate absorbed heat such as concrete, asphalt, or dark-colored gravel.
2. Make sure all metal stiffeners are in the correct orientation for the rail as used.
3. Make sure all rails are notched, pinned or plated.
4. U-channel trim must be secured with 3 screws to the post to help stabilize T&G boards. Please refer to the Privacy Fence Installation Guide for placement (Image C).
5. Product expansion and contraction is temperature dependent and will be more prominent in longer lengths and darker colors. Please take this into account during installation.
 - Make sure rail ends have at least 1 inch clearance of each other when inserted into posts for 6' spans, and at least 1.5 inch

Homeland Vinyl Products does not warranty bowing of pickets. Please make sure of proper installation to reduce all of the factors mentioned.

clearance on 8 foot spans. This will allow for adequate expansion and contraction of rails within the posts and prevent bowing.

- Make sure pickets are cut for adequate clearance within the rail pocket to allow for thermal expansion. If the pickets are binding against the rail, they will cause excessive bowing with thermal expansion.
- When dealing with installation on slopes, ensure that there is adequate clearance for pickets inside of the rail and cut picket at a slight angle if necessary.

6. Do not put dirt or mulch against rails. It could cause rails to permanently bow out.

In addition to guidelines 1-9, please consider the following information regarding HVP Medium and Dark colored products:

Medium Colors:

7. For horizontal privacy pannel installations, HVP approved metal picket stiffeners must be used to reduce T&G bowing. HVP approved metal stiffeners must be used in bottom rails.

Dark Colors:

8. Scratches will be more evident in darker colors. Use caution when transporting and installing the products.

9. HVP approved metal stiffeners must be used in all rails.

- For vertical privacy pannel installations, mid-rail or HVP approved metal picket stiffeners must be used to reduce T&G bowing.

- For horizontal privacy pannel installations, HVP approved metal picket stiffeners must be used to reduce T&G bowing. (Image D).

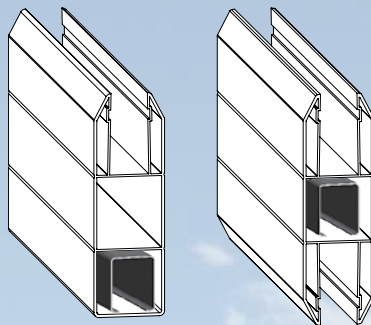
10. HVP does not recommend installing horizontal privacy pannel sections wider than 6' on center.

Homeland Vinyl Products does not warranty bowing of pickets or sagging rails. Please make sure of proper installation to reduce all of the factors mentioned.

Proper Reinforcement, Placement & Orientation Is Important !

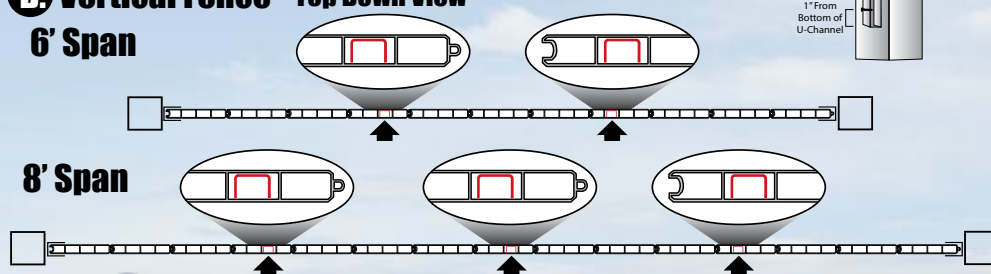
A. 5-1/2", 7" and 8" Nexus or Gorilla Pocket Rail & Mid-Rail

Proper steel insert orientation shown for bottom rail. Reverse for top rail.

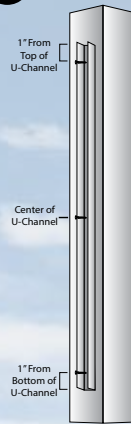


B. Vertical Fence - Top Down View 6' Span

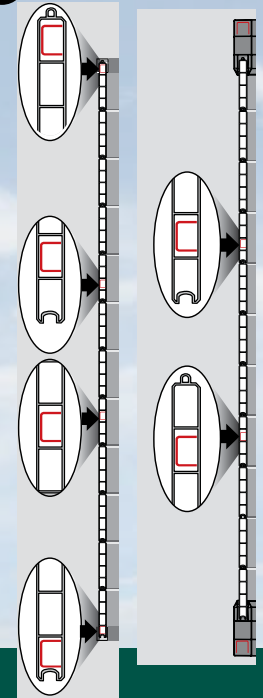
8' Span



C. U-Channel



D. Horizontal Fence

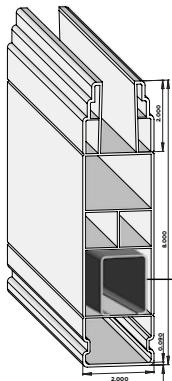


FENCE

Profiles



PRIVACY FENCE POCKET RAIL



Proper G3RFH148 steel insert orientation shown for bottom rail. Reverse for top rail.

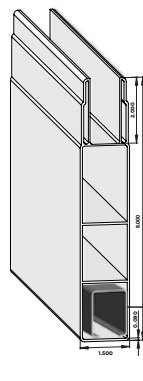
2" X 8" NEXUS® POCKET RAIL

W=White, T=Tan, D=Adobe

F3P8

2" x 8" Nexus® Pocket Rail
(7/8" x 2" Pocket)
Pcs/Pallet: 55
AL - 70", 94"

F3P8 LIMITED AVAILABILITY.
RUN ONLY ONCE OR TWICE
YEARLY.



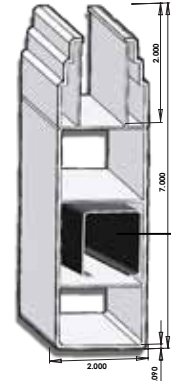
Proper G3RFH121 steel insert orientation shown for bottom rail. Reverse for top rail.

1-1/2" X 8" GORILLA® POCKET RAIL

W=White, T=Tan, D=Adobe

F3P1

1-1/2" x 8" Gorilla® Pocket Rail
(7/8" x 2" Pocket)
Pcs/Pallet: 72
UT - 71-1/2", 76", 83", 94", 16"



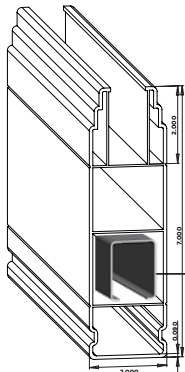
Proper G3RFH148 steel insert orientation shown for bottom rail. Reverse for top rail.

2" X 7" SUN POCKET RAIL

W=White, T=Tan, D=Adobe

FFS7

2" x 7" Sun Pocket Rail
(7/8" x 2" Pocket)
Pcs/Pallet: 66
AL - 94", 12', 16"
NJ - 94", 12', 16"



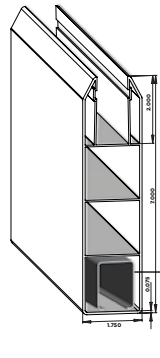
Proper G3RFH148 steel insert orientation shown for bottom rail. Reverse for top rail.

2" X 7" NEXUS® POCKET RAIL

W=White, T=Tan, D=Adobe,
F= Dark Gray (AL Only), L= Light Gray (AL Only)

F3P2

2" x 7" Nexus® Pocket Rail
(7/8" x 2" Pocket)
Pcs/Pallet: 66
AL - 70", 94", 16"
NJ - 70", 94", 16"



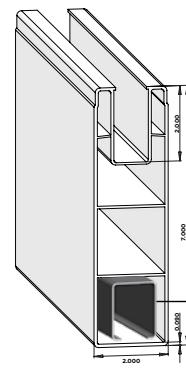
Proper G3RFM147 steel insert orientation shown for bottom rail. Reverse for top rail.

1-3/4" X 7" NEXUS® POCKET RAIL

W=White, T=Tan, D=Adobe

F3P7

1-3/4" x 7" Nexus® Pocket Rail
(7/8" x 2" Pocket)
Pcs/Pallet: 72
AL - 70", 94", 16"
FL - 70", 94" (Stocked in FL)
UT - 94"
NJ - 94" (Stocked in NJ)



Proper G3RFH148 steel insert orientation shown for bottom rail. Reverse for top rail.

2" X 7" GORILLA® POCKET RAIL

W=White, T=Tan, D=Adobe

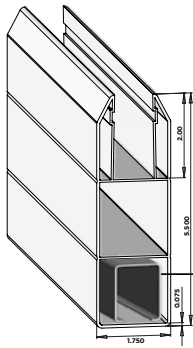
F3BF

2" x 7" Gorilla® Pocket Rail
(7/8" x 2" Pocket)
Pcs/Pallet: 66
NJ - MTO

F3BF LIMITED AVAILABILITY.
RUN ONLY ONCE OR TWICE
YEARLY.

Availability and profile dimensions are subject to change without notice. Check with manufacturer before ordering. All dimensions are subject to manufacturer's tolerances. Nexus is a registered trademark of Homeland Vinyl Products, Inc. Gorilla is a registered trademark of Homeland Vinyl Products, Inc.

PRIVACY FENCE POCKET RAIL



Proper G3RFM147 steel insert orientation shown for bottom rail. Reverse for top rail.

1-3/4" X 5-1/2" NEXUS® POCKET RAIL

W=White, T=Tan, D=Adobe,
F= Dark Gray (AL Only), L= Light Gray (AL Only)

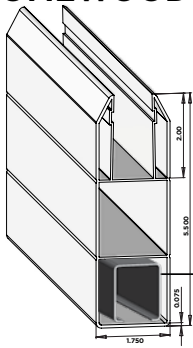
F3P5

1-3/4" x 5-1/2" Nexus® Pocket Rail
(7/8" x 2" Pocket)

Pcs/Pallet: 98
AL - 70", 94", 16'

Note: 16' Insert Required Separately

HOMEWOOD OPTION



Proper G3RFM147 steel insert orientation shown for bottom rail. Reverse for top rail.

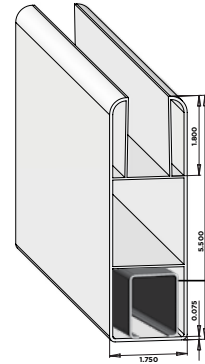
1-3/4" X 5-1/2" NEXUS® POCKET RAIL

HOMEWOOD OPTION F3P5 ONLY
O=Mocha Walnut, A=Aspen Latte (AL Only),
I=Chai Gray, U=Green Teak

F3P5

Pcs/Pallet: 98
AL - 94" (With Steel Inserted),
16'
UT - 94" (With Steel Inserted),
71-1/2" (With Steel Inserted)

Note: 16' Insert Required Separately



Proper G3RFM147 steel insert orientation shown for bottom rail. Reverse for top rail.

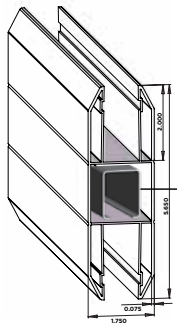
1-3/4" X 5-1/2" GORILLA® POCKET RAIL

W=White, T=Tan, D=Adobe

F37C

1-3/4" x 5-1/2" Gorilla® Pocket Rail
(7/8" x 1-3/4" Pocket)

Pcs/Pallet: 98
AL - 70", 94", 16'
NJ - 70", 94", 16'
FL - 70", 94", 16'
UT - 71-1/2", 94", 16'
TX - 70", 94", 16'



Proper G3RFM147 steel for Mid-Rail insert orientation shown. Open side of insert always faces the ground.

1-3/4" X 5-1/2" NEXUS® MID-RAIL

W=White, T=Tan, D=Adobe,
F= Dark Gray (AL Only), L= Light Gray (AL Only)

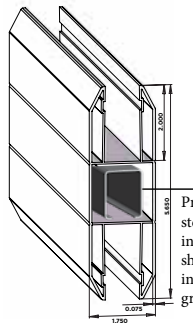
F3PM

1-3/4" x 5-1/2" Nexus® Mid-Rail
(7/8" x 2" Pocket)

Pcs/Pallet: 98
AL - 70", 94", 16'

Note: 16' Insert Required Separately

HOMEWOOD OPTION



Proper G3RFM147 steel for Mid-Rail insert orientation shown. Open side of insert always faces the ground.

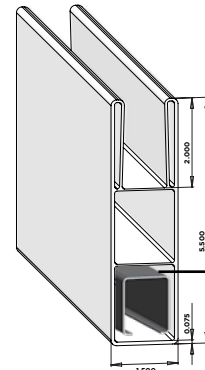
1-3/4" X 5-1/2" NEXUS® MID-RAIL

HOMEWOOD OPTION F3PM ONLY
O=Mocha Walnut, A=Aspen Latte (AL Only),
I=Chai Gray, U=Green Teak

F3PM

Pcs/Pallet: 98
AL - 94" (With Steel Inserted),
16'
UT - 94" (With Steel Inserted),
71-1/2" (With Steel Inserted),
16'

Note: 16' Insert Required Separately



Proper G3RFH121 steel insert orientation shown for bottom rail. Reverse for top rail.

1-1/2" X 5-1/2" GORILLA® POCKET RAIL

W=White, T=Tan, D=Adobe

F32G

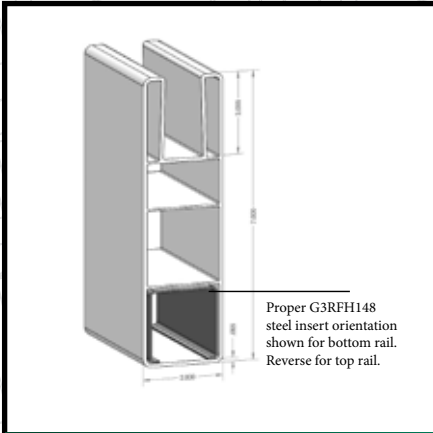
1-1/2" x 5-1/2" Gorilla® Pocket Rail
(7/8" x 2" Pocket)

Pcs/Pallet: 114
UT - 71-1/2", 76", 83", 94", 16'
TX - 70", 94", 16'

Note: 16' Insert Required Separately

Availability and profile dimensions are subject to change without notice. Check with manufacturer before ordering. All dimensions are subject to manufacturer's tolerances. Gorilla® is a registered trademark of Homeland Vinyl Products, Inc. Nexus® is a registered trademark of Homeland Vinyl Products, Inc.

PRIVACY FENCE
POCKET RAIL • PRIVACY PICKETS



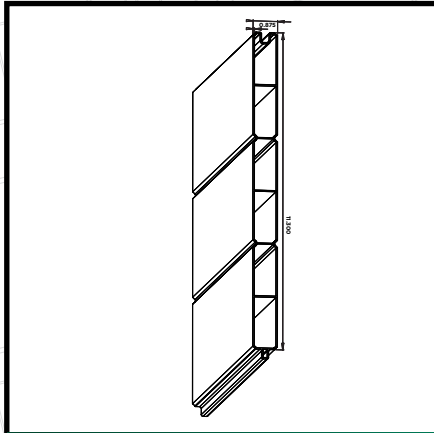
2" X 7" HOMETOWN
POCKET RAIL

W=White, T=Tan, D=Adobe

F3HT

2" x 7" Hometown Pocket Rail
(7/8" x 2" Pocket)
Pcs/Pallet: 66
NJ - 94", 16'

F3HT LIMITED AVAILABILITY.
RUN ONLY ONCE OR TWICE
YEARLY.



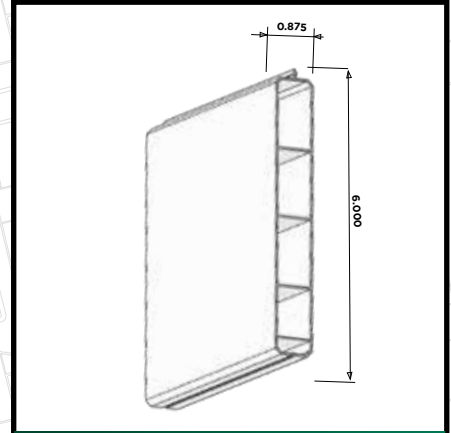
7/8" X 11.3" GORILLA®
T&G

W=White, T=Tan, D=Adobe

F61S

7/8" x 11.3" Gorilla® T&G
Pcs/Pallet: 100

UT - 55-1/4", 60-1/4", 62-1/4", 64", 16'



7/8" X 6" GORILLA®
LOCKING PICKET

W=White, T=Tan, D=Adobe,
F= Dark Gray (AL Only), L= Light Gray (AL Only)

F54L

7/8" x 6" Gorilla® Locking Picket

Pcs/Pallet: 178 (16')
Shorter Lengths, 346
AL - 59-1/2", 62-1/4", 16'
NJ - 59-1/2", 62-1/4", 16'
FL - 59-1/2" (Stocked in W & T only)



WHITE, TAN & ADOBE

7/8" X 6" GORILLA® T&G

W=White, T=Tan, D=Adobe

F54G

7/8" x 6" Gorilla® T&G
Pcs/Pallet: 178 (16')
Shorter Lengths, 346

AL - 35-1/2", 38-1/4", 41-1/2", 47-1/2", 49",
50-1/4", 52", 57-1/2", 59-1/2", 62-1/4",
70", 16'
NJ - 35-1/2", 38-1/4", 41-1/2", 47-1/2", 49",
50-1/4", 57-1/2", 59-1/2", 61", 62-1/4", 64",
70", 16'
UT - 47-1/2", 55-1/4", 59-1/2", 60-1/4", 62-1/4"
FL - 47-1/2", 62-1/4", 16'
TX - 35-1/2", 38-1/4", 41-1/2", 47-1/2", 50-1/4",
57-1/2", 59-1/2", 62-1/4", 70", 16'



LIGHT & DARK GRAY

7/8" X 6" GORILLA® T&G

F= Dark Gray, L= Light Gray

F54G

7/8" x 6" T&G
Pcs/Pallet: 178 (16')
Shorter Lengths, 346
AL - 59-1/2", 62-1/4", 70", 16'



HOMEWOOD OPTION

7/8" X 6" GORILLA® T&G

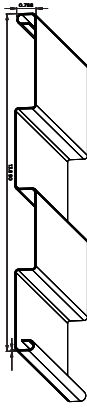
HOMEWOOD OPTION F54C ONLY

O=Mocha Walnut, A=Aspen Latte (AL Only),
I=Chai Gray, U=Green Teak

F54C

7/8" x 6" Homewood® T&G
Pcs/Pallet: 178 (16')
Shorter Lengths, 346
AL - 30-1/2", 62-1/4", 70", 16'
UT - 30-1/2", 60-1/4", 62-1/4", 70", 16'

**PRIVACY FENCE
PRIVACY PICKETS , RAILS**



**7/8" X 14" GORILLA® PRIVACY
NO EMOSS PANEL**

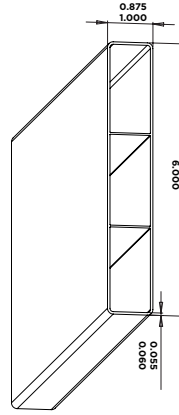
W=White, T=Tan, D=Adobe, S = Sand

F55B

7/8" x 14" Gorilla® Privacy No Emboss Panel
Pcs/Pallet: 96Pcs @ 12'6"
180 Pcs Cut length

AL - 29", 64", 12'6"

**F55B LIMITED AVAILABILITY.
RUN ONLY ONCE OR TWICE
YEARLY.**



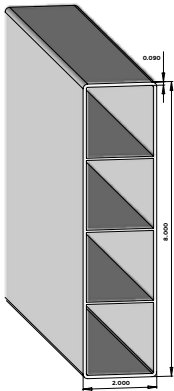
**7/8" X 6" RIBBED
STANDARD**

W=White, T=Tan, D=Adobe,
F= Dark Gray (AL Only), L= Light Gray (AL Only)

F56R

7/8" x 6" Ribbed Standard
Pcs/Pallet: 346
12' and 16' Lengths, 178

AL - 69-1/2", 12', 16'
NJ - 16' (Stocked In NJ)
UT - 16'
FL - 69-1/2", 16' (Stocked in FL)



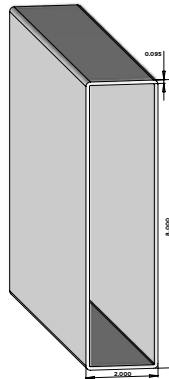
2" X 8" RIBBED RAIL

W=White, T=Tan, D=Adobe,
F= Dark Gray (AL Only), L= Light Gray (AL Only)

F20R

2" x 8" Ribbed Rail
Pcs/Pallet: 66
AL - 16', 24'

**F20R LIMITED AVAILABILITY.
RUN ONLY ONCE OR TWICE
YEARLY.**

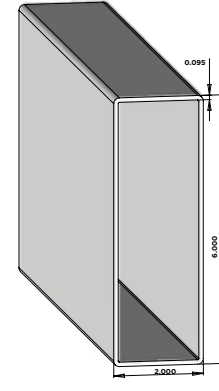


2" X 8" HOLLOW RAIL

W=White, T=Tan, D=Adobe,
F= Dark Gray (AL Only), L= Light Gray (AL Only)

F20S

2" X 8" Hollow Rail
Pcs/Pallet: 66
AL - 16', 24'



2" X 6" HOLLOW RAIL

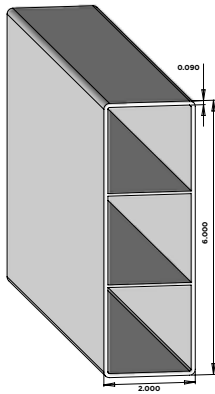
W=White, T=Tan, D=Adobe,
F= Dark Gray (AL Only), L= Light Gray (AL Only)

F22E

2" x 6" Hollow Rail
Pcs/Pallet: 88
AL - 8', 12', 16', 24'
UT - 12', 16'

Availability and profile dimensions are subject to change without notice. Check with manufacturer before ordering.
All dimensions are subject to manufacturer's tolerances. Gorilla® is a registered trademark of Homeland Vinyl Products, Inc.

PRIVACY FENCE
RAILS

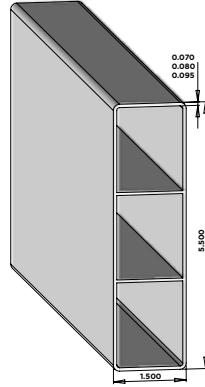


2" X 6" RIBBED RAIL

W=White, T=Tan, D=Adobe,
F= Dark Gray (AL Only), L= Light Gray (AL Only)

F22C

(0.090 Wall)
2" x 6" Ribbed Rail
Pcs/Pallet: 88
AL - 94", 12', 16'
NJ - 94", 8', 16' (Stocked In White & Tan)
UT - 12', 16'



1-1/2" X 5-1/2" RIBBED
RAIL (UTILITY & UTILITY VALUE)

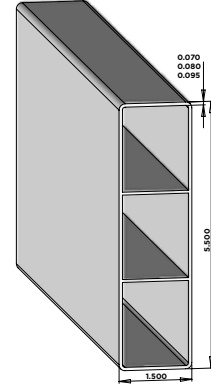
W=White, T=Tan, D=Adobe

F27E (0.080 Wall)

1-1/2" x 5-1/2" Ribbed Utility Rail
Pcs/Pallet: 114
AL - 94", 16' (F= Dark Gray , L= Light Gray)
UT - 16'
TX - 94", 16'

F27M (0.070 Wall)

1-1/2" x 5-1/2" Utility Value Rail (Color Inside)
Pcs/Pallet: 114
AL - 94", 16'
UT - 16'
FL - 94", 16' (Stocked in FL)
TX - 94", 16'



1-1/2" X 5-1/2" RIBBED
RAIL

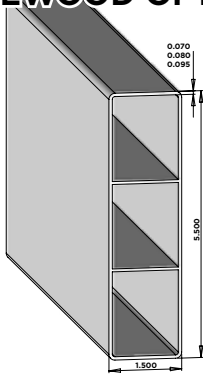
W=White, T=Tan, D=Adobe,
F= Dark Gray (AL Only), L= Light Gray (AL Only)

F27C (0.095 Wall)

1-1/2" x 5-1/2" Ribbed Rail
Pcs/Pallet: 114
AL - 16'
UT - 16'

Note: 16' Insert Required Separately

HOMEWOOD OPTION



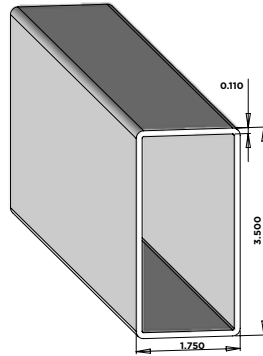
1-1/2" X 5-1/2" RIBBED
RAIL

HOMEWOOD OPTION F27C ONLY
O=Mocha Walnut, A=Aspen Latte (AL Only),
I=Chai Gray, U=Green Teak

F27C (0.095 Wall)

1-1/2" x 5-1/2" Ribbed Rail
Pcs/Pallet: 114
AL - 16'
UT - 16'

Note: 16' Insert Required Separately



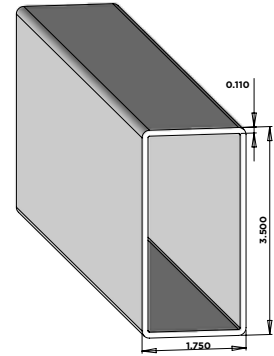
1-3/4" X 3-1/2" HOLLOW
STANDARD

W=White, T=Tan, D=Adobe,
F= Dark Gray (AL Only), L= Light Gray (AL Only)

F25B (0.110 Wall)

1-3/4" x 3-1/2" Hollow Standard Rail
Pcs/Pallet: 156
AL - 12', 16'
NJ - 12' (Stocked in White & Tan only)
UT - 12', 16' (Stocked in White & Tan only)
FL - 12' (Stocked in White & Tan only)

HOMEWOOD OPTION



1-3/4" X 3-1/2" HOLLOW
STANDARD

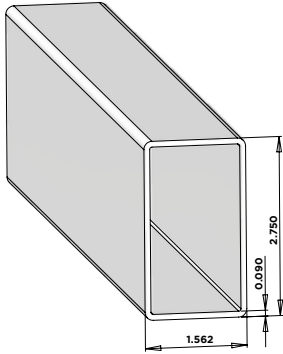
HOMEWOOD OPTION F25B ONLY
O=Mocha Walnut, I=Chai Gray, U=Green Teak

F25B (0.110 Wall)

1-3/4" x 3-1/2" Hollow Standard Rail
Pcs/Pallet: 156
AL - 16'

Availability and profile dimensions are subject to change without notice. Check with manufacturer before ordering.
All dimensions are subject to manufacturer's tolerances. Gorilla is a registered trademark of Homeland Vinyl Products, Inc.

PRIVACY FENCE RAILS • U-CHANNEL • TRIM CHANNEL



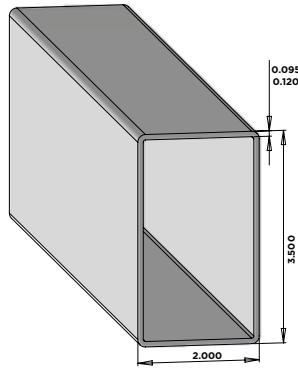
1-1/2" X 2-3/4" STANDARD RAIL

W=White, T=Tan, D=Adobe

F23S (0.090 Wall)
1-1/2" x 2-3/4" Standard Rail
Pcs/Pallet: 224

AL - MTO

F23S LIMITED AVAILABILITY.
RUN ONLY ONCE OR TWICE
YEARLY.

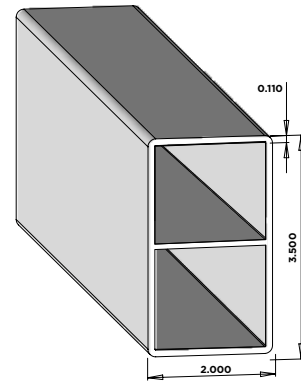


2" X 3-1/2" HOLLOW UTILITY RAIL

W=White, T=Tan, D=Adobe,
F= Dark Gray (AL Only), L= Light Gray (AL Only)

F24E (0.095 Wall)
2" x 3-1/2" Hollow Utility Rail
Pcs/Pallet: 143

AL - 6', 94", 8', 12', 16', 24'
TN - 6', 94", 8', 12', 16', 24'
UT - 6', 94", 8', 12', 16', 24'
FL - 6', 8', 12', 16' (Stocked in White & Tan only)
TX - 6', 8' (Stocked in White & Tan only)



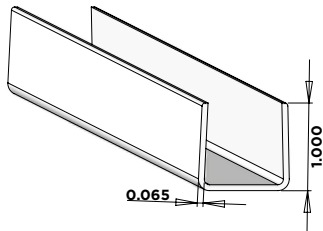
2" X 3-1/2" RIBBED RAIL

W= White , T= Tan

F24B (0.110 Wall)
2" x 3-1/2" Ribbed Rail
Pcs/Pallet: 143

TN - 8', 12', 16', 24'
AL - 8', 12', 16', 24' (Stocked In AL)

F24B LIMITED AVAILABILITY.
RUN ONLY ONCE OR TWICE
YEARLY.



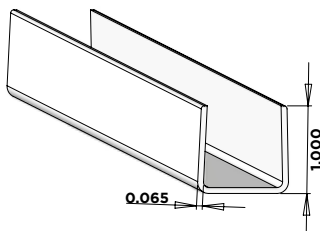
7/8" U-CHANNEL STANDARD

W=White, T=Tan, D=Adobe,
F= Dark Gray (AL Only), L= Light Gray (AL Only)

F83S
7/8" U-Channel Standard
Pcs/Box: 64

AL - 122"
NJ - 122" (Stocked In NJ)
UT - 122" (Stocked In UT)
TX - 122" (Stocked in White & Tan only)

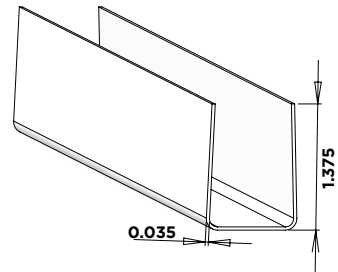
HOMEWOOD OPTION



7/8" U-CHANNEL STANDARD

HOMEWOOD OPTION F83S ONLY
O=Mocha Walnut, A=Aspen Latte (AL Only),
I=Chai Gray, U=Green Teak

F83S
Pcs/Box: 64
AL - 122"
UT - 122"- (Stocked in UT)



7/8" TRIM CHANNEL

W=White, T=Tan, D=Adobe

F83U
7/8" Trim Channel
Pcs/Box: 60 (10' 2")
(Shorter lengths 840 Pcs/Pallet)
AL - 52", 56", 57", 58", 58-3/4", 59", 59-1/4",
60-7/8", 122"
NJ - 58", 58-3/4", 60-7/8", 10'2" (Stocked In NJ)
TN - 52", 56", 57", 58", 58-3/4", 59", 59-1/4",
60-7/8", 122"
UT - 52", 56", 57", 58-3/4", 59", 59-1/4",
60-7/8", 122" (Stocked In UT)
FL - 58-3/4", 59", 59-1/4", 122"
(Stocked in White & Tan only)
TX - 59", 122" (Stocked in White & Tan only)

Availability and profile dimensions are subject to change without notice. Check with manufacturer before ordering.
All dimensions are subject to manufacturer's tolerances. Gorilla® is a registered trademark of Homeland Vinyl Products, Inc.

PRIVACY FENCE
CHANNEL • GATE BRACE



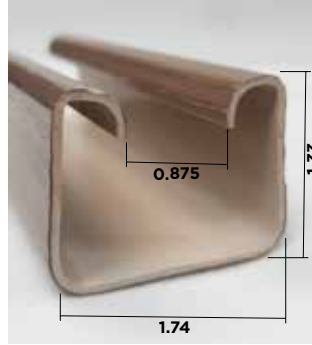
GORILLA® PICKET CHANNEL

W=White, T=Tan, D=Adobe,
F= Dark Gray (AL Only), L= Light Gray (AL Only)

FTG4

Gorilla Picket Channel
Pcs/Box: 40 Box
AL - 6'

HOMEWOOD OPTION

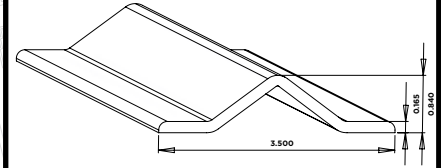


GORILLA® PICKET CHANNEL

HOMEWOOD OPTION FTG4
O=Mocha Walnut, A=Aspen Latte (AL Only),
I=Chai Gray, U=Green Teak

FTG4

Pcs/Pallet: 40 Box
AL - 6'
UT - 6' (Stocked in UT)

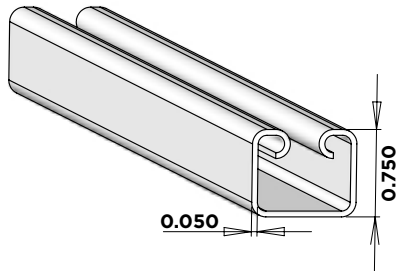


GATE SUPPORT BRACE

W=White, T=Tan, D=Adobe,
F= Dark Gray (AL Only), L= Light Gray (AL Only)

F86S (0.165 Wall)

Gate Support Brace
Bundled: 240 pcs
Boxed: 24 pcs
AL - 8' (Box & Bundled), 12' (Box)
FL - 8' (Box & Bundled)
(Stocked in White & Tan only)



3/4" LATTICE CHANNEL

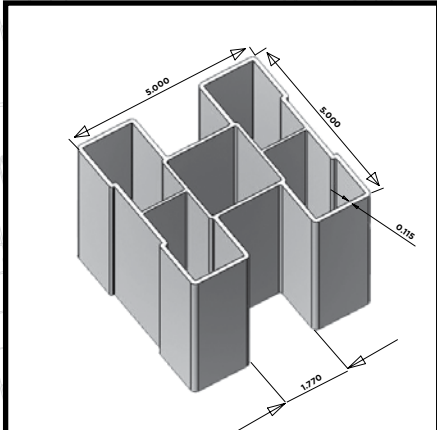
W=White, T=Tan, D=Adobe,
F= Dark Gray (AL Only), L= Light Gray (AL Only)

F89S (0.050 Wall)

3/4" Lattice Channel
Pcs/Box: 60
AL - 8'

Availability and profile dimensions are subject to change without notice. Check with manufacturer before ordering.
All dimensions are subject to manufacturer's tolerances.

FENCE GORILLA® FENCE

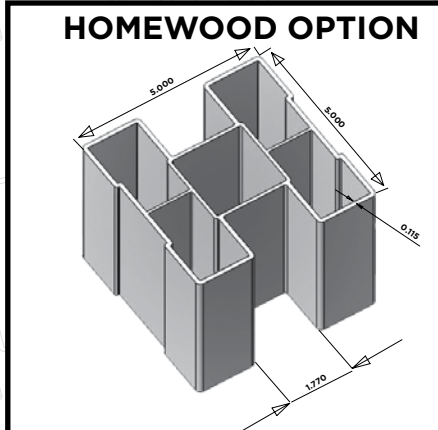


**5" X 5" GORILLA®
H-POST**

W=White, D=Adobe,
F= Dark Gray (AL Only), L= Light Gray (AL Only)

FTG1 (0.115 Wall)
5" x 5" Gorilla®
Pcs/Pallet: 81
H-Post
AL - 9'

**FTG1 LIMITED AVAILABILITY.
RUN ONLY ONCE OR TWICE
YEARLY.**

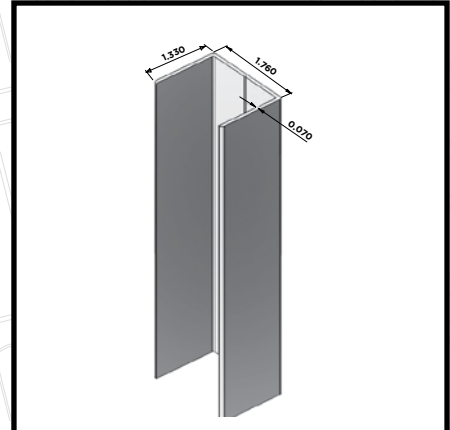


HOMEWOOD OPTION

**5" X 5" GORILLA®
H-POST**

HOMEWOOD OPTION FTG1
O=Mocha Walnut, A=Aspen Latte,
I=Chai Gray, U=Green Teak

FTG1
Pcs/Pallet: 81
AL - 9'

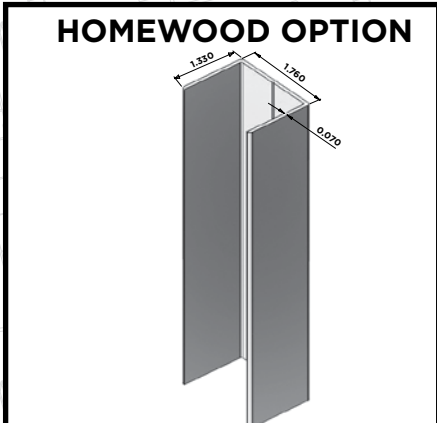


**1-1/2 GORILLA® POST
INSERT**

W=White, D=Adobe,
F= Dark Gray (AL Only), L= Light Gray (AL Only)

FTG2 (0.070 Wall)
1-1/2" Gorilla®
Post Insert
Pcs/Pallet: 200
AL - 8'

**FTG2 LIMITED AVAILABILITY.
RUN ONLY ONCE OR TWICE
YEARLY.**

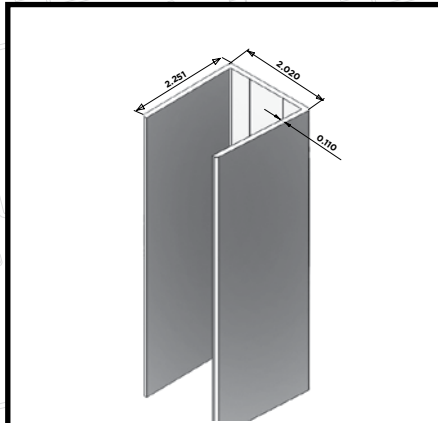


HOMEWOOD OPTION

**1-1/2 GORILLA® POST
INSERT**

HOMEWOOD OPTION FTG2
O=Mocha Walnut, A=Aspen Latte,
I=Chai Gray, U=Green Teak

FTG2
Pcs/Pallet: 200
AL - 8'

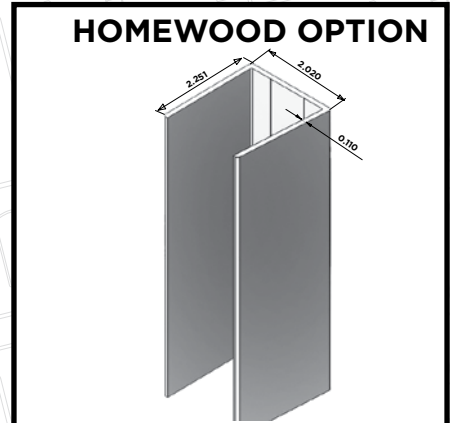


**1-3/4 GORILLA® FENCE
U-CHANNEL**

W=White, D=Adobe,
F= Dark Gray (AL Only), L= Light Gray (AL Only)

FTG3 (0.110 Wall)
1-3/4" Gorilla®
Fence U-Channel
Pcs/Pallet: 200
AL - 8'

**FTG3 LIMITED AVAILABILITY.
RUN ONLY ONCE OR TWICE
YEARLY.**



HOMEWOOD OPTION

**1-3/4 GORILLA® FENCE
U-CHANNEL**

HOMEWOOD OPTION FTG3
O=Mocha Walnut, A=Aspen Latte,
I=Chai Gray, U=Green Teak

FTG3
Pcs/Pallet: 200
AL - 8'

Availability and profile dimensions are subject to change without notice. Check with manufacturer before ordering.
All dimensions are subject to manufacturer's tolerances.

GORILLA® GUARD RAIL

Profiles

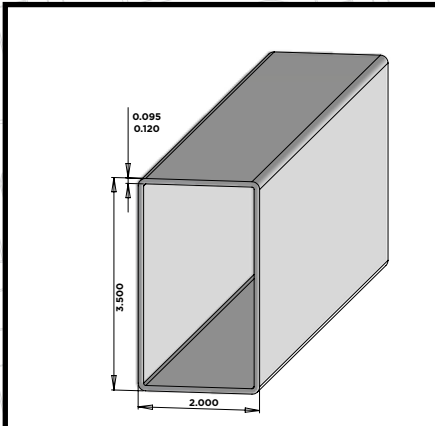


Gorilla® is a trademark of Homeland Vinyl Products, Inc.



GORILLA™ GUARD RAIL

SUMMIT® 2x3-1/2, T-RAIL, CONTOUR

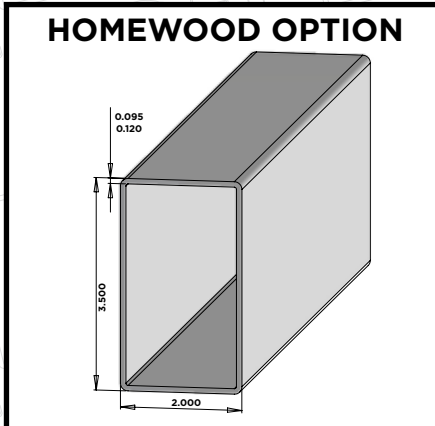


2" X 3-1/2" HOLLOW UTILITY RAIL

W=White, T=Tan, D=Adobe,
F= Dark Gray (AL Only), L= Light Gray (AL Only)

F24C (0.120 Wall)
2" x 3-1/2" Hollow Standard Rail
Pcs/Pallet: 143
AL - 6', 8', 10', 16', 24'
UT - 6', 94", 10', 12', 16'
TN - 6', 8', 94", 10', 16', 24'

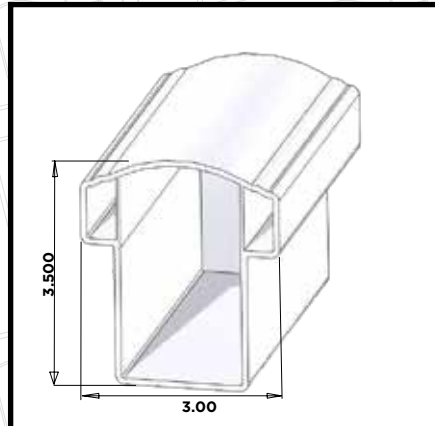
F24E (0.095 Wall)
2" x 3-1/2" Hollow Utility Rail
Pcs/Pallet: 143
AL - 6', 94", 8', 10', 12', 16', 24'
TN - 6', 94", 8', 10', 12', 16', 24'
UT - 6', 94", 8', 12', 16', 24'
FL - 6', 8' (Stocked in FL)
TX - 6', 8' (Stocked in White & Tan only)



2" X 3-1/2" HOLLOW UTILITY RAIL

HOMEWOOD OPTION F24E ONLY
O=Mocha Walnut, A=Aspen Latte (AL Only),
I=Chai Gray, U=Green Teak

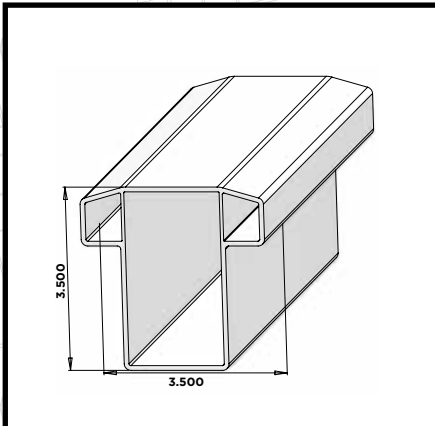
F24E (0.095 Wall)
2" x 3-1/2" Hollow Utility Rail
Pcs/Pallet: 143
AL - 6', 8', 16'
UT - 12', 16'



3" CONTOUR RAIL

W=White, T=Tan, D=Adobe

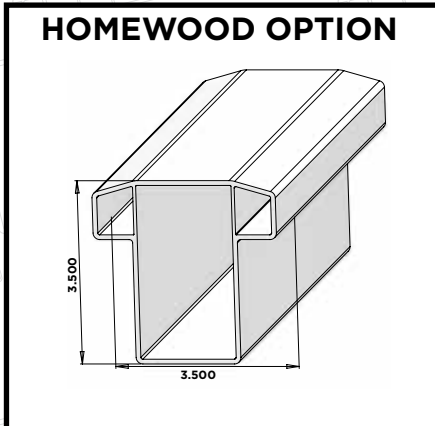
F36S (0.095 Wall)
3" Contour Rail
Pcs/Pallet: 102
AL - 24'



3-1/2" GORILLA® T-RAIL

W=White, T=Tan, D=Adobe

F35C (0.090 Wall)
3-1/2" Gorilla® T-Rail
Pcs/Pallet: 90
AL - 6', 8', 10', 16'
TN - 6', 8', 10', 16'



3-1/2" GORILLA® T-RAIL

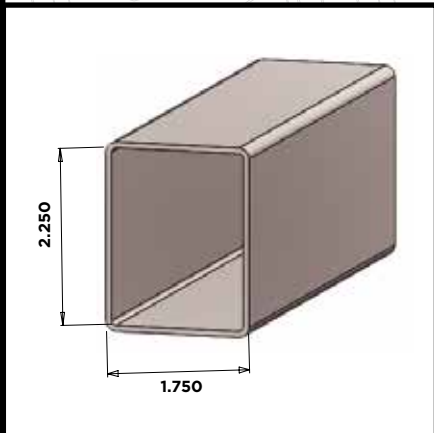
HOMEWOOD OPTION F35C ONLY
O=Mocha Walnut

F35C - (0.095 Wall)
3-1/2" Gorilla® T-Rail
Pcs/Pallet: 90
AL - 8', 16'

See ESR-1657 report for detailed applications. Check local building codes in your area.
Availability and profile dimensions are subject to change without notice. Check with manufacturer before ordering.
All dimensions are subject to manufacturer's tolerances.

GORILLA™ GUARD RAIL

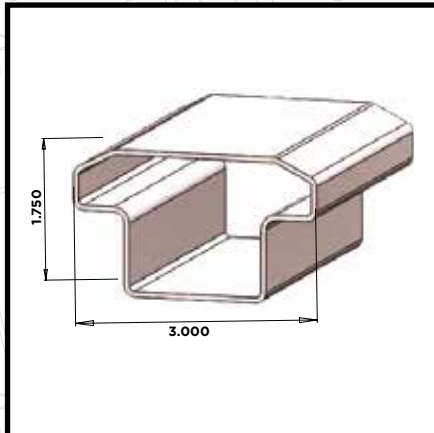
NEXUS® 1-3/4 x 2-1/4 • 4-1/2 GORILLA® RAIL • PALISADE RAIL • PALISADE RAIL



1-3/4" X 2-1/4" NEXUS®

W=White, T=Tan, D=Adobe, K=Black

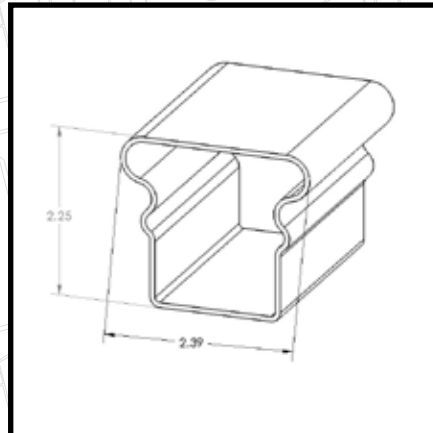
F3PB (0.065 Wall)
1-3/4" x 2-1/4" Nexus® Rail
Pcs/Pallet: 216
TN - 71-3/8", 95-3/8", 119-3/8"



1-3/4" NEXUS® 1 T-RAIL

W=White, T=Tan, D=Adobe, K=Black

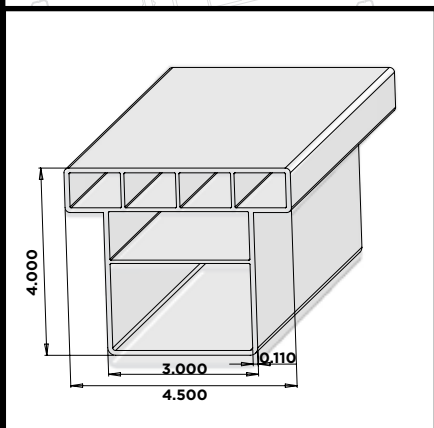
F34C (0.065 Wall)
1-3/4" Nexus® 1 T-Rail
Pcs/Pallet: 216
TN - 71-3/8", 95-3/8", 119-3/8"
(Black: 71-3/8", 95-3/8")



1-3/4" NEXUS® 2 T-RAIL

W=White, T=Tan, D=Adobe

F3N2 (0.065 Wall)
1-3/4" Nexus® 2 T-Rail
Pcs/Pallet: 216
TN - 71-3/8", 95-3/8", 119-3/8"
(Black: 71-3/8")

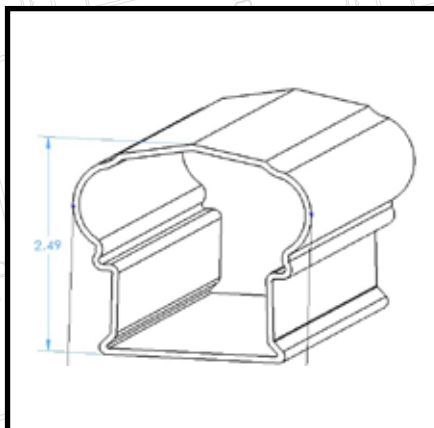


4-1/2" GORILLA® RAIL

W=White, T=Tan, D=Adobe

FTB (0.110 Wall)
4-1/2" Gorilla® Rail
Pcs/Pallet: 66
AL - 24'

FTB LIMITED AVAILABILITY.
RUN ONLY ONCE OR TWICE
YEARLY.

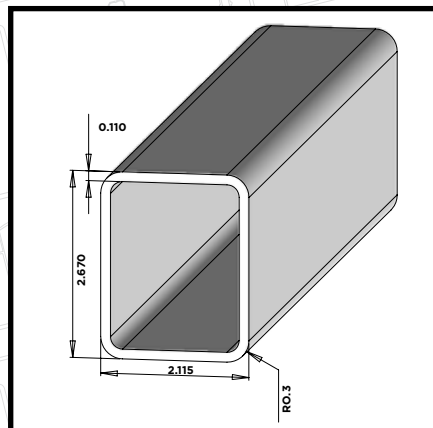


PALISADE RAIL

W=White, T=Tan, D=Adobe

FHP1 (0.070 Wall)
Palisade Rail
Pcs/Pallet: 136
AL - 6', 8', 10' MTO

FHP1 LIMITED AVAILABILITY.
RUN ONLY ONCE OR TWICE
YEARLY.



2-1/8" X 2-3/4" STANDARD RAIL

W=White, T=Tan, D=Adobe, K=Black

F26S (0.110 Wall)
2-1/8" x 2-3/4" Standard Rail
Pcs/Pallet: 170
AL - 12', 16'

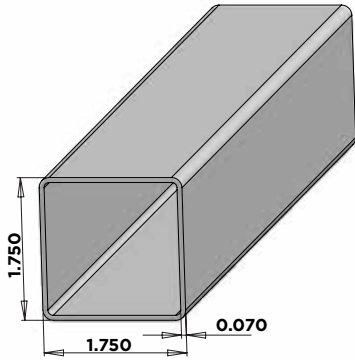
See ESR-1657 report for detailed applications. Check local building codes in your area.

Availability and profile dimensions are subject to change without notice. Check with manufacturer before ordering.
All dimensions are subject to manufacturer's tolerances.

Pickets *Profiles*



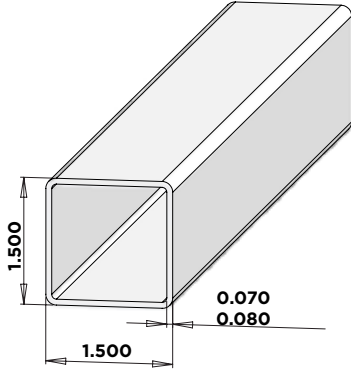
FENCE/GUARD RAIL
SMALL PICKETS



1-3/4" X 1-3/4"
STANDARD PICKETS

W=White, T=Tan, D=Adobe

F41S (0.070 Wall)
1-3/4" x 1-3/4" Standard Pickets
Pcs/Pallet: 312
AL - 16'
UT - 16' (Stocked In UT)

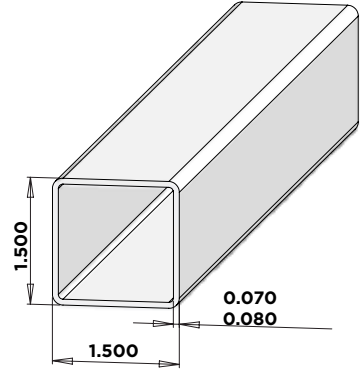


1-1/2" X 1-1/2"
STANDARD PICKETS

W=White, T=Tan, D=Adobe, G=Gray,
F= Dark Gray (AL Only), L= Light Gray (AL Only)

F42S (0.070 Wall)
1-1/2" x 1-1/2" Standard Pickets
Pcs/Pallet: 450 (Other Sizes 900)
AL - 30-1/2", 32", 38", 44", 56",
10', 12', 16' (Stocked in AL)
TN - 30-1/2", 32", 38", 44", 56", 10', 12', 16'
UT - 16' (Stocked In UT)
FL - 16' (Stocked in White & Tan only)
TX - 16' (Stocked in White & Tan only)

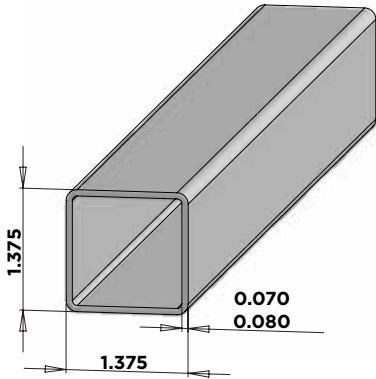
HOMEWOOD OPTION



1-1/2" X 1-1/2"
STANDARD PICKETS

HOMEWOOD OPTION F42S ONLY
O=Mocha Walnut, A=Aspen Latte,
I=Chai Gray, U=Green Teak

F42S (0.070 Wall)
1-1/2" x 1-1/2" Standard Pickets
Pcs/Pallet: 450
AL - 16'

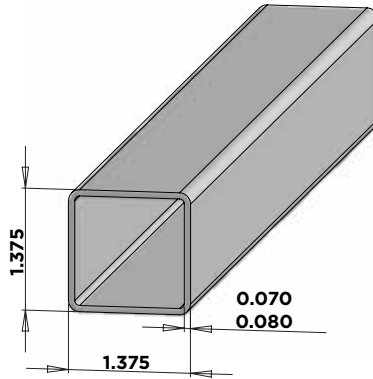


1-3/8" X 1-3/8"
STANDARD PICKETS

W=White, T=Tan, D=Adobe, K=Black

F43C (0.070 Wall)
1-3/8" x 1-3/8" Standard Pickets
Pcs/Pallet: 16' - 330 (Other Sizes 600)
AL - 30", 31-3/4", 32-1/2", 38-1/2",
16' (Stocked In AL) (Black: 32-1/2", 38-1/2")
TN - 30", 31-3/4", 32-1/2", 38-1/2", 16'
(Black: 32-1/2", 95-3/8")
UT - 16' (Stocked In UT)

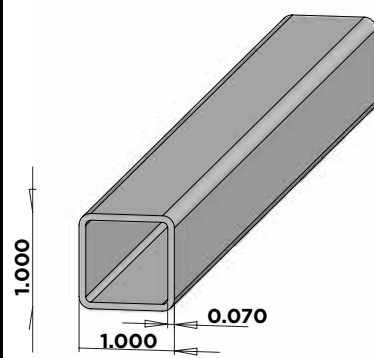
HOMEWOOD OPTION



1-3/8" X 1-3/8"
STANDARD PICKETS

HOMEWOOD OPTION F43C ONLY
O=Mocha Walnut, A=Aspen Latte,
I=Chai Gray, U=Green Teak

F43C (0.070 Wall)
1-3/8" x 1-3/8" Standard Pickets
Pcs/Pallet: 330
AL - 16'



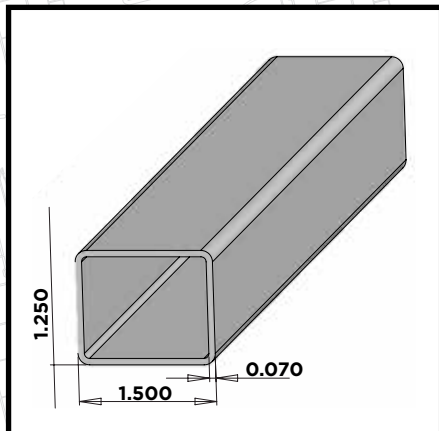
1" X 1" STANDARD
PICKETS

W=White, T=Tan, D=Adobe

F45S (0.070 Wall)
1" x 1" Standard Pickets
Pcs/Pallet: 450
AL - 16'
UT - 16' (Stocked in White & Tan only)

Availability and profile dimensions are subject to change without notice. Check with manufacturer before ordering.
All dimensions are subject to manufacturer's tolerances. Gorilla is a registered trademark of Homeland Vinyl Products, Inc.

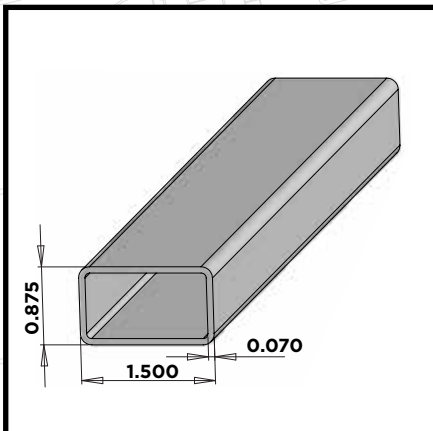
FENCE/GUARD RAIL SMALL PICKETS



**1-1/4" X 1-1/2"
STANDARD PICKETS**

W=White, T=Tan, D=Adobe

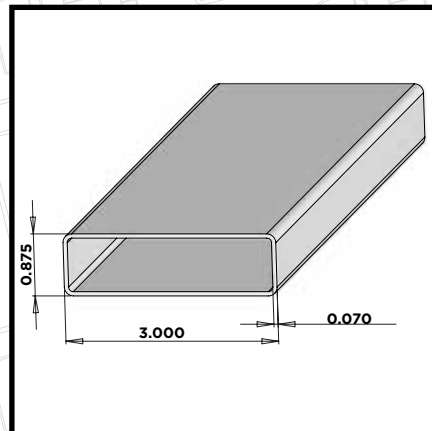
F47S (0.070 Wall)
1-1/4" x 1-1/2" Standard Pickets
Pcs/Pallet: 510
AL - MTO



**7/8" X 1-1/2"
STANDARD PICKETS**

W=White, T=Tan, D=Adobe

F65S (0.070 Wall)
7/8" x 1-1/2" Standard Pickets
Pcs/Pallet: 942 (16', 402 pcs.)
AL - 31-3/4", 32", 16' (Stocked in AL)
NJ - 16' (Stocked in NJ)
UT - 31-3/4", 33", 16' (Stocked In UT)
FL - 16' (Stocked in FL)
TN - 32", 16'

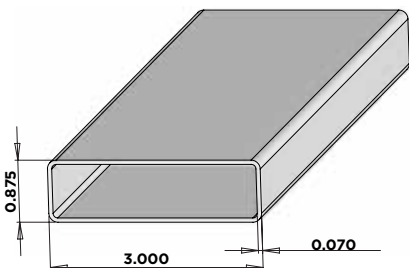


**7/8" X 3" STANDARD
PICKETS**

W=White, T=Tan, D=Adobe,
F= Dark Gray (AL Only), L= Light Gray (AL Only)

F57C (0.070 Wall)
7/8" x 3" Standard Pickets
Pcs/Pallet: 355
AL - 44", 45-7/8", 56", 12', 16' (Stocked in AL)
UT - 16'
TN - 44", 45-7/8", 56", 12', 16'
TX - 16' (Stocked in White & Tan only)
FL - 45-7/8", 16' (Stocked in White & Tan only)

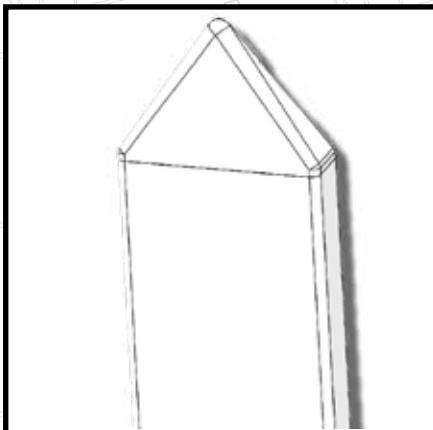
HOMEWOOD OPTION



**7/8" X 3" STANDARD
PICKETS**

HOMEWOOD OPTION F57H ONLY
O=Mocha Walnut, A=Aspen Latte,
I=Chai Gray, U=Green Teak

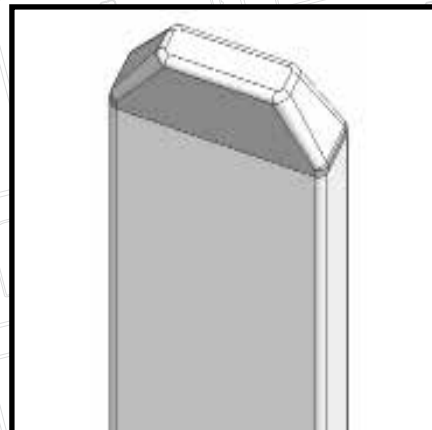
F57H (0.080 Wall)
7/8" x 3" Gorilla® Pickets
Pcs/Pallet: 355
AL - 8', 16'



7/8" X 3" SPADE PICKET

W=White, T=Tan, D=Adobe

F57C-SPC
7/8" x 3" Standard Picket
welded to Spade Cap
Pcs/Pallet: 355
TN - 44" (Extrusion) + Welded Spade Cap
45-7/8" (Extrusion) + Welded Spade Cap
56" (Extrusion) + Welded Spade Cap
68" (Extrusion) + Welded Spade Cap



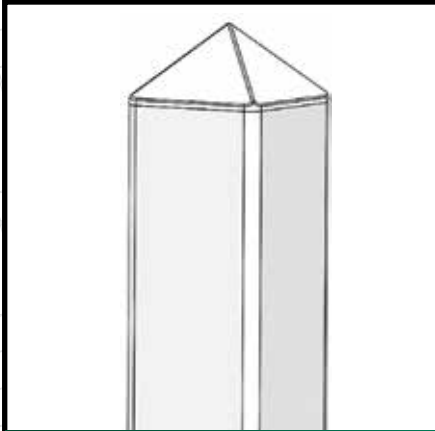
**7/8" X 3" DOG EAR
PICKET**

W=White, T=Tan, D=Adobe

F57C-DEC
7/8" x 3" Standard Picket
welded to Dog Ear Cap
Pcs/Pallet: 355
TN - 44" (Extrusion) + Welded Dog Ear Cap
45-7/8" (Extrusion) + Welded Dog Ear Cap
56" (Extrusion) + Welded Dog Ear Cap
68" (Extrusion) + Welded Dog Ear Cap

Availability and profile dimensions are subject to change without notice. Check with manufacturer before ordering.
All dimensions are subject to manufacturer's tolerances.

FENCE/GUARD RAIL
SMALL PICKETS



1-1/2" X 1-1/2"
SHARP PICKET

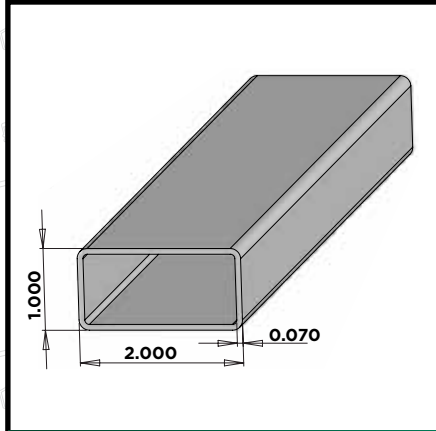
W=White, T=Tan, D=Adobe

F42S-SPD

1-1/2" x 1-1/2" Standard Picket
welded to Sharp Cap

Pcs/Pallet: 900

- TN - 44" (Extrusion) + Welded Sharp Cap
- 45-7/8" (Extrusion) + Welded Sharp Cap
- 56" (Extrusion) + Welded Sharp Cap
- 68" (Extrusion) + Welded Sharp Cap



1" X 2" STANDARD
PICKETS

W=White, T=Tan, D=Adobe

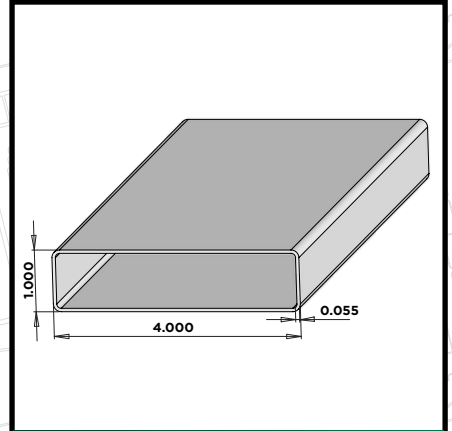
F48S (0.070 Wall)

1" x 2" Standard Pickets

Pcs/Pallet: 270

AL - 16'

**F48S LIMITED AVAILABILITY.
RUN ONLY ONCE OR TWICE
YEARLY.**



1" X 4" UTILITY PICKETS

W=White, T=Tan, D=Adobe

F49U (0.055 Wall)

1" x 4" Utility Pickets

Pcs/Pallet: 253

AL - MTO

Availability and profile dimensions are subject to change without notice. Check with manufacturer before ordering.
All dimensions are subject to manufacturer's tolerances.

GORILLA[®] WRAP

Profiles & Accessories



GORILLA® WRAP

8 Piece Gorilla Post Wraps • 4 Piece Gorilla Post Wrap



1-3/4" x 10' GORILLA® POST WRAP CORNER TRIM

W=White, T=Tan, D=Adobe

FMWC

Gorilla® Wrap Corner
Pcs/Box: 20 per box

AL - 10'



4" x 10' GORILLA® POST WRAP COVERAGE SLAT

W=White, T=Tan, D=Adobe

FMW4

4" Gorilla® Wrap Insert Pcs/Box: 20 per box

Covers sides of 3-1/4" to 4-1/4"
AL - 10'



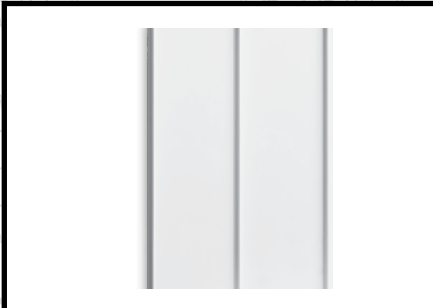
6" x 10' GORILLA® POST WRAP COVERAGE SLAT

W=White, T=Tan, D=Adobe

FMW6

6" Gorilla® Wrap Insert
Pcs/Box: 20 per box

Covers sides of 5-1/4" to 6-1/4"
AL - 10'



8" x 10' GORILLA® POST WRAP COVERAGE SLAT

W=White, T=Tan, D=Adobe

FMW8

8" Gorilla® Wrap Insert
Pcs/Box: 20 per box

Covers sides of 7-1/4" to 8-1/4"
AL - 10'



10" x 10' GORILLA® POST WRAP COVERAGE SLAT

W=White, T=Tan, D=Adobe

FMW0

10" Gorilla® Wrap Insert
Pcs/Box: 20 per box

Covers sides of 9-1/4" to 10-1/4"
AL - 10'



12" x 10' GORILLA® POST WRAP COVERAGE SLAT

W=White, T=Tan, D=Adobe

FMW2

12" Gorilla® Wrap Insert
Pcs/Box: 20 per box

Covers sides of 11-1/4" to 12-1/4"
AL - 10'



4 PIECE - 4" x 4" X 10' GORILLA® POST WRAP

W=White, T=Tan, D=Adobe

FPW4

4"x4" Gorilla® Wrap

Pcs/Box: 20 pieces per box =

5 posts per box

Bulk: 368 pieces per box =

92 posts per bundle

Length - 8', 10'

- 4 PIECES TO MAKE 1 POST
- FULL BOX WILL COVER A TOTAL OF 5 POSTS
- COVERS POSTS BETWEEN 3-7/16"- 4-3/8"
- ANY TWIST OR OUT OF SQUARE WILL REDUCE COVERAGE SIZE



4 PIECE - 6" x 6" X 10' GORILLA® POST WRAP

W=White, T=Tan, D=Adobe

FPW6

6"x6" Gorilla® Wrap

Pcs/Box: 16 pieces per box =

4 posts per box

Bulk: 296 pieces per box =

74 posts per bundle

Length - 8', 10'

- 4 PIECES TO MAKE 1 POST
- FULL BOX WILL COVER A TOTAL OF 4 POSTS
- COVERS POSTS BETWEEN 5-1/8"- 6"
- ANY TWIST OR OUT OF SQUARE WILL REDUCE COVERAGE SIZE

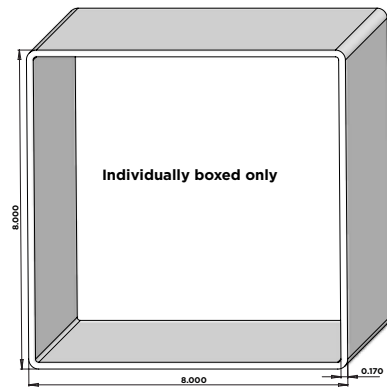
Gorilla® is a registered trademark of Homeland Vinyl Products, Inc.

GORILLA[®] POSTS & COLUMNS

Profiles



GORILLA® POSTS
POSTS

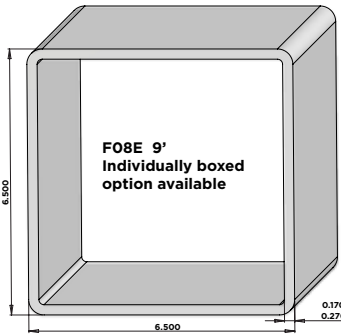


8" X 8" STANDARD POST

W=White, T=Tan, D=Adobe

F06C (0.170 Wall)
8" x 8" Standard Post
Pcs/Box: 1
Boxes/Skids: 10
Refer to Commodity Sheet for Box Costs.
SOLD IN SKID QUANTITIES ONLY
AL - 9'

F06C LIMITED AVAILABILITY.
RUN ONLY ONCE OR TWICE
YEARLY.

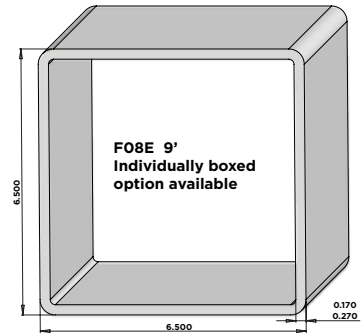


6-1/2" X 6-1/2" GORILLA® POST

W=White, T=Tan, D=Adobe

F08S (0.270 Wall)
6-1/2" x 6-1/2" Gorilla® Post
Pcs/Pallet: 21
AL - 9', 16'

F08S LIMITED AVAILABILITY.
RUN ONLY ONCE OR TWICE
YEARLY.



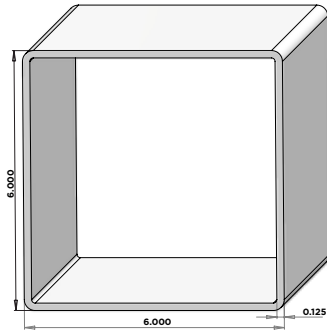
6-1/2" X 6-1/2" UTILITY POST

W=White, T=Tan, D=Adobe

F08E (0.170 Wall)
6-1/2" x 6-1/2" Post
Pcs/Pallet: 49
(24', 21 pcs.)
AL - 9', 10', 12'

F08E LIMITED AVAILABILITY.
RUN ONLY ONCE OR TWICE
YEARLY.

Boxed Option for F08E:
Pcs/Box: 1 Boxes/Skids: 20
Refer to Commodity Sheet for Box Costs.
SOLD IN SKID QUANTITIES ONLY

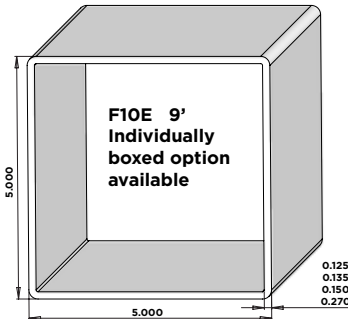


6" X 6" STANDARD POST

W=White, T=Tan, D=Adobe

F09C (0.125 Wall)
6" x 6" Standard Post
Pcs/Pallet: 32
AL - 8', 9', 10', 12', 16'

Please see Commodity Sheet for
bagged pricing.



5" X 5" (GORILLA®, STANDARD, UTILITY, RANCH) POST

W=White, T=Tan, D=Adobe

F10K (0.270 Wall)
5" x 5" Gorilla® Post
Pcs/Pallet: 36
AL - 9', 16', 24'

F10C (0.150 Wall)
5" x 5" Standard Post
Pcs/Pallet: 81 (16' & Over - 36 pcs)
AL - 6', 6'6", 7', 8', 9', 10', 12', 16', 24'
F= Dark Gray (AL Only), L= Light Gray (AL Only)
NJ - 6', 6'6", 7', 8', 9', 12'
UT - 6', 6'6", 8', 16'
TX - 10'

F10M (0.130 Wall)
5" x 5" Economy Post
(Color Inside) (White Only)
Pcs/Pallet: 81
AL - 8'6"
FL - 8'6" (Blanks Only)
TX - 8'6"

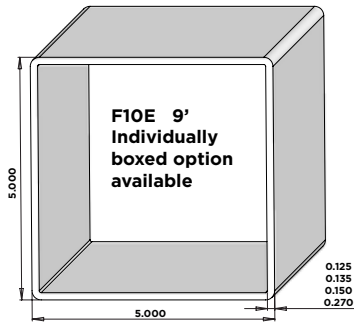
F10E (0.135 Wall)
5" x 5" Utility Post
Pcs/Pallet: 81 (16' & Over - 36 pcs)
AL - 6', 6'6", 7', 8', 8'6", 9', 10', 12', 16', 24'
F= Dark Gray (AL Only), L= Light Gray (AL Only)
NJ - 6', 6'6", 7', 8', 9', 12', 16', 24'
UT - 5', 6', 6'6", 7', 8', 9', 16', 24'
S= Sand (UT Only), H=Ash Gray (UT Only)
FL - 6', 8'6", 12'
TX - 6', 6'6", 7', 8', 8'6", 9', 10', 12'

F10J (0.125 Wall)
5" x 5" Utility Ranch Post
(Color Inside)
Pcs/Pallet: 81
AL - 5', 6'6", 7'
UT - 5', 6'6", 7'
TX - 5', 6'6", 7'

Bagging options available for 6"x6", 5"x5", and 4"x4" in truck load quantities. See Made To Order Guidelines.
Availability and profile dimensions are subject to change without notice. Check with manufacturer before ordering.
All dimensions are subject to manufacturer's tolerances. Gorilla is a registered trademark of Homeland Vinyl Products, Inc.

GORILLA® POSTS POSTS

HOMEWOOD OPTION



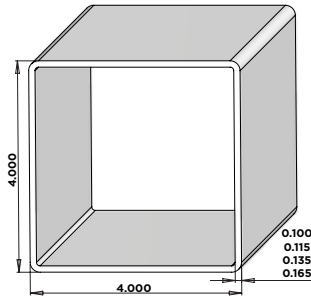
F10E 9'
Individually
boxed option
available

5" X 5" STANDARD POST

HOMEWOOD OPTION F10C ONLY
O=Mocha Walnut, A=Aspen Latte (AL Only),
I=Chai Gray, U=Green Teak

F10C (0.150 Wall)
5" x 5" Standard Post
Pcs/Pallet: 81 (16' & Over - 36 pcs)
AL - 6'6", 8', 9', 12', 16'
UT - 8', 16'

F10E (0.135 Wall)
5" x 5" Utility Post (Aspen Latte Only)
Pcs/Pallet: 81 (16' & Over - 36 pcs)
AL - 6'6", 8', 9', 12', 16'
UT - 8', 16'



4" X 4" (GORILLA®, STANDARD, UTILITY, VALUE) POST

W=White, T=Tan, D=Adobe

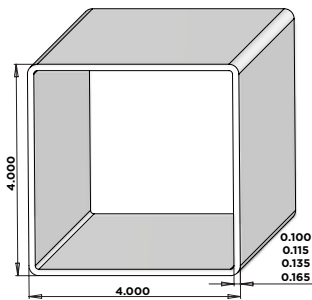
F12C (0.165 Wall)
4" x 4" Gorilla® Post
Pcs/Pallet: 121 (16' & Over - 55 pcs.)
AL - 9', 16', 24'
UT - 39", 45", 16'
TN - 7', 8', 9', 10', 12', 16', 24'

F12N (0.135 Wall)
4" x 4" Standard Post
Pcs/Pallet: 121 (16' & Over - 55 pcs.)
AL - 42", 48", 6', 75-1/2", 6'6", 7', 8', 9', 10', 12', 16',
24' F= Dark Gray (AL Only), L= Light Gray (AL Only)
UT - 6', 16'
TN - 42", 48", 6', 75-1/2", 6'6", 7', 8', 9', 10', 12',
16', 24'
TX - 6', 16' (Stocked in W & T only)

F12E (0.115 Wall)
4" x 4" Utility Post
Pcs/Pallet: 121 (16' & Over - 55 pcs.)
AL - 39", 42", 48", 6', 75-1/2", 6'6", 7', 8', 9', 10',
12', 16', 24'
TN - 39", 42", 48", 6', 75-1/2", 6'6", 7', 8', 9',
12', 16', 24'
K=Black: 48", 10' Bagged
UT - 6', 7', 16'

Please see Commodity Sheet for
bagged pricing.

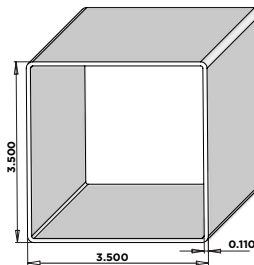
HOMEWOOD OPTION



4" X 4" STANDARD POST

HOMEWOOD OPTION F12N ONLY
O=Mocha Walnut, A=Aspen Latte (AL Only),
I=Chai Gray, U=Green Teak

F12N (0.135 Wall)
4"x4" Standard Post
Pcs/Pallet: 121 (16' & Over - 55 pcs.)
AL - 7', 8', 9', 16'
UT - 7', 8', 9', 16'

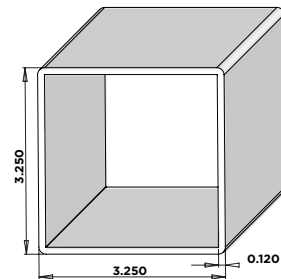


3-1/2" X 3-1/2" UTILITY POST

W=White, T=Tan, D=Adobe

F13E (0.110 Wall)
3-1/2" x 3-1/2" Utility Post
Pcs/Pallet: 156 (16' & Over - 78 pcs.)
AL - 6', 8', 16'
FL - 6' (Stocked in FL)

F13E LIMITED AVAILABILITY.
RUN ONLY ONCE OR TWICE
YEARLY.



3-1/4" X 3-1/4" STANDARD POST

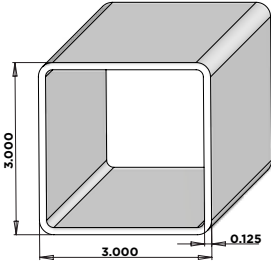
W=White, T=Tan, D=Adobe

F15S (0.120 Wall)
3-1/4" x 3-1/4" Standard Post
Pcs/Pallet: 98
AL - 16'

F15S LIMITED AVAILABILITY.
RUN ONLY ONCE OR TWICE
YEARLY.

Bagging options available for 6"x6", 5"x5", and 4"x4" in truck load quantities. See Made To Order Guidelines.
Availability and profile dimensions are subject to change without notice. Check with manufacturer before ordering.
All dimensions are subject to manufacturer's tolerances. Gorilla® is a registered trademark of Homeland Vinyl Products, Inc.

GORILLA® POSTS
POSTS • COLUMNS

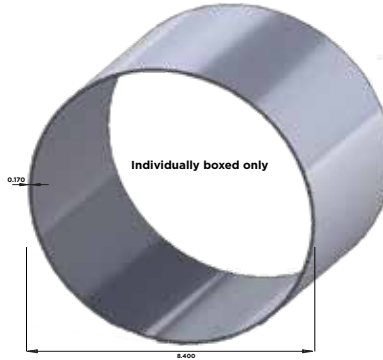


3" X 3" CO-EX STANDARD POST

W=White, T=Tan, D=Adobe

F14C (0.125 Wall)
 3" x 3" Co-Ex Standard Post
 Pcs/Pallet: 120
 AL - 16', 24'

F14C LIMITED AVAILABILITY.
RUN ONLY ONCE OR TWICE
YEARLY.

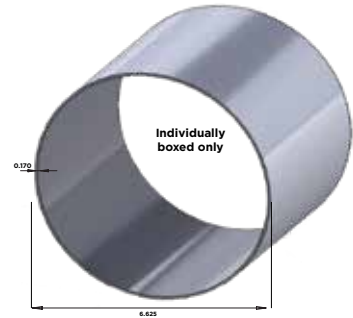


8.40" ROUND COLUMN

W=White, T=Tan, D=Adobe

TD84 (0.170 Wall)
 8.40" Round Column
 Pcs/Box: 1
 Boxes/Skid: 10
 Refer to Commodity Sheet for box costs.
SOLD IN SKID QUANTITIES ONLY
 AL - 9'

LIMITED AVAILABILITY.
RUN ONLY ONCE OR TWICE
YEARLY.



6.625" ROUND COLUMN

W=White, T=Tan, D=Adobe

TD64 (0.170 Wall)
 6.625" Round Column
 Pcs/Box: 1
 Boxes/Skid: 20
 Refer to Commodity Sheet for box costs.
SOLD IN SKID QUANTITIES ONLY
 AL - 9'

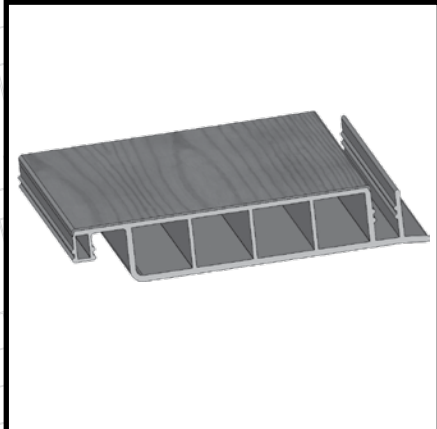
LIMITED AVAILABILITY.
RUN ONLY ONCE OR TWICE
YEARLY.

GORILLA DECK® & GORILLA® WOOD

Profiles & Accessories



DECK
GORILLA DECK®, STARTER, SPLICE TRIM, FINISH TRIM



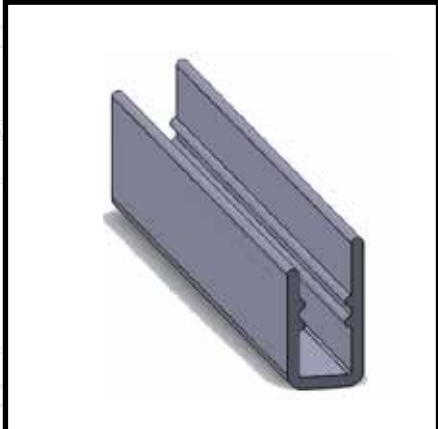
GORILLA DECK® G3

Patent #6,324,796

W=White, D=Adobe, L=Light Gray,
 F=Dark Gray, C=Chestnut, O=Mocha Walnut,
 U=Green Teak

F70E

Gorilla Deck® G3
 Pcs/Pallet: 49
 AL - 12', 16', 20', 24'

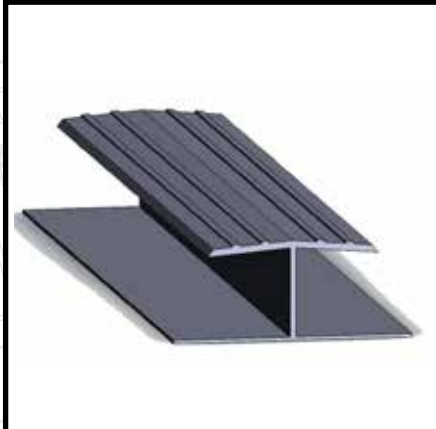


GORILLA DECK®
STARTER STRIP

W=White, D=Adobe, L=Light Gray,
 F=Dark Gray, C=Chestnut, O=Mocha Walnut,
 U=Green Teak

F73G

Gorilla Deck®
 Starter Strip
 Pcs/Box: 24
 AL - 12'6"



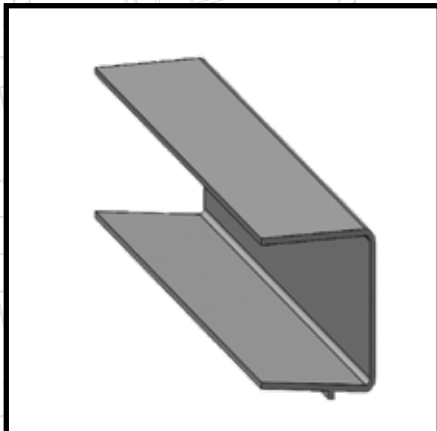
GORILLA DECK®
SPLICE TRIM

W=White, D=Adobe, L=Light Gray,
 F=Dark Gray, C=Chestnut, O=Mocha Walnut,
 U=Green Teak

F74G

Gorilla Deck®
 Splice Trim
 Pcs/box: 8
 AL - 12'6"

Use with Gorilla Deck only.



GORILLA DECK®
FINISH TRIM

W=White, D=Adobe, L=Light Gray,
 F=Dark Gray, C=Chestnut, O=Mocha Walnut,
 U=Green Teak

F75G

Gorilla Deck®
 Finish Trim
 Pcs/box: 20
 AL - 12'6"



GORILLA DECK®
FASCIA TRIM

W=White, D=Adobe, L=Light Gray,
 F=Dark Gray, C=Chestnut, O=Mocha Walnut,
 U=Green Teak

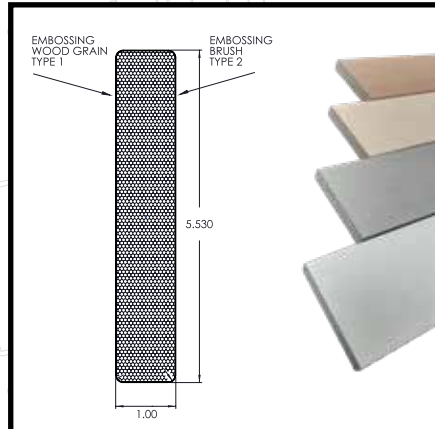
F76G

Gorilla Deck®
 Fascia Trim
 Pcs/box: 24
 AL - 12'6"

Availability and profile dimensions are subject to change without notice. Check with manufacturer before ordering.
 All dimensions are subject to manufacturer's tolerances. Gorilla® is a registered trademark of Homeland Vinyl Products, Inc.

DECK

GORILLA WOOD DECK BOARD & FASCIA



GORILLA® WOOD DECK BOARD

D=Adobe, L=Light Gray, F=Dark Gray, C=Chestnut

F7A1
 Gorilla Wood
 1" x 5.5" Deck Board
 Pcs/Pallet: 60 (20' & 24')
 64 (12' & 16')

TN - 12', 16', 20', 24'



GORILLA® WOOD FASCIA BOARD

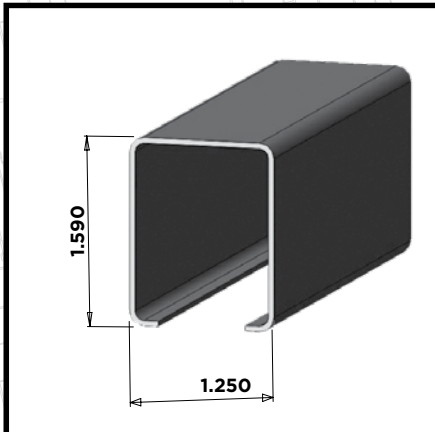
W=White (MTO), D=Adobe, L=Light Gray, F=Dark Gray, C=Chestnut

F7A2
 Gorilla Wood
 Fascia Board
 Pcs/Pallet: 40
 TN - 12'

Availability and profile dimensions are subject to change without notice. Check with manufacturer before ordering. All dimensions are subject to manufacturer's tolerances. Gorilla® is a registered trademark of Homeland Vinyl Products, Inc.

INSERT STIFFENER

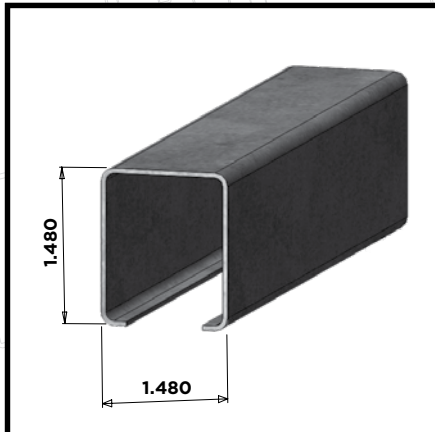
ALUMINUM INSERTS, STEEL INSERTS



1-1/2" STEEL INSERT - POCKET RAIL

G3RFH121-18
 1-1/2" Steel Insert - Pocket Rail
 18 Gage
 320 Pieces Per Bundle
 UT- 71" (G3RFH121-18-71),
 93" (G3RFH121-18-93)
 TX- 93" (G3RFH121-18-93)

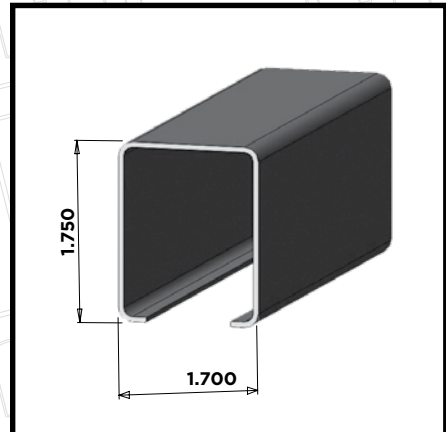
Used with:
1-1/2" Pocket Rails



1-3/4" STEEL INSERT - POCKET RAIL

G3RFM147-18
 1-3/4" Steel Insert
 18 Gage
 320 Pieces Per Bundle
 AL- 93" (G3RFM147-18-93)
 NJ- 93" (G3RFM147-18-93)
 FL- 93" (G3RFM147-18-93)
 UT- 93" (G3RFM147-18-93)

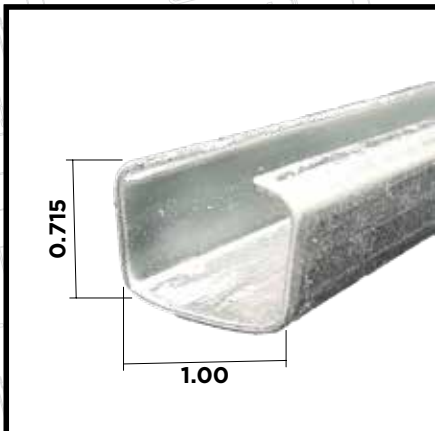
Used with:
1-3/4" Pocket Rails



2" STEEL INSERT - 2" POCKET RAIL

G3RFH148-18
 2" Steel Insert - 2" Rail
 18 Gage
 280 Pieces Per Bundle
 AL- 93" (G3RFH148-18-93)
 NJ- 93" (G3RFH148-18-93)
 UT- 71" (G3RFH148-18-71)

Used with:
2" Pocket Rails



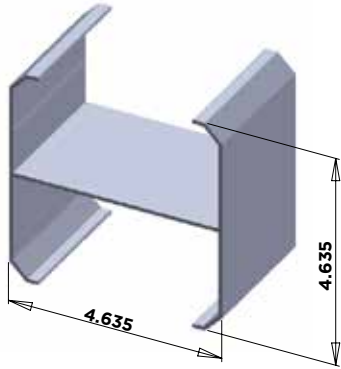
1" STEEL T&G INSERT

G3RFP225
 1" Steel T&G Insert
 18 Gage
 200 Pieces Per Bundled
 AL- 62" (G3RFP255U-62)
 68-3/4" (G3RFP255U-68C)
 UT- 60" (G3RFP255U-60)
 68-3/4" (G3RFP255U-68C)

Used with:
T & G Pickets

Availability and profile dimensions are subject to change without notice. Check with manufacturer before ordering.
 All dimensions are subject to manufacturer's tolerances.

**INSERT STIFFENER
ALUMINUM INSERT**

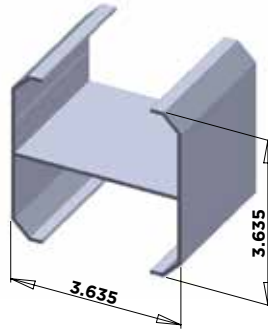


**5" X 5" ALUMINUM
INSERT**

G10HA288-69243
5" x 5"

AL - 24'
Per Piece

**Used with:
5" x 5" post
(Not Gorilla wall post)**

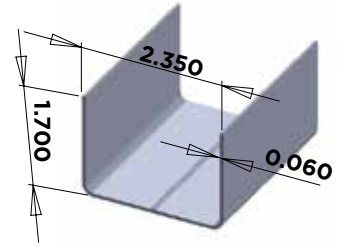


**4" X 4" ALUMINUM
INSERT**

G12HA288-69312
4" x 4"

AL - 24'
Per Piece

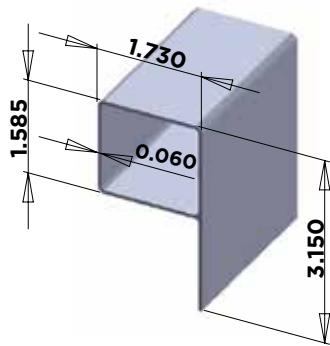
**Used with:
4" x 4" post
(Not Gorilla wall post)**



**2-1/8" X 2-3/4" DOWN
- ALUMINUM INSERT**

G26CH288-6922
2-1/8" x 2-3/4" Down

AL - 24'
Per Piece

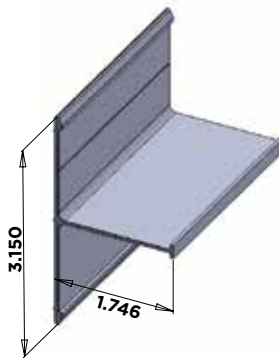


2" X 3-1/2" & T-RAIL

G24PA288-69227
2" x 3-1/2" & T-Rail

AL - 24'
120 Pieces per Bundle

**Used with:
Rectangular Guard Rail,
T-Rail, Contour and
Deck-over Guard Rail**

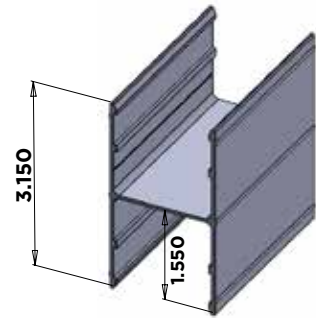


T-BOTTOM RAIL

G24TA096-55028
T-Bottom Rail

AL - 72", 8'
For bottom rail only
120 Pieces per Bundle

**Used with:
Residential Guard Rail
Systems
Bottom Rail Only**



**H-RAIL - ALUMINUM
INSERT**

G24HA096-55026
H-Rail

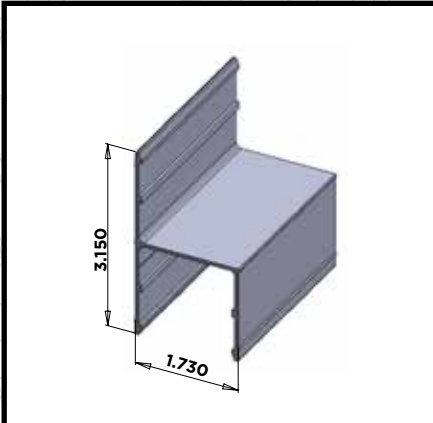
AL - 8'
For top rail only
120 Pieces per Bundle

**Used with:
Residential Guard Rail
T-Rail Only (8' Spans)**

Availability and profile dimensions are subject to change without notice. Check with manufacturer before ordering.
All dimensions are subject to manufacturer's tolerances.

INSERT STIFFENER

ALUMINUM INSERTS, NEXUS®1 & NEXUS® 2

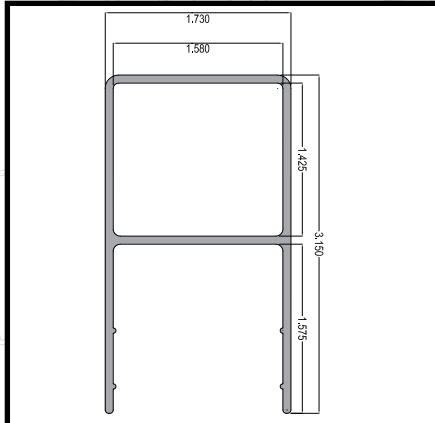


SMALL H - ALUMINUM INSERT

G24hA072-55027
Small h

AL - 72"
For top rail only
120 Pieces per Bundle

Used with:
Most Residential Guard Rail
(6' Spans)
Not Deck-over Guard Rail

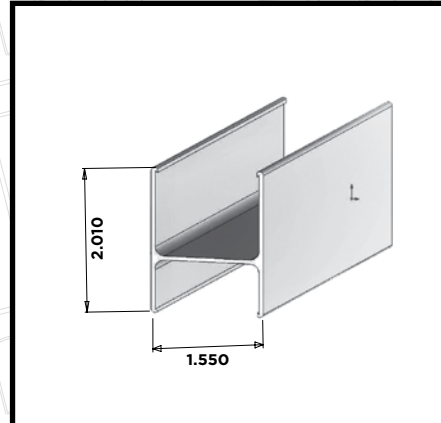


SUMMIT 2 ALUMINUM "A" - ALUMINUM INSERT

G24AA120-2612
A Channel

AL - 10'
For top rail only
120 Pieces per Bundle

Used with:
Summit 2 T-Rail Guard Rail
(10' Spans)
Not Deck-over Guard Rail



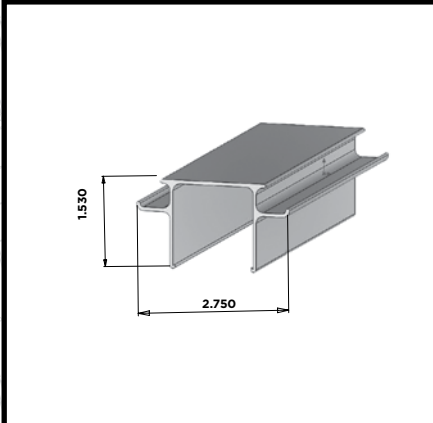
1-3/4" X 2-1/4" NEXUS® BOTTOM ALUMINUM

GMB
1-3/4" x 2-1/4" Nexus' Bottom
Aluminum Insert

AL - 71-3/8", 95-3/8", 119-3/8"
Pcs/Pallet: 216

Used with:
Nexus 1 and Nexus 2
Bottom Rail

BOTTOM RAIL



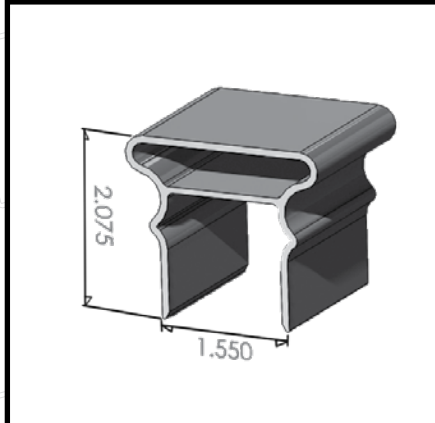
1-3/4" NEXUS® 1 T-RAIL - TOP ALUMINUM INSERT

GMT
1-3/4" Nexus' T-Rail Top
Aluminum Insert

AL - 71-3/8", 95-3/8", 119-3/8"
Pcs/Pallet: 216

Used with:
Nexus 1
Top Rail

TOP RAIL



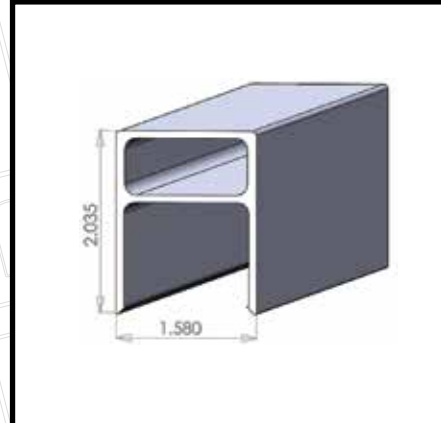
1-3/4" NEXUS® 2 T-RAIL - TOP ALUMINUM INSERT

G42C
1-3/4" Nexus' T-Rail Top
Aluminum Insert

AL - 71-3/8", 95-3/8", 119-3/8"
Pcs/Pallet: 216

Used with:
Nexus 2
Top Rail (96" Spans)

TOP RAIL



1-3/4" NEXUS® 2 T-RAIL - ALUMINUM "A" INSERT

GMXZY
1-3/4" Nexus' 2 T-Rail
Aluminum "A" Insert

AL - 71-3/8", 95-3/8", 119-3/8"
Pcs/Pallet: 216

TOP RAIL

Availability and profile dimensions are subject to change without notice. Check with manufacturer before ordering.
All dimensions are subject to manufacturer's tolerances.

INDEX

Product and Descriptions	Part #	Page #	Product and Descriptions	Part #	Page #
COLUMNS, GORILLA® COLUMNS - PAGE 28			POCKET RAILS, PRIVACY FENCE - PAGES 7-10		
8.40" Round Column	TD84	28	2" x 8" Nexus® Pocket Rail	F3P8	8
6.625" Round Column	TD64	28	1-1/2" x 8" Gorilla® Pocket Rail	F3P1	8
DECK, GORILLA DECK® - PAGES 29-31			2" x 7" Sun Pocket Rail	FFS7	8
Gorilla Deck® G3	F70E	30	2" x 7" Nexus® Pocket Rail	F3P2	8
Gorilla Deck® Starter Strip	F73G	30	1-3/4" x 7" Nexus® Pocket Rail	F3P7	8
Gorilla Deck® Splice Trim	F74G	30	2" x 7" Gorilla® Pocket Rail	F3BF	8
Gorilla Deck® Finish Trim	F75G	30	1-3/4" x 5-1/2" Nexus® Pocket Rail	F3P5	9
Gorilla Deck® Fascia Trim	F76G	30	1-3/4" x 5-1/2" Nexus® Mid-Rail	F3PM	9
Gorilla® Wood Deck Board	F7A1	31	1-3/4" x 5-1/2" Gorilla® Pocket Rail	F37C	9
Gorilla® Wood Fascia Board	F7A2	31	1-1/2" x 5-1/2" Gorilla® Pocket Rail	F32G	9
FASCIA, GORILLA® POST WRAPS, FOR DECKING - PAGES 23-24			2" x 7" Hometown Pocket Rail	F3HT	10
1-3/4" x 10' Gorilla® Post Wrap			POSTS, GORILLA® POSTS - PAGES 25-28		
Corner Trim	FMWC	24	8" x 8" Standard Post	F06C	26
4" x 10' Gorilla® Post Wrap			6-1/2" x 6-1/2" Gorilla® Post	F08S	26
Coverage Slat	FMW4	24	6-1/2" x 6-1/2" Post	F08E	26
6" x 10' Gorilla® Post Wrap			6" x 6" Standard Post	F09C	26
Coverage Slat	FMW6	24	5" x 5" Gorilla® Post	F10K	26
8" x 10' Gorilla® Post Wrap			5" x 5" Standard Post	F10C	26
Coverage Slat	FMW8	24	5" x 5" Utility Post	F10E	26
10" x 10' Gorilla® Post Wrap			5" x 5" Utility Ranch Post	F10J	26
Coverage Slat	FMW0	24	5" x 5" Economy Post	F10M	26
12" x 10' Gorilla® Post Wrap			4" x 4" Gorilla® Post	F12C	27
Coverage Slat	FMW2	24	4" x 4" Standard Post	F12N	27
GATE BRACE, FENCE/SPECIALTY PRODUCT - PAGE 14			4" x 4" Utility Post	F12E	27
Gate Support Brace	F86S	14	3-1/2" x 3-1/2" Utility Post	F13E	27
GORILLA® FENCE, PRIVACY FENCE - PAGE 16			3-1/4" x 3-1/4" Standard Post	F15S	27
5" x 5" Gorilla® H-Post	FTG1	16	3" x 3" Co-Ex Standard Post	F14C	28
1-1/2" Gorilla® Post Insert	FTG2	16	POST WRAPS - PAGES 23-24		
1-3/4" Gorilla® Fence U-Channel	FTG3	16	8 PIECE GORILLA® POST WRAPS		
GORILLA® PICKET CHANNEL, FENCE/SPECIALTY PRODUCT - PAGE 14			1-3/4" x 10' Gorilla® Post Wrap		
Gorilla® Picket Channel	FTG4	14	Corner Trim	FMWC	24
HAND RAILING, GORILLA® GUARD RAIL - PAGES 16-18			4" x 10' Gorilla® Post Wrap		
2" x 3-1/2" SUMMIT®, T-RAIL, CONTOUR			Coverage Slat	FMW4	24
2" x 3-1/2" Hollow Utility Rail	F24E	17	6" x 10' Gorilla® Post Wrap		
2" x 3-1/2" Hollow Standard Rail	F24C	17	Coverage Slat	FMW6	24
3-1/2" Gorilla® T-Rail	F35C	17	8" x 10' Gorilla® Post Wrap		
3" Contour Rail	F36S	17	Coverage Slat	FMW8	24
NEXUS® 1-3/4" x 2-1/4"			10" x 10' Gorilla® Post Wrap		
1-3/4" x 2-1/4" Nexus® Rail	F3PB	18	Coverage Slat	FMW0	24
1-3/4" Nexus®1 T-Rail	F34C	18	12" x 10' Gorilla® Post Wrap		
1-3/4" Nexus®2 T-Rail	F3N2	18	Coverage Slat	FMW2	24
SPECIALTY			4 PIECE GORILLA® POST WRAPS		
4-1/2" Gorilla® Rail	FTB	18	4" x 4" x 10' Gorilla® Post Wrap -		
Palisade Rail	FHP1	18	4 Piece	FPW4	24
2-1/8" x 2-3/4" Standard Rail	F26S	18	6" x 6" x 10' Gorilla® Post Wrap -		
INSERTS, ALUMINUM & STEEL STIFFENERS - PAGES 32-35			4 Piece	FPW6	24
5" x 5" Aluminum Insert	G10HA288-69243	34	PRIVACY PICKETS, PRIVACY FENCE - PAGES 10-11		
4" x 4" Aluminum Insert	G12HA288-69312	34	7/8" x 11.3" Gorilla® T&G	F61S	10
2-1/8" x 2-3/4" Down -			7/8" x 6" Gorilla® T&G	F54G	10
Aluminum Insert	G26CH288-69228	34	7/8" x 6" Homewood® T&G	F54C	11
2" x 3-1/2" & T-Rail	G24PA288-69227	34	7/8" x 6" Gorilla® Locking Picket	F54L	10
1-3/4" x 2-1/4" Nexus® Bottom			7/8" x 14" Gorilla® Privacy		
Aluminum Insert	GMB	35	No Emboss Panel	F55B	11
1-3/4" Nexus®1 T-Rail -			7/8" x 6" Ribbed Standard	F56R	11
Top Aluminum Insert	GMT	35	RAILS, FENCE - PAGES 11-13, 17 & 18		
1-3/4" Nexus®2 T-Rail -			2" x 8" Ribbed Rail	F20R	11
Top Aluminum Insert	G42C	35	2" x 8" Hollow Rail	F20S	11
1-3/4" Nexus®2 T-Rail -			2" x 6" Hollow Rail	F22E	11
Aluminum "A" Insert	GMXZY	35	2" x 6" Ribbed Rail	F22C	12
T-Bottom Rail Insert	G24TA096-55028	34	2" x 3-1/2" Hollow Utility Rail	F24E	13, 17
H-Rail - Aluminum Insert	G24HA096-55026	34	2" x 3-1/2" Hollow Standard Rail	F24C	17
Small H - Aluminum Insert	G24hA072-55027	35	2-1/8" x 2-3/4" Standard Rail	F26S	18
1-1/2" Steel Insert - Pocket Rail	G3RFH121-18	33	1-1/2" x 5-1/2" Ribbed Utility Rail	F27E	12
1-3/4" Steel Insert	G3RFM147-18	33	1-1/2" x 5-1/2" Utility Value Rail	F27M	12
2" Steel Insert - 2" Rail	G3RFH148-18	33	1-1/2" x 5-1/2" Homewood®		
1" Steel T&G Insert	G3RFP255U	33	Ribbed Rail	F27C	12
LATTICE CHANNEL, FENCE/SPECIALTY PRODUCT - PAGE 14			1-3/4" x 3-1/2" Hollow Standard Rail	F25B	12
3/4" Lattice Channel	F89S	14	1-1/2" x 2-3/4" Standard Rail	F23S	13
PICKETS, FENCE & GUARD RAILS - PAGES 19-22			TRIM CHANNEL, FENCE/SPECIALTY PRODUCT - PAGE 13		
1-3/4" x 1-3/4" Standard Pickets	F41S	20	7/8" Trim Channel	F83U	13
1-1/2" x 1-1/2" Standard Pickets	F42S	20	U-CHANNEL, FENCE/SPECIALTY PRODUCT - PAGE 13		
1-3/8" x 1-3/8" Standard Pickets	F43C	20	7/8" U-Channel Standard	F83S	13
1" x 1" Standard Pickets	F45S	20			
1-1/4" x 1-1/2" Standard Pickets	F47S	21			
7/8" x 1-1/2" Standard Pickets	F65S	21			
7/8" x 3" Standard Pickets	F57C	21			
7/8" x 3" Spade Picket	F57C-SPC	21			
7/8" x 3" Dog Ear Picket	F57C-DEC	21			
1-1/2" x 1-1/2" Standard Pickets	F42S-SPD	22			
1" x 2" Standard Pickets	F48S	22			
1" x 4" Utility Pickets	F49U	22			
2" x 3-1/2" Hollow Utility Rail	F24E	17			
2" x 3-1/2" Hollow Standard Rail	F24C	17			
2-1/8" x 2-3/4" Standard Rail	F26S	18			

TERMS AND CONDITIONS

TERMS OF PAYMENT – Terms of payment are set forth on the invoice. If no payment terms are listed on the invoice, then the default terms of payment are payment in full at time of shipment. Payment may be made by check (subject to check clearing), ACH electronic fund transfer, or wire transfer. Payment may be made by credit card only with prior written approval by an authorized Homeland Vinyl Products, Inc. (“Homeland”) representative – additional fees may apply. At Homeland’s request, Customer shall complete or update an Application for Trade Account signed by a corporate officer, managing member, partner, or owner. Customer agrees that prior to Homeland providing or extending credit terms, Homeland shall have the right to demand financial information, including financial data, credit checks, and payment history. Credit terms are subject to change at Homeland’s sole discretion. Homeland reserves the right to withhold shipment on any order for customer accounts that are in arrears until the accounts are paid in full. Customer agrees that accounts not paid within terms will be charged interest at the rate of 1.5% per month, and Customer agrees to pay all amounts due, including interest, fees, and costs of collection upon demand by Homeland. Prices are subject to change without notice.

PLACING ORDERS – All orders must be submitted in writing to Homeland, and must describe with specificity part numbers, color, detailed descriptions, and quantities. Illegible orders will not be accepted. All orders are subject to Homeland’s acceptance, approval, and these Terms and Conditions, whether or not these Terms and Conditions are included in Homeland’s written confirmation to Customer.

CANCELLATION – Following Homeland’s written confirmation of Customer’s order, Customer shall not be permitted to cancel, whether in whole or part, any order and shall be obligated to pay the entire invoice.

SHIPMENT – All prices are F.O.B. Homeland Vinyl Products Inc. Origin Freight Collect, unless otherwise set forth on the invoice or otherwise agreed upon in writing signed by an authorized Homeland representative. Products listed on the invoice (the “Products”) are invoiced at Homeland’s prices prevailing at time of shipment. Method, origin, and route of shipment are subject to Homeland’s sole discretion unless Customer and an authorized Homeland representative agree in writing to other explicit shipping instructions. Customer bears any and all shipping expenses and costs in excess of those charges explicitly acknowledged in writing by an authorized Homeland representative. Customer is exclusively responsible for providing Homeland a correct shipping address.

FORCE MAJEURE & DELAYS – Homeland is not and shall not be liable for any obligations, delays, or damages incurred by Customer under any purchase order, invoice, or other agreement between the parties if Homeland’s non-performance is or was due to a Force Majeure Event, as described here: any act of God; war; riot; civil strife; act of terrorism, domestic or foreign; embargo; government rule, regulation, or decree; flood, fire, hurricane, tornado, or other casualty; epidemic, pandemic, outbreak of communicable disease, viral outbreak, or quarantine; national or regional emergency; action of any governmental authority; earthquake; strike; lockout, or other labor disturbance; the unavailability of labor or materials to the extent beyond the control of Homeland; any delay in the performance of orders or in the delivery of shipments of products; or any other events or circumstances not within the reasonable control of Homeland, whether similar or dissimilar to any of the foregoing. Upon occurrence of a Force Majeure Event, Homeland shall promptly notify the Customer that such an event has occurred and its anticipated effect on performance, including its expected duration if known. Notwithstanding the foregoing, no Force Majeure Event experienced by Homeland shall excuse Customer’s obligation to make payments due and owing prior to such event.

TAXES – Any and all sales taxes, manufacturer taxes, excise taxes or other charges levied or imposed by any governmental authority, agency or entity, foreign or domestic, upon any Products sold or contracted to be sold shall be paid by Customer and appropriate tax exemption certificates must be delivered in such form to Homeland and with such content as are satisfactory to Homeland.

INSPECTION AND ACCEPTANCE – CUSTOMER SHALL CAREFULLY EXAMINE ALL PRODUCTS DESCRIBED IN THE INVOICE IMMEDIATELY UPON DELIVERY. CUSTOMER MUST PROVIDE HOMELAND WITH WRITTEN NOTICE OF ANY ALLEGED DEFECTIVE PRODUCT WITHIN SIXTY (60) DAYS AFTER DELIVERY. CUSTOMER’S FAILURE TO NOTIFY HOMELAND IN WRITING OF ANY DEFECTS IN THE PRODUCTS WITHIN SIXTY (60) DAYS AFTER DELIVERY CONSTITUTES THE UNQUALIFIED ACCEPTANCE OF SUCH PRODUCTS AND THE WAIVER BY CUSTOMER OF ANY AND ALL CLAIMS OR DEFENSES WITH RESPECT THERETO. Customer is exclusively responsible to unload all Products. Within forty-eight (48) hours of Customer’s receipt of each shipment, Customer shall inspect the shipment and compare all containers and Products to the packing list for the shipment. If the quantities received and the quantities on the packing list are not the same, Customer shall notify Homeland immediately. Within forty-eight (48) hours of Customer’s receipt of each shipment, Customer is responsible to inspect packaging materials and products for dents, tears, breakages, or other visible damage to packaging or products, and to note such matters on shipping documents provided to the freight carrier and Homeland. If Customer fails to notify Homeland within 48 hours after receipt of any such matters, Homeland shall no longer be responsible or liable for damaged items or items missing from the shipment.

CUSTOMER’S EXCLUSIVE REMEDY – The exclusive remedy of Customer shall be limited to any of the following: (1) the replacement of any defective Product by Homeland, (2) the return of any defective Product and refund of the purchase price by Homeland, or (3) the issuance of a credit by Homeland in an amount equal to the purchase price paid by Customer for any defective Product. The selection of any of the aforesaid exclusive remedies shall be at Homeland’s sole discretion. In the event Customer requests a credit for any defective Product, Customer agrees (1) such product shall no longer be covered by Homeland’s warranty, (2) Homeland expressly disclaims any warranty, written or implied, associated with such product, and (3) Customer shall defend and indemnify Homeland against any and all claims associated with such product that Customer thereafter delivers, distributes or sells to third parties.

LIMITED WARRANTY – Homeland warrants that the Products are free of defects in materials and workmanship as set forth in Homeland’s warranty located at www.homelandvinyl.com.

WARRANTY DISCLAIMERS – THE LIMITED WARRANTY AND EXCLUSIVE REMEDY DESCRIBED ABOVE ARE EXPRESSLY IN LIEU OF ANY OTHER REMEDIES AND WARRANTIES, EXPRESSED OR IMPLIED, ON THE PART OF HOMELAND CONCERNING THE PRODUCTS. HOMELAND DISCLAIMS, WITHOUT LIMITATION, ANY IMPLIED WARRANTIES OF MERCHANTABILITY AND FITNESS FOR A PARTICULAR PURPOSE. HOMELAND DISCLAIMS ANY WARRANTIES NOT EXPRESSLY SET FORTH IN HOMELAND’S WRITTEN WARRANTY SET FORTH AT www.homelandvinyl.com. HOMELAND NEITHER ASSUMES NOR AUTHORIZES ANY OTHER PERSON, FIRM OR CORPORATION TO OBLIGATE HOMELAND WITH RESPECT TO ANY LIABILITY OR OBLIGATIONS IN CONNECTION WITH THE SALE OF HOMELAND PRODUCTS. CUSTOMER ACKNOWLEDGES THAT NO REPRESENTATION EXCEPT THOSE MADE HEREIN HAVE BEEN MADE TO CUSTOMER BY OR ON BEHALF OF HOMELAND CONCERNING THE PRODUCTS AND THAT CUSTOMER HAS NOT AND WILL NOT RELY ON ANY OTHER REPRESENTATIONS REGARDING WARRANTIES OR QUALITY OF HOMELAND PRODUCTS EXCEPT AS SET FORTH IN HOMELAND’S WARRANTY SET FORTH AT www.homelandvinyl.com. CUSTOMER AND ANY THIRD PARTIES TO WHOM IT SELLS THE PRODUCTS ARE EXCLUSIVELY RESPONSIBLE FOR DETERMINING WHETHER THE PRODUCTS MEET APPLICABLE LAWS OR LOCAL BUILDING CODES AND WHETHER PRODUCTS ARE SUITABLE FOR THE INTENDED USES OF END-USERS, AND CUSTOMER AGREES HOMELAND IS NOT RESPONSIBLE FOR DETERMINING SUITABILITY FOR INTENDED USES OR SATISFACTION OF APPLICABLE LAWS OR BUILDING CODES.

RISK OF LOSS – Unless otherwise specified herein, all prepaid expenses (e.g., freight, special handling charges such as after-hours loading, etc.) will be added to the order at time of invoicing and described on the invoice. RISK OF LOSS SHALL PASS TO CUSTOMER UPON DELIVERY OF THE PRODUCTS BY HOMELAND TO THE CARRIER, AND CUSTOMER’S SOLE RECOURSE FOR DAMAGE TO OR LOSS OF GOODS IN TRANSIT SHALL BE AGAINST THE CARRIER. HOMELAND WILL PROVIDE NO INSURANCE UNLESS CUSTOMER HAS MADE SPECIFIC ARRANGEMENTS PRIOR TO SHIPMENT AND HOMELAND HAS CONFIRMED SUCH ARRANGEMENTS IN WRITING.

RETURNED MERCHANDISE – All returns of Products for credit must have the prior written approval of an authorized Homeland representative and must be for justifiable reasons. Any credit extended for such approved returns will be based on the invoice price of the returned Products at time of purchase by Customer less a restocking charge of 20%. No Products shall be returned for credit which have been damaged or otherwise rendered unusable, unless otherwise approved in writing by an authorized Homeland representative. Custom and special order items will not be accepted for return. All returned Products shall be returned freight prepaid by Customer with Customer assuming the risk of loss until Homeland receives the Products.

ADDITIONAL LIMITATIONS ON LIABILITY – The invoice, including these Terms and Conditions, sets forth the sole and exclusive remedies available to the Customer and that Homeland’s liabilities to Customer are limited as set forth herein. Homeland has not granted or assumed any other warranties, guarantees, duties, liabilities, or obligations, expressed, implied, statutory, at law or in equity. No breach of warranty or breach of contract or other failure by Homeland to fulfill any other duties or conditions shall constitute a failure of the essential purpose of the exclusive limited remedies set forth herein. HOMELAND SHALL UNDER NO CIRCUMSTANCES BE LIABLE FOR SPECIAL, INCIDENTAL, EXEMPLARY, PUNITIVE, INDIRECT, OR CONSEQUENTIAL DAMAGES, including, but not limited to, any damages related or attributable to loss of profits, anticipated revenue, interest, loss of use, loss by reason of plant or facility shutdown, nonoperation, cost of substitute products, equipment, facilities or services, additional usage of utilities, cost incurred in removing defective or nonconforming Products or equipment, delays in installation of the work or the completion of any projects in which equipment is being installed, or other claims arising from any cause whatsoever, whether or not such loss or damage is based in contract, warranty, tort (including negligence), strict liability, indemnity, contribution or otherwise. Customer agrees Homeland shall have no liability whatsoever unless Customer makes payment in full to Homeland for the Products.

DISPUTES – In the event of Customer’s failure to pay amounts due under any invoice, and if Customer has failed to notify Homeland of defective product claims pursuant to the procedures set forth in these Terms and Conditions, Customer agrees to waive any defenses to Homeland’s demands and claims for payment. These Terms and Conditions shall be governed by the laws of the State of Utah (without regard to the conflicts of law provisions thereof). Customer hereto consents to the jurisdiction of the state and federal courts located in Salt Lake County, Utah as the exclusive jurisdiction of the resolution of any claims or disputes related hereto. CUSTOMER WAIVES ANY RIGHT TO A TRIAL BY JURY IN ANY JURISDICTION.

SEVERABILITY – In the event that a court of competent jurisdiction determines that a provision or provisions of the invoice, including these Terms and Conditions, is (are) void or unenforceable, such determination shall in no way affect the validity of enforceability of the remaining provisions hereof.

ENTIRE AGREEMENT – These Terms and Conditions, together with any invoice from Homeland, set forth the entire agreement between Homeland and Customer concerning the Products, and may not be changed or modified except in a writing signed by Homeland and Customer. No representations, understandings, or agreements have been made to or relied upon by Customer other than those specifically set forth in the invoice. Customer agrees that Homeland’s Terms and Conditions apply exclusively to the parties’ commercial relationship, unless otherwise agreed upon in a writing signed by Customer and an authorized Homeland representative. By purchasing Homeland’s Products, Customer agrees that any and all terms, conditions or other contractual provisions provided in any writing or communication sent by Customer are null, void, unenforceable, and of no legal effect upon Homeland.