



## **Privacy Panel & Gate Install Instructions**



**Refer to the Fence Fabrication Guidelines for up to date information.  
<http://homelandvinyl.com/resources/documents/>**

---

(205) 854-4330

[www.homelandvinyl.com](http://www.homelandvinyl.com)

---

### **Recommended tool kit:**

**Post leveler  
4ft level  
string  
tape measure.**

## INSTALLATION:

Recommended to check local codes and ordinances, if fence permits are required.

**\*\* DO NOT DIG\*\*** in the vicinity of any underground utility services. Check with your local utility services before proceeding.

## Fence Layout

### Step One

Locate property line and all underground utilities.

### Step Two

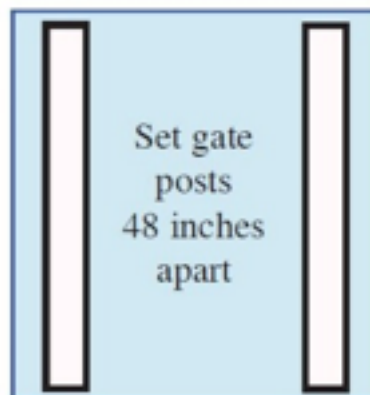
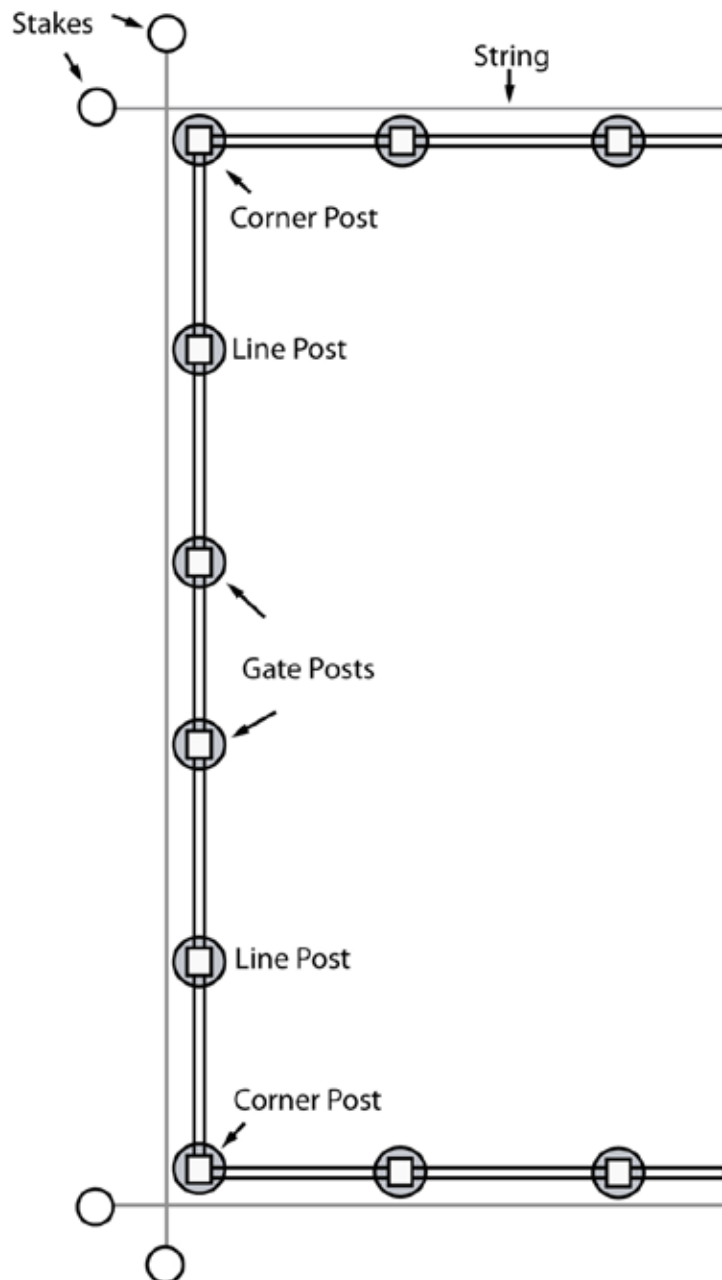
Using a string line and stakes, layout the desired fence application. If fence layout is on the property line, stay 4-6 inches in from the line to ensure concrete footings do not go over the property line.

### Step Three

Using Mark location of the posts with a marker or marker paint. The measurement in between posts will be the size of your fence.

*For example:*

*For a 4ft. gate, set the posts 48 inches apart. The gate will be 1-1/2 inch smaller, to allow for hardware.*



## INSTALLATION:

### Step Four

With marker paint, layout remaining post holes to 8ft. on center section or 6ft. section on center for 6ft. section.

### Step Five

Begin to dig holes, approximately 7-8 inches in diameter. The depth of hole varies with the length of the posts and should be checked with local codes and ordinances.

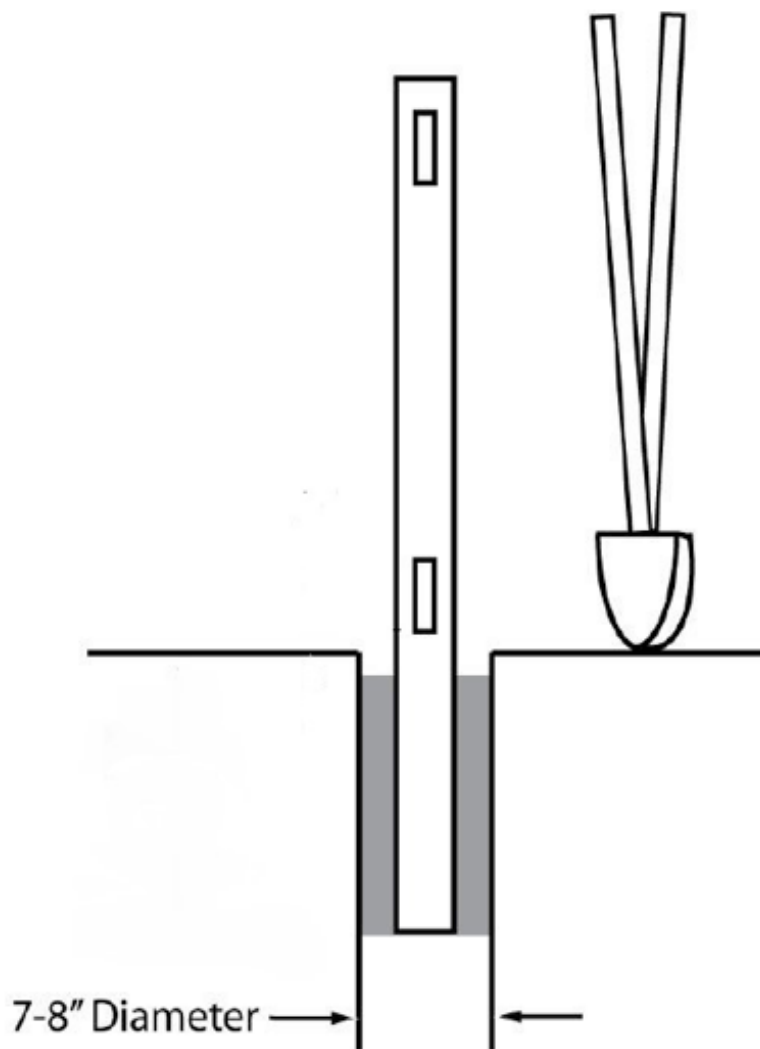
## Setting the Posts

### Step Six

Position post in hole. Center the post, then square with the fence line, ensuring when the rails are placed, they will be parallel to the string line. Check each post with a level and adjust, if necessary, to ensure each is plumb.

### Step Seven

Pour concrete around posts up to ground level. Make sure there is no concrete inside the post, for this may cause water draining issues and the post may freeze and crack in colder climates. You may use wet concrete per following concrete instructions. You may use dry concrete, but we recommend pouring water around the posts for dry concrete, following concrete instructions. Concrete will set in approximately 24 hours. Repeat this step until all post are set and you are ready to assemble panels and install gate, if you have one.



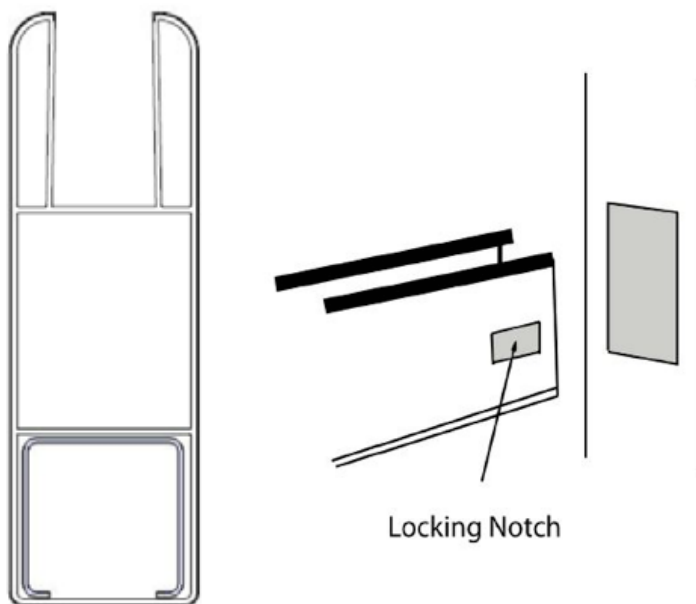
## Assembling Panel Bottom Rail:

### Step Eight

Note: All bottom rails must have reinforcement inserts.

Slide the bottom rails into the cutouts in the post. Slightly slide back to make sure the pocket rail locking notches have locked inside post.

*Example: Use the bottom hole for proper placement of the insert and the opening should be facing down towards the bottom of the pocket rail as in the picture shown above.*

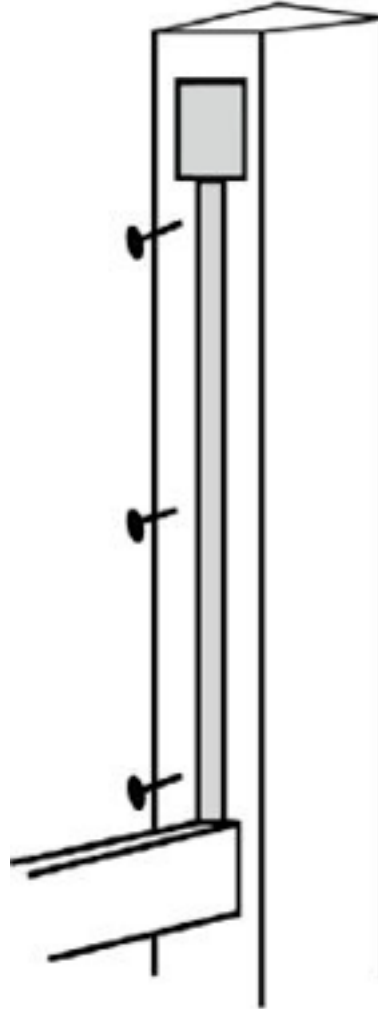


## INSTALLATION:

### ***Assembling Panel U-Channel:***

#### **Step Nine**

Place u-channels on the side of the posts, between the top and bottom of the rail cutouts. We recommend you secure these with three stainless #8 3/4 inch self-drilling screws (not included). Repeat this step, installing all u-channels.

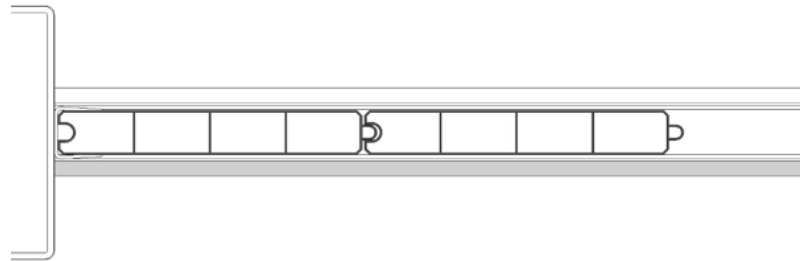


---

### ***Assembling Panel Pickets:***

#### **Step Ten**

Begin on one end. Place the first picket into the bottom rail and u-channel. Going down the panel, insert the pickets in the bottom rails, interlocking tongue and groove as you assemble.

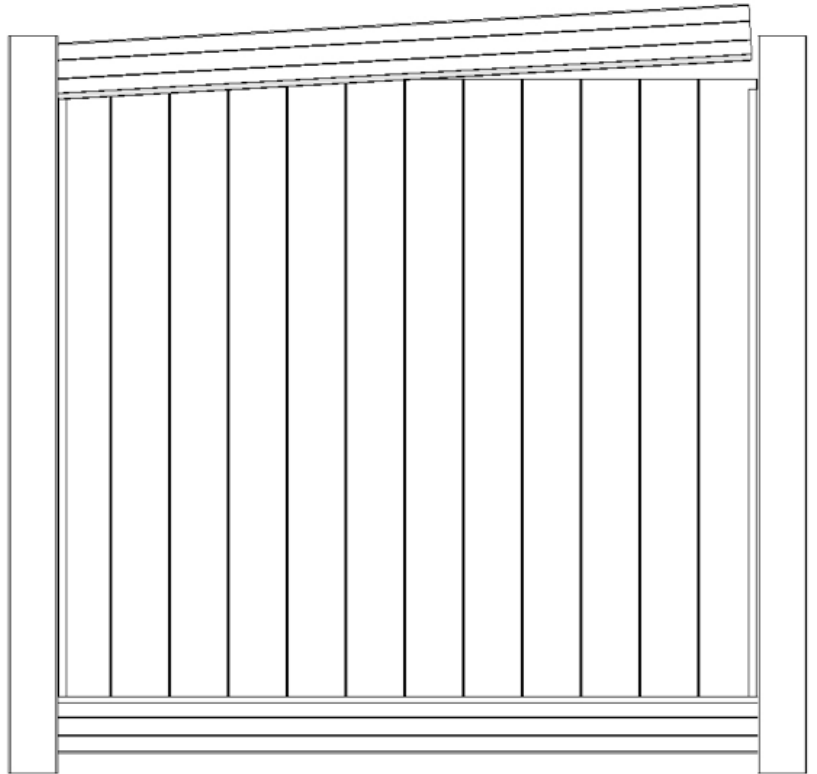


## INSTALLATION:

### *Assembling Panel Top Rail:*

#### **Step Eleven**

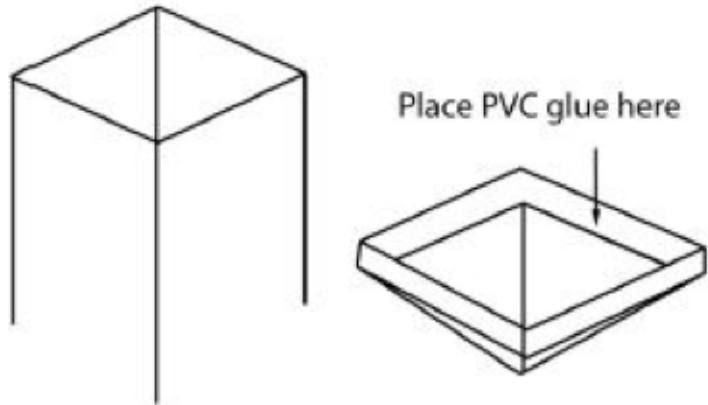
Place one end of the top rail into a post and guide it to the corresponding post, inserting pickets into the top rail as you go. After all pickets are installed slide the loose end of the rail into the second post.



### *Post Caps:*

#### **Step Twelve**

Apply PVC glue inside the bottom perimeter of the cap and press securely onto the top of the post. Make sure the cap is on the post as far as it will go.

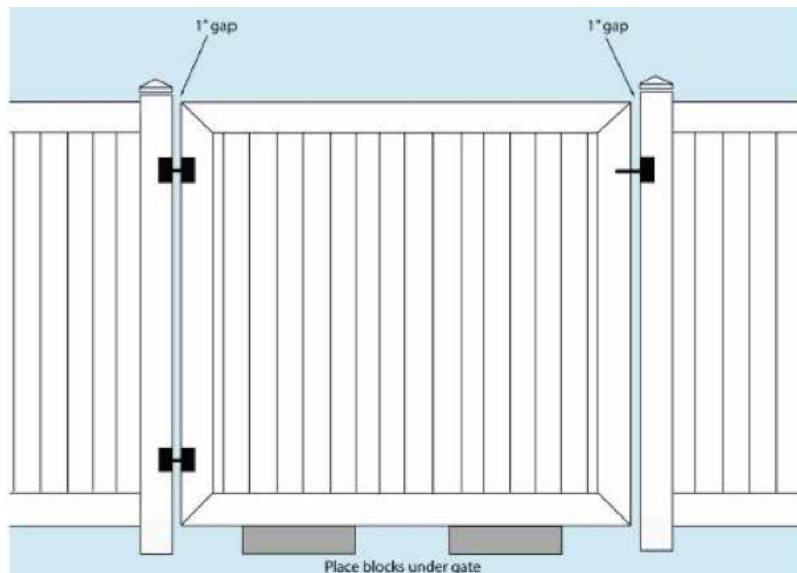


## INSTALLATION:

### *Hang Gates:*

#### **Step Thirteen**

Position the gate in the gate opening. Block up the gate, lining up the horizontal rails of the gate with the fence rails. For hinge placement, it is recommended that you place the top hinge 4-6 inches from the top of the gate frame and the bottom hinge 4-6 inches from the bottom of the bottom rail. For latch installation, follow the pre-packaged instructions included with latch.



### *After Purchase Vinyl Care:*

Follow proper installation instructions.

Avoid exposure of any vinyl to unusual or excessive heat sources (e.g., outdoor fire pits, grills, glass window or glass door reflections) or installation adjacent to areas that may absorb heat such as concrete, asphalt, or dark-colored gravel.

Darker colors, such as Mocha Walnut, may become hot to the touch after prolonged exposure to direct sunlight. This effect can be mitigated with umbrellas, awnings or other shade producing fixtures.

Loose dirt can be cleaned with mild soap and water. Any cleaning products should be tested in an inconspicuous area before being applied on the full vinyl surface.

Do NOT paint the PVC.

Spray-on sunscreen or bug spray products may cause discoloration of the product surface. It is recommended that such products be applied either indoors, off the deck, away from fence and rail, or in such a manner that oversprayed product will not come in contact with the vinyl.

Avoid using rubber mats on any vinyl, as they may discolor the deck surface.

Download Instructions and Literature at:  
<http://homelandvinyl.com/resources/documents/>

