



# 2025 CATALOG

PROFILES + EXTRUSIONS + INSERTS

*Homeland: 800.999.6813 | [www.Homelandvinyl.com](http://www.Homelandvinyl.com)*

*Updated 11-05-2024*

24-310- M1116-24H

# Table of Contents

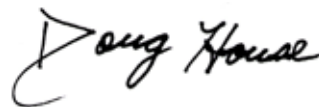
3.....	<b>Homeland Company Statement</b>	18.....	<b>Gorilla Guard Rail</b>
4.....	<b>Item Key</b>	21.....	<b>Pickets</b>
4.....	<b>Declaration of Principles</b>	25.....	<b>Gorilla Wrap</b>
5.....	<b>Made To Order (MTO) Program</b>	27.....	<b>Gorilla Posts</b>
6.....	<b>Fabrication Guidelines</b>	30.....	<b>Gorilla Columns</b>
7.....	<b>Fence Profiles</b>	31.....	<b>Gorilla Deck®</b>
	<b>Pocket Rail .....</b>	33.....	<b>Gorilla Wood Deck/Fascia</b>
	<b>Privacy Pickets .....</b>	34.....	<b>Insert / Stiffeners</b>
	<b>Rails .....</b>	38.....	<b>Index</b>
	<b>U-Channel / Trim.....</b>	39.....	<b>Terms and Conditions</b>
	<b>Gate Brace .....</b>		
	<b>Tuf-Fence .....</b>		
	<b>Gorilla Fence.....</b>		

## IMPORTANT NOTE FROM HOMELAND MANAGEMENT:

**HOMELAND HAS THE COLORS!** We offer a full palette of 14 distinctive colors for even your most unique client's customization needs. We are proudly introducing a new color, Aspen Latte to our Homewood Series. We are also adding Dark Gray and Light Gray in privacy fence. Please contact your representative for more details. \*Note\* Some colors may not be available in all profiles or markets.

We regularly update and revise our catalog to meet the needs of our customers and stay ahead of the dynamic markets we service. This catalog is available online at [www.homelandvinyl.com](http://www.homelandvinyl.com) and we invite you to check back regularly for new offerings.

We at Homeland Vinyl truly value our relationships with you, our loyal customers. We know the recent years have not been easy, but hopefully, we've made it better together with cooperation and compromise. After a fine-tuning of processes on all sides, we're certain of a secure partnership and successful future.



# HOMELAND VINYL

## COMPANY STATEMENT

Homeland Vinyl Products, Inc. is dedicated to delivering high quality products and excellent service to our customers without exception. We understand the importance of our customers' success in the Fence, Deck, Railing and Outdoor Living Products markets. We value our relationships with our customers and pledge that we will operate at the highest level of integrity.

## CUSTOMER ACCOUNTS

All sales are subject to Homeland's Terms and Conditions which are available at the end of this catalog and at [www.homelandvinyl.com](http://www.homelandvinyl.com). Homeland Vinyl Products, Inc. only sells wholesale and all sales require establishing a Trade Account. Contact a Homeland Sales Representative about initiating the process for the establishment of a Trade Account with Homeland. Prices and terms are subject to change without notice.

## LIMITED WARRANTY

Homeland warrants that the products we manufacture are free of defects in materials and workmanship as described in our published warranties. Products distributed by Homeland, but not manufactured by Homeland, are covered only under the original manufacturer's warranty. Additional warranty information is available at [www.homelandvinyl.com](http://www.homelandvinyl.com).




&


## At Your Finger Tips!

- Available on Apple or Android
- Download Catalogs, Warranties, Technical Data, Brochures, Flyers and more!
- View Colors & Photos
- View Products by Profiles
- View Install Diagrams
- Easy to use for Suppliers, Contractors and Homeowners!



**TERMS AND CONDITIONS OF SALE ARE SPECIFIED WITH ORDER CONFIRMATION AND ATTACHED TO EVERY INVOICE.**

## ITEM KEY EXPLANATION

### COLOR CODES

<b>Light Colors:</b>	W - White, T - Tan, L - Light Gray
<b>Medium Colors:</b>	S - Sand, D - Adobe, A - Aspen Latte, G - Gray
<b>Dark Colors:</b>	F - Dark Gray, I - Chai Gray, H - Ash Gray, U - Green Teak, O - Mocha Walnut, C - Chestnut (Decking Only)

### INVENTORY CODES

<b>F54U</b>	<b>W</b>	<b>064</b>	<b>346</b>
Profile	Color	Length	Pieces
Code	Code	in Inches	per Bundle

Refer to profile sheet to obtain the profile code for the product you are ordering.  
Always review your order confirmation with descriptions to ensure order accuracy.

When ordering a length that is fractional, use  
the following list to determine the proper code for the length you require.

1/4" - A	1/2" - B	3/4" - C	1/8" - D
3/8" - E	5/8" - F	7/8" - G	11/16" - H

Example: 64-1/2" would be 64B

## HOMELAND VARIEGATED COLORS

Homeland's Homewood colors are variegated with irregular patterns and streaks. A randomized streaking process makes every piece different. Although each named Homewood color begins with a controlled base color, due to the randomness of the streakers, even the background color appearance will vary throughout and between runs. Please be aware of this before ordering and installing Homewood. Information and Best Practices for purchasing and installing Homewood colors can be found at: <http://homelandvinyl.com/HomewoodBP>

## Declaration of Principles Fence, Deck, and Rail Business



Homeland Vinyl Products, Inc. is committed to the highest standards of quality in its Fence, Deck, and Rail business - both in the products it manufactures and the manner in which its business is conducted. Since Homeland's success is directly linked to the success of its customers, Homeland pledges to develop, fabricate and market innovative and successful Vinyl Fence, Deck, and Rail products.

Our commitment to our customers has three major components:

- Product Quality*
- Innovation and Leadership*
- Customer Service and Support*

Through quality, innovation, and an unwavering commitment to customer satisfaction, Homeland Vinyl Products, Inc. is building a secure and prosperous future for itself and its customers.

# MADE TO ORDER “MTO” PROGRAM

Some profiles and lengths are only available as “Made To Order” (MTO) and will only be produced as can be reasonably accommodated. Typical requirements for MTO requests are listed below but are subject to change. All MTO requests are subject to a credit review, Customer Service approval, and Production acceptance.

## MTO Classification

- I. **Special Lengths:**  
Requires a 12 bundle minimum of one profile, one color, and only one length.  
No stock. Must be authorized for shipment upon completion or will be invoiced. Twice yearly max.
- II. **Proprietary and Exclusivity Profiles:**  
By special arrangement and typically run no more than once or twice a year.  
Dependent upon volume orders. Must ship within 30 days of completion or will be invoiced. No stock.
- III. **Special and Low Volume Profiles:**  
Typically run once or twice a year.  
Standard lengths and colors only.  
No special lengths.

Contact your Homeland representative for information on the MTO program. MTO item requests must be submitted in writing via e-mail or fax. Not all requests can be accommodated. Customer Account must be in good standing and current before MTO requests will be considered. MTO requests are not accepted until approved and confirmed in writing. Cash in Advance customers may be required to make payment at time of order acceptance. Once confirmed, the order cannot be canceled by customer. Orders must ship complete once ready, leaving no back-orders. Lead-times for MTO items cannot be estimated until requests have been approved and confirmed. MTO items may only be produced a very limited number of times per year. Please plan ahead and make any MTO requests as early as possible to take advantage of each production run on MTO profiles. Due to the infrequent running of MTO items, and depending on the item, it may be a number of weeks before an answer can be given on an MTO request. Minimum purchase quantity required of the same profile and color for all MTO items. Requirements may vary by profile. Homeland will try to accommodate reasonable requests, but MTO orders will ship and be invoiced shortly after completion. Except as otherwise noted here, Homeland's Terms and Conditions apply to all MTO requests accepted as orders. Details and requirements of this program are subject to change without notice. Consult your Homeland representative for additional details.



Homeland Vinyl Products is the North American Leader in PVC Fence, Deck, and Rail. We take great pride in the products offered and our wide selection of colors, which is a better choice than wood or composites.

Homeland manufactures the toughest PVC profiles with the most advanced UV protection under the sun - our ACCU-Shield® formulation.

ACCU-Shield® is a protective outer layer engineered to significantly reduce oxidation and the damaging effects of the sun's ultraviolet rays. Even in harsh and changing climates,

ACCU- Shield® protects the color and sheen of our products for a longer period.

Homeland not only provides the highest quality PVC fence, deck, and rail products you can buy, but also confidently backs our products with a limited Lifetime Warranty.

Homeland Vinyl has over a half-century of experience in PVC manufacturing, a proven quality control program, and a strong warranty. Homeland stands by our American-Made products and strives to provide the best performance and protection for your investment.

Homeland's solid reputation and dedication to quality products is what you should demand.

# HOMELAND FENCE BEST PRACTICES

Homeland offers 4 levels of Fence Colors:

**WHITE**

**LIGHT:** Tan, Light Gray

**MEDIUM:** Sand, Adobe, Aspen Latte, Gray

**DARK:** Dark Gray, Chai Gray, Ash Gray, Green Teak, Mocha Walnut

These guidelines are for all levels of fence colors, with additional guidelines added for Medium and Dark colors at the end.

**Prior to installation, download and review Homeland Vinyl Products (HVP) Privacy and Gate Installation at: <http://homelandvinyl.com/resources/documents/>**

**All levels of color:**

1. Avoid heat sources:
  - Do not use any clear wrapping or shrink wrap during storage or transportation. Make sure any wrap or protection of the profiles does not absorb and retain heat. It will cause warping.
  - Do not store or install product next to a heat source.
  - Avoid installing the product near reflective surfaces (e.g. glass windows and glass doors), which can concentrate sunlight and heat the product.
  - Avoid installing the product on or adjacent to materials that can radiate absorbed heat such as concrete, asphalt, or dark-colored gravel.
2. Make sure all metal stiffeners are in the correct orientation for the rail as used.
3. Make sure all rails are notched, pinned or plated.
4. U-channel trim must be secured with 3 screws to the post to help stabilize T&G boards. Please refer to the Privacy Fence Installation Guide for placement (Image C).
5. Product expansion and contraction is temperature dependent and will be more prominent in longer lengths and darker colors. Please take this into account during installation.
  - Make sure rail ends have at least 1 inch clearance of each other when inserted into posts for 6' spans, and at least 1.5 inch

**Homeland Vinyl Products does not warranty bowing of pickets. Please make sure of proper installation to reduce all of the factors mentioned.**

clearance on 8 foot spans. This will allow for adequate expansion and contraction of rails within the posts and prevent bowing.

- Make sure pickets are cut for adequate clearance within the rail pocket to allow for thermal expansion. If the pickets are binding against the rail, they will cause excessive bowing with thermal expansion.
- When dealing with installation on slopes, ensure that there is adequate clearance for pickets inside of the rail and cut picket at a slight angle if necessary.

6. Do not put dirt or mulch against rails. It could cause rails to permanently bow out.

**In addition to guidelines 1-9, please consider the following information regarding HVP Medium and Dark colored products:**

**Medium Colors:**

7. For horizontal privacy pannel installations, HVP approved metal picket stiffeners must be used to reduce T&G bowing. HVP approved metal stiffeners must be used in bottom rails.

**Dark Colors:**

8. Scratches will be more evident in darker colors. Use caution when transporting and installing the products.

9. HVP approved metal stiffeners must be used in all rails.

- For vertical privacy pannel installations, mid-rail or HVP approved metal picket stiffeners must be used to reduce T&G bowing.

- For horizontal privacy pannel installations, HVP approved metal picket stiffeners must be used to reduce T&G bowing. (Image D).

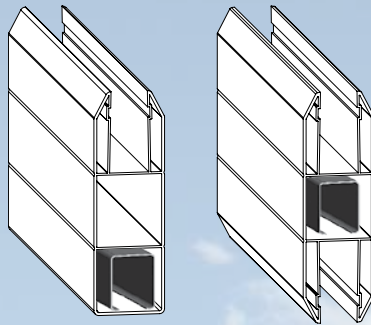
10. HVP does not recommend installing horizontal privacy pannel sections wider than 6' on center.

Homeland Vinyl Products does not warranty bowing of pickets or sagging rails. Please make sure of proper installation to reduce all of the factors mentioned.

## Proper Reinforcement, Placement & Orientation Is Important !

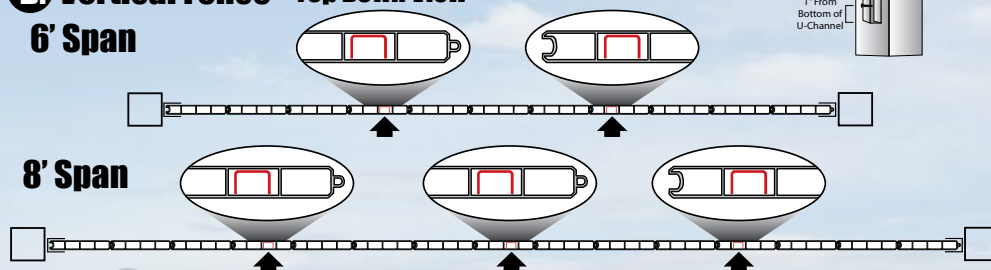
**A. 5-1/2", 7" and 8" Nexus or Gorilla Pocket Rail & Mid-Rail**

Proper steel insert orientation shown for bottom rail. Reverse for top rail.

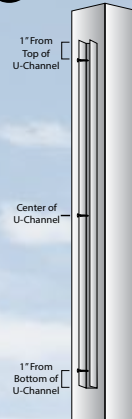


**B. Vertical Fence - Top Down View 6' Span**

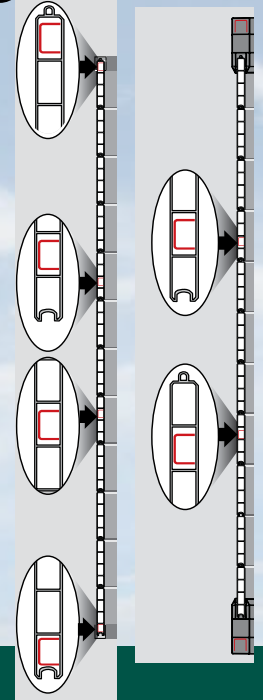
**8' Span**



**C. U-Channel**



**D. Horizontal Fence**

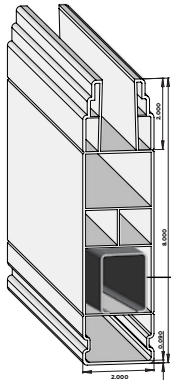


# FENCE

## Profiles



# PRIVACY FENCE POCKET RAIL



Proper G3RFH148 steel insert orientation shown for bottom rail. Reverse for top rail.

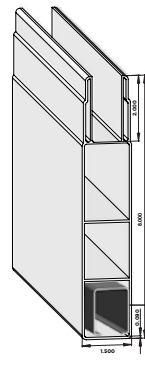
## 2" X 8" NEXUS® POCKET RAIL

W=White, T=Tan, D=Adobe

### F3P8

2" x 8" Nexus® Pocket Rail  
(7/8" x 2" Pocket)  
Pcs/Pallet: 55  
AL - 70", 94"

F3P8 LIMITED AVAILABILITY.  
RUN ONLY ONCE OR TWICE  
YEARLY.



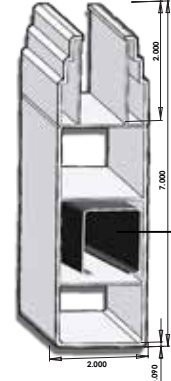
Proper G3RFH121 steel insert orientation shown for bottom rail. Reverse for top rail.

## 1-1/2" X 8" GORILLA® POCKET RAIL

W=White, T=Tan, D=Adobe

### F3P1

1-1/2" x 8" Gorilla® Pocket Rail  
(7/8" x 2" Pocket)  
Pcs/Pallet: 72  
UT - 71-1/2", 76", 83", 94", 16'



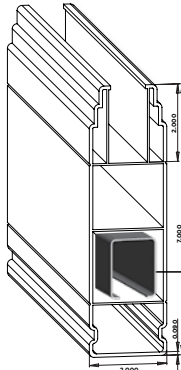
Proper G3RFH148 steel insert orientation shown for bottom rail. Reverse for top rail.

## 2" X 7" SUN POCKET RAIL

W=White, T=Tan, D=Adobe

### FFS7

2" x 7" Sun Pocket Rail  
(7/8" x 2" Pocket)  
Pcs/Pallet: 66  
NJ - 94", 12', 16'



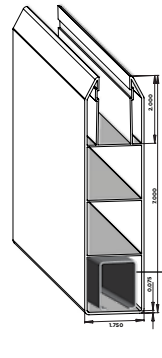
Proper G3RFH148 steel insert orientation shown for bottom rail. Reverse for top rail.

## 2" X 7" NEXUS® POCKET RAIL

W=White, T=Tan, D=Adobe,  
F= Dark Gray (AL Only), L= Light Gray (AL Only)

### F3P2

2" x 7" Nexus® Pocket Rail  
(7/8" x 2" Pocket)  
Pcs/Pallet: 66  
AL - 70", 94", 16"  
NJ - 70", 94", 16"



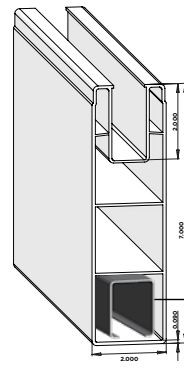
Proper G3RPM147 steel insert orientation shown for bottom rail. Reverse for top rail.

## 1-3/4" X 7" NEXUS® POCKET RAIL

W=White, T=Tan, D=Adobe  
F= Dark Gray (AL Only), L= Light Gray (AL Only)

### F3P7

1-3/4" x 7" Nexus® Pocket Rail  
(7/8" x 2" Pocket)  
Pcs/Pallet: 72  
AL - 70", 94", 16"  
FL - 70" (Stocked in FL)  
UT - 94"  
NJ - 94" (Stocked in NJ)



Proper G3RFH148 steel insert orientation shown for bottom rail. Reverse for top rail.

## 2" X 7" GORILLA® POCKET RAIL

W=White, T=Tan, D=Adobe

### F3BF

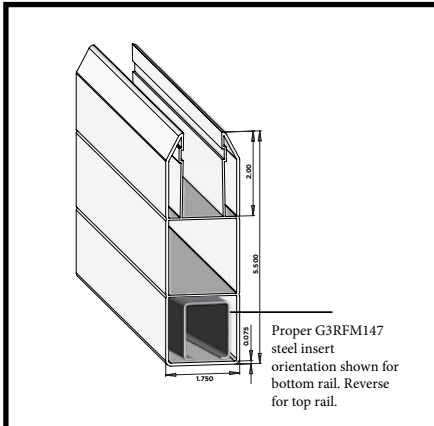
2" x 7" Gorilla® Pocket Rail  
(7/8" x 2" Pocket)  
Pcs/Pallet: 66  
NJ - MTO

F3BF LIMITED AVAILABILITY.  
RUN ONLY ONCE OR TWICE  
YEARLY.

Availability and profile dimensions are subject to change without notice. Check with manufacturer before ordering.  
All dimensions are subject to manufacturer's tolerances. Nexus® is a registered trademark of Homeland Vinyl Products, Inc.  
Gorilla® is a registered trademark of Homeland Vinyl Products, Inc.



# PRIVACY FENCE POCKET RAIL

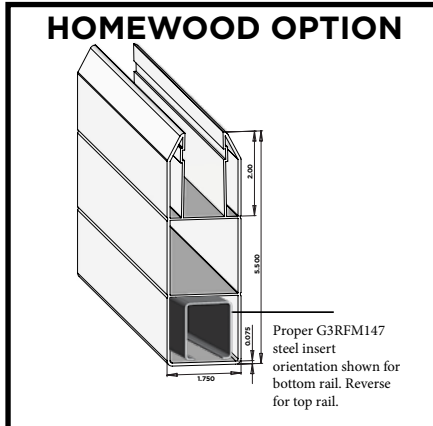


## 1-3/4" X 5-1/2" NEXUS® POCKET RAIL

W=White, T=Tan, D=Adobe,  
F= Dark Gray (AL Only), L= Light Gray (AL Only)

**F3P5**  
1-3/4" x 5-1/2" Nexus® Pocket Rail  
(7/8" x 2" Pocket)  
Pcs/Pallet: 98  
AL - 70", 94", 16'

Note: 16' Insert Required Separately

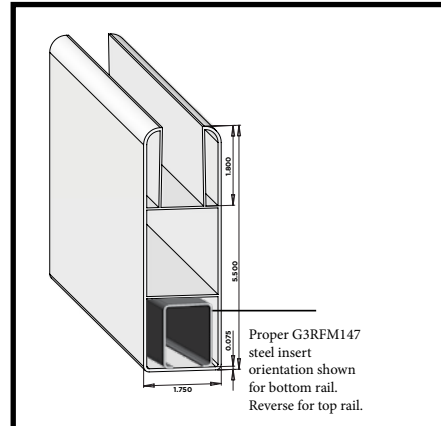


## 1-3/4" X 5-1/2" NEXUS® POCKET RAIL

**HOMEWOOD OPTION F3P5 ONLY**  
O=Mocha Walnut, A=Aspen Latte,  
I=Chai Gray, U=Green Teak

**F3P5**  
Pcs/Pallet: 98  
AL - 94" (With Steel Inserted),  
16'  
UT - 94" (With Steel Inserted),  
71-1/2" (With Steel Inserted)

Note: 16' Insert Required Separately

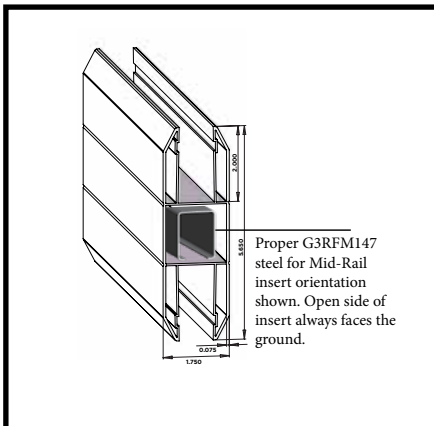


## 1-3/4" X 5-1/2" GORILLA® POCKET RAIL

W=White, T=Tan, D=Adobe,  
F= Dark Gray (AL Only), L= Light Gray (AL Only)

**F37C**  
1-3/4" x 5-1/2" Gorilla® Pocket Rail  
(7/8" x 1 3/4" Pocket)  
Pcs/Pallet: 98

AL - 70", 94", 16'  
NJ - 70", 94", 16'  
FL - 70", 94"  
UT - 71-1/2", 94", 16'  
TX - 94"

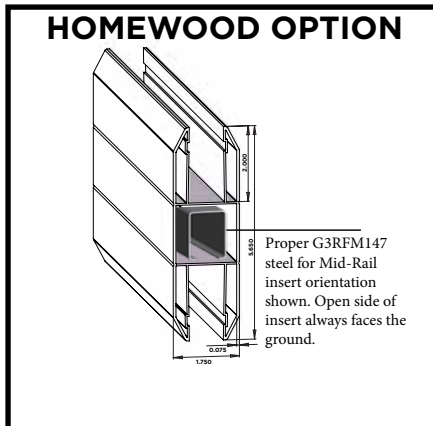


## 1-3/4" X 5-1/2" NEXUS® MID-RAIL

W=White, T=Tan, D=Adobe,  
F= Dark Gray (AL Only), L= Light Gray (AL Only)

**F3PM**  
1-3/4" x 5-1/2" Nexus® Mid-Rail  
(7/8" x 2" Pocket)  
Pcs/Pallet: 98  
AL - 70", 94", 16'

Note: 16' Insert Required Separately

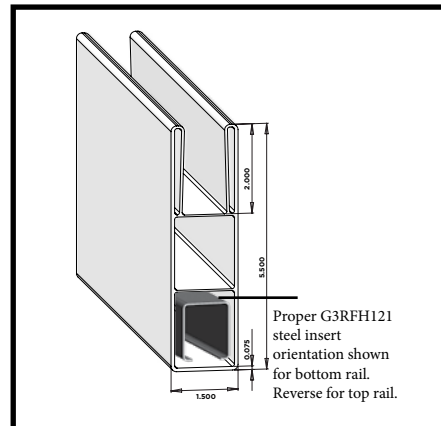


## 1-3/4" X 5-1/2" NEXUS® MID-RAIL

**HOMEWOOD OPTION F3PM ONLY**  
O=Mocha Walnut, A=Aspen Latte,  
I=Chai Gray, U=Green Teak

**F3PM**  
Pcs/Pallet: 98  
AL - 94" (With Steel Inserted),  
16'  
UT - 94" (With Steel Inserted),  
71-1/2" (With Steel Inserted),  
16'

Note: 16' Insert Required Separately



## 1-1/2" X 5-1/2" GORILLA® POCKET RAIL

W=White, T=Tan, D=Adobe

**F32G**  
1-1/2" x 5-1/2" Gorilla® Pocket Rail  
(7/8" x 2" Pocket)  
Pcs/Pallet: 114

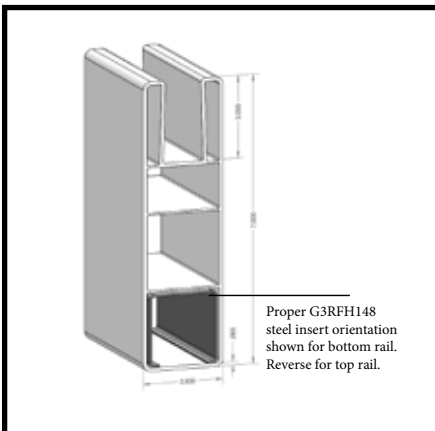
UT - 71-1/2", 76", 83", 94", 16'  
TX - 70", 94", 16'

Note: 16' Insert Required Separately

Availability and profile dimensions are subject to change without notice. Check with manufacturer before ordering. All dimensions are subject to manufacturer's tolerances. Gorilla is a registered trademark of Homeland Vinyl Products, Inc. Nexus is a registered trademark of Homeland Vinyl Products, Inc.

# PRIVACY FENCE

## POCKET RAIL • PRIVACY PICKETS

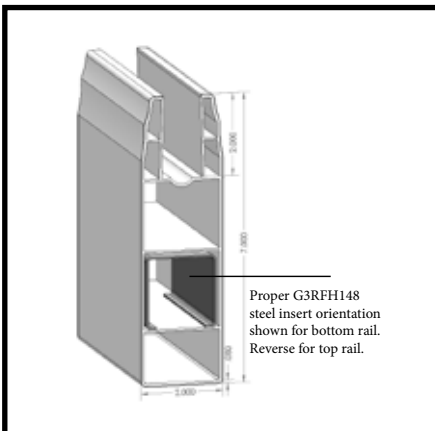


**2" X 7" HOMETOWN  
POCKET RAIL**

W=White, T=Tan, D=Adobe

**F3HT**

2" x 7" Hometown Pocket Rail  
(7/8" x 2" Pocket)  
Pcs/Pallet: 66  
NJ - 94", 16'



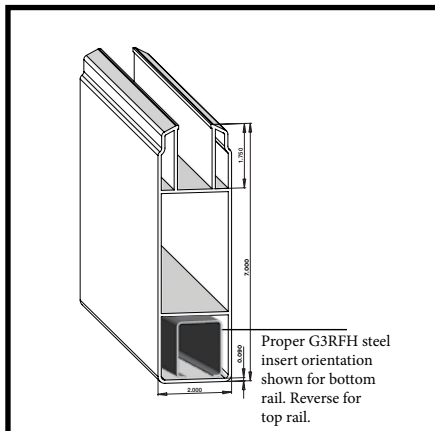
**2" X 7" MAJESTIC  
POCKET RAIL**

W=White, T=Tan

**F3MJ**

2" x 7" Majestic Pocket Rail  
(7/8" x 2" Pocket)  
Pcs/Pallet: 66

NJ - MTO



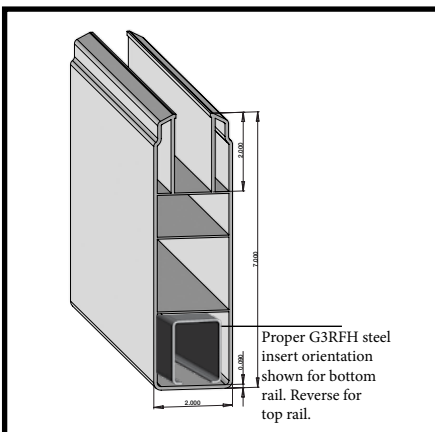
**2" X 7" KEYSTONE WEST  
POCKET RAIL**

W=White, T=Tan

**FKW7**

2" x 7" Keystone West Pocket Rail  
(7/8" x 1 3/4" Pocket)  
Pcs/Pallet: 66

UT - MTO



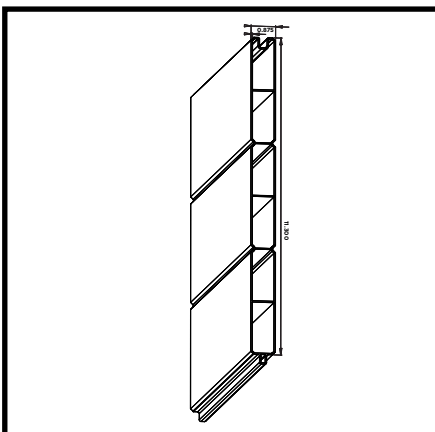
**2" X 7" KEYSTONE EAST  
POCKET RAIL**

W=White, T=Tan, D=Adobe

**FKE7**

2" x 7" Keystone East Pocket Rail  
(7/8" x 2" Pocket)  
Pcs/Pallet: 66

AL - MTO



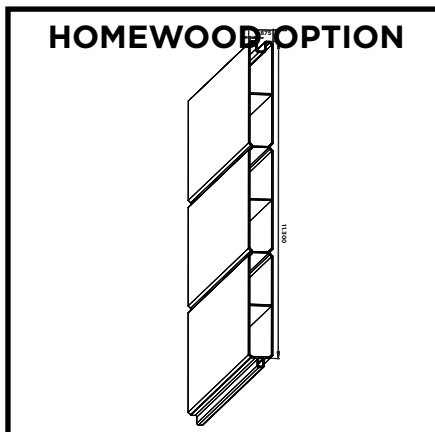
**7/8" X 11.3" GORILLA®  
T&G**

W=White, T=Tan, D=Adobe

**F61S**

7/8" x 11.3" Gorilla® T&G  
Pcs/Pallet: 100

UT - 55-1/4", 60-1/4", 62-1/4", 64", 16'



**HOMEWOOD OPTION**

**7/8" X 11.3" GORILLA®  
T&G**

HOMEWOOD OPTION F61S ONLY  
O=Mocha Walnut, I=Chai Gray

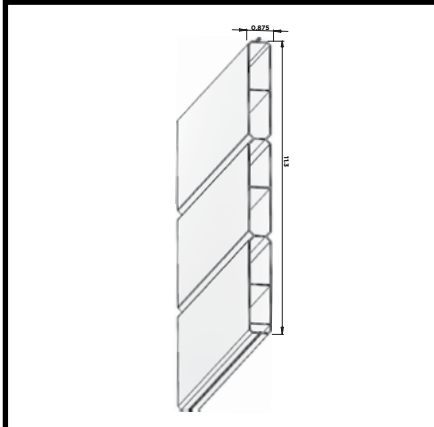
**F61S**

7/8" x 11.3" Gorilla® T&G  
Pcs/Pallet: 100

UT - 55-1/4", 60-1/4", 16'

Availability and profile dimensions are subject to change without notice. Check with manufacturer before ordering.  
All dimensions are subject to manufacturer's tolerances. Gorilla® is a registered trademark of Homeland Vinyl Products, Inc. Nexus® is a registered trademark of Homeland Vinyl Products, Inc.

# PRIVACY FENCE PRIVACY PICKETS



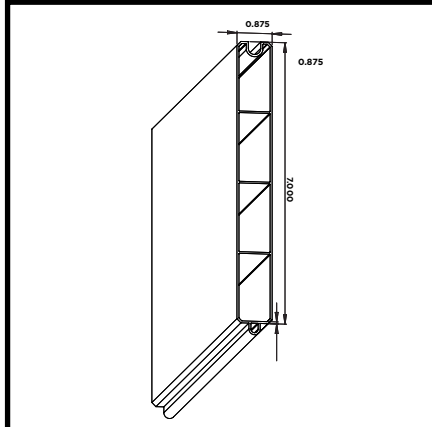
## 7/8" X 11.3" GORILLA® LOCKING PICKET

W=White, T=Tan, D=Adobe

### F61L

7/8" x 11.3" Gorilla® Locking Picket  
Pcs/Pallet: 100

UT - MTO



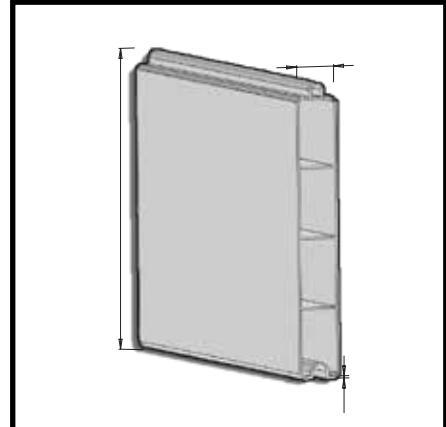
## 7/8" X 7" GORILLA® T&G

W=White, T=Tan, D=Adobe

### F62S

7/8" x 7" Gorilla® T&G  
Pcs/Pallet: 148 (16'),  
Shorter Lengths, 292

NJ - MTO

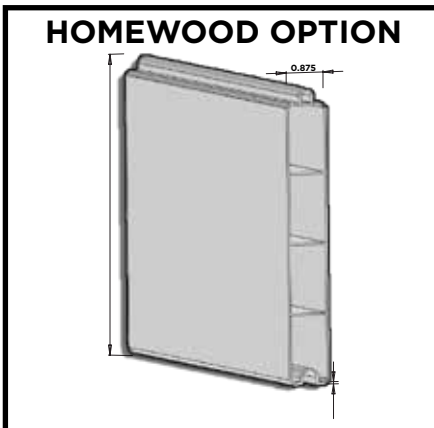


## 7/8" X 6" GORILLA® T&G

W=White, T=Tan, D=Adobe,  
F= Dark Gray (AL Only), L= Light Gray (AL Only)

### F54G

7/8" x 6" Gorilla® T&G  
Pcs/Pallet: 178 (16'),  
Shorter Lengths, 346  
AL - 41-1/2", 48", 52", 59-1/2", 61", 62-1/4", 64",  
70", 16'  
NJ - 48", 52", 57-1/2", 59-1/2", 61", 62-1/4",  
64", 16'  
UT - 47-1/4", 55-1/4", 59-1/4", 60-1/4",  
62-1/4", 64", 72", 16'  
FL - 48", 62-1/4", 16'  
TX - 55-1/4", 59-1/4", 60-1/4", 62-1/4",  
16' (W, T & D only)



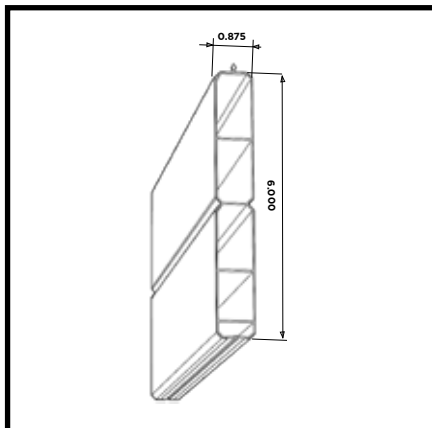
## HOMWOOD OPTION

## 7/8" X 6" GORILLA® T&G

HOMWOOD OPTION F54C ONLY  
O=Mocha Walnut, A=Aspen Latte (AL Only),  
I=Chai Gray, U=Green Teak

### F54C

7/8" x 6" Homewood® T&G  
Pcs/Pallet: 178 (16')  
Shorter Lengths, 346  
AL - 30-1/2", 62-1/4", 64", 70", 16'  
UT - 30-1/2", 60-1/4", 62-1/4", 64", 70", 16'



## 7/8" X 6" GORILLA® DECORATIVE LOCKING PICKET

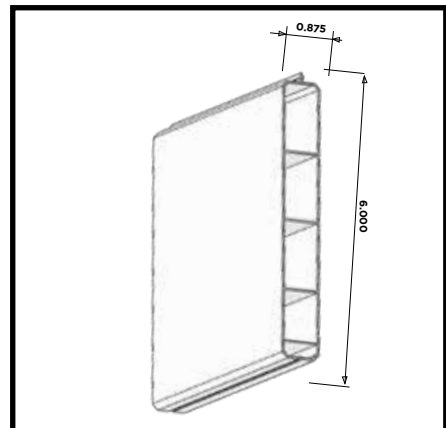
W=White, T=Tan, D=Adobe

### F54D

7/8" x 6" Gorilla® Decorative Locking Picket

Pcs/Pallet: 178 (16'),  
Shorter Lengths, 346

AL - MTO



## 7/8" X 6" GORILLA® LOCKING PICKET

W=White, T=Tan, D=Adobe,  
F= Dark Gray (AL Only), L= Light Gray (AL Only)

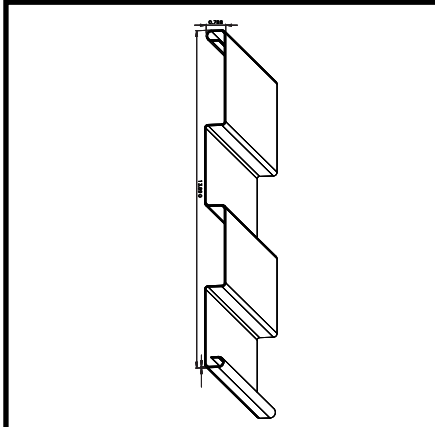
### F54L

7/8" x 6" Gorilla® Locking Picket

Pcs/Pallet: 178 (16'),  
Shorter Lengths, 346  
AL - 59-1/2", 62-1/4", 64", 16'  
NJ - 59-1/2", 62-1/4", 16'  
FL - 59-1/2" (Stocked in W & T only)

Availability and profile dimensions are subject to change without notice. Check with manufacturer before ordering.  
All dimensions are subject to manufacturer's tolerances. Gorilla® is a registered trademark of Homeland Vinyl Products, Inc.

**PRIVACY FENCE  
PRIVACY PICKETS, RAILS**



**7/8" X 14" GORILLA® PRIVACY  
NO EMOSS PANEL**

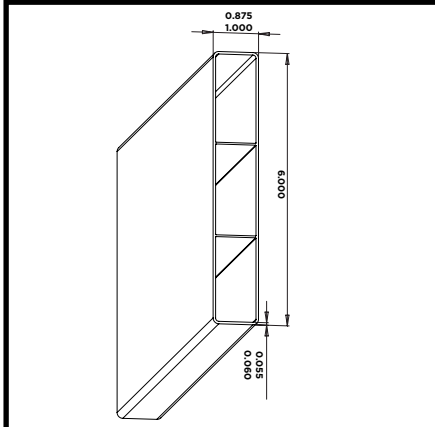
W=White, T=Tan, D=Adobe, S = Sand

**F55B**

7/8" x 14" Gorilla® Privacy No Emboss Panel  
Pcs/Pallet: 96Pcs @ 12'6"  
180 Pcs Cut length

AL - 29", 64", 12'6"

**F55B LIMITED AVAILABILITY.  
RUN ONLY ONCE OR TWICE  
YEARLY.**



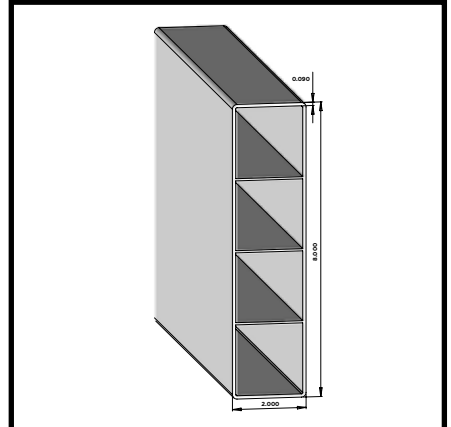
**7/8" X 6" RIBBED  
STANDARD**

W=White, T=Tan, D=Adobe,  
F= Dark Gray (AL Only), L= Light Gray (AL Only)

**F56R**

7/8" x 6" Ribbed Standard  
Pcs/Pallet: 346  
16' Lengths, 178

AL - 69-1/2", 12', 16'  
NJ - 16' (Stocked in NJ)  
UT - 16'  
FL - 69-1/2", 16' (Stocked in FL)



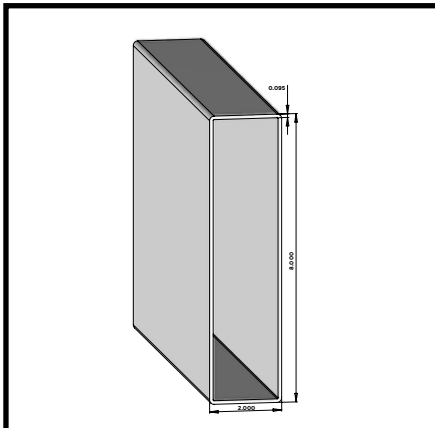
**2" X 8" RIBBED RAIL**

W=White, T=Tan, D=Adobe,  
F= Dark Gray (AL Only), L= Light Gray (AL Only)

**F20R**

2" x 8" Ribbed Rail  
Pcs/Pallet: 66  
AL - 16', 24'

**F20R LIMITED AVAILABILITY.  
RUN ONLY ONCE OR TWICE  
YEARLY.**

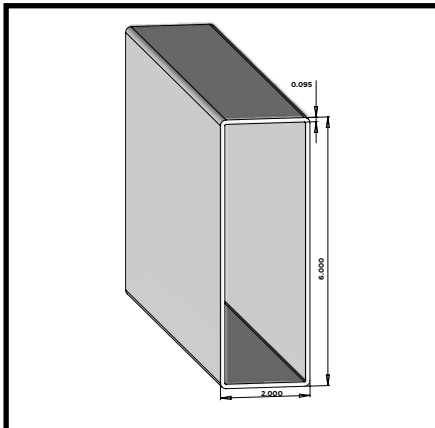


**2" X 8" HOLLOW RAIL**

W=White, T=Tan, D=Adobe,  
F= Dark Gray (AL Only), L= Light Gray (AL Only)

**F20S**

2" x 8" Hollow Rail  
Pcs/Pallet: 66  
AL - 16', 24'

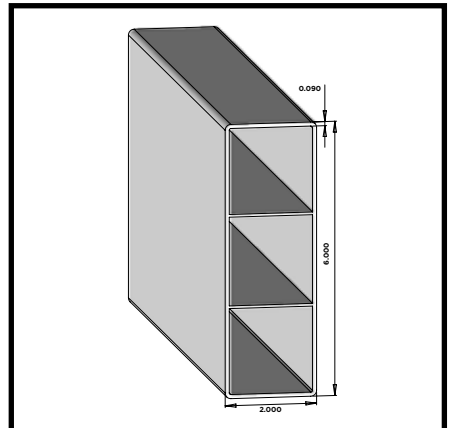


**2" X 6" HOLLOW RAIL**

W=White, T=Tan, D=Adobe,  
F= Dark Gray (AL Only), L= Light Gray (AL Only)

**F22E**

2" x 6" Hollow Rail  
Pcs/Pallet: 88  
AL - 8', 12', 16', 24'  
UT - 12', 16'



**2" X 6" RIBBED RAIL**

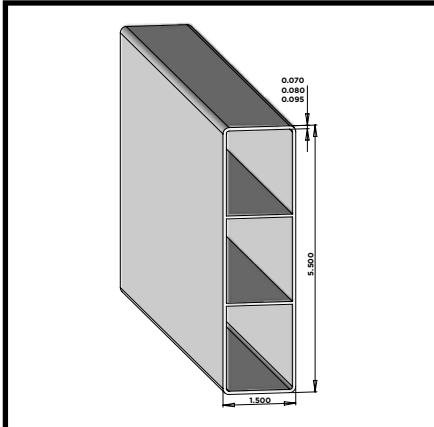
W=White, T=Tan, D=Adobe,  
F= Dark Gray (AL Only), L= Light Gray (AL Only)

**F22C**

(0.090 wall)  
2" x 6" Ribbed Rail  
Pcs/Pallet: 88  
AL - 94", 12', 16'  
NJ - 94", 8', 16' (Stocked In White & Tan)  
UT - 12', 16'

Availability and profile dimensions are subject to change without notice. Check with manufacturer before ordering.  
All dimensions are subject to manufacturer's tolerances. Gorilla® is a registered trademark of Homeland Vinyl Products, Inc.

# PRIVACY FENCE RAILS

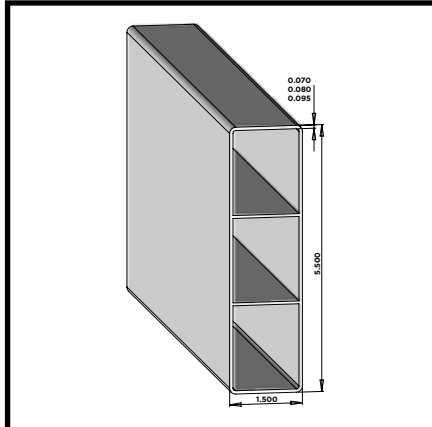


## 1-1/2" X 5-1/2" RIBBED RAIL (UTILITY & UTILITY VALUE)

W=White, T=Tan, D=Adobe

**F27E** (0.080 Wall)  
1-1/2" x 5-1/2" Ribbed Utility Rail  
Pcs/Pallet: 114  
AL - 94", 16' (F= Dark Gray , L= Light Gray)  
UT - 16'  
TX - 94", 16'

**F27M** (0.070 Wall)  
1-1/2" x 5-1/2" Utility Value Rail (Color Inside)  
Pcs/Pallet: 114  
AL - 16'  
UT - 16'  
FL - 16' (Stocked in FL)  
TX - 16'

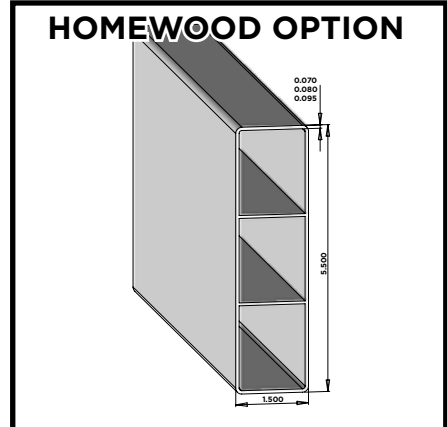


## 1-1/2" X 5-1/2" RIBBED RAIL

F= Dark Gray (AL Only), L= Light Gray (AL Only),  
W=White, T=Tan, D=Adobe

**F27C** (0.095 Wall)  
1-1/2" x 5-1/2" Ribbed Rail  
Pcs/Pallet: 114  
AL - 16'  
UT - 16'

Note: 16' Insert Required Separately



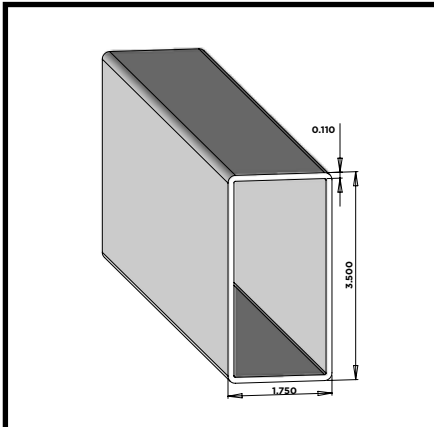
## HOMEWOOD OPTION

## 1-1/2" X 5-1/2" RIBBED RAIL

HOMEWOOD OPTION F27C ONLY  
O=Mocha Walnut, A=Aspen Latte,  
I=Chai Gray, U=Green Teak,

**F27C** (0.095 Wall)  
1-1/2" x 5-1/2" Ribbed Rail  
Pcs/Pallet: 114  
AL - 16'  
UT - 16'

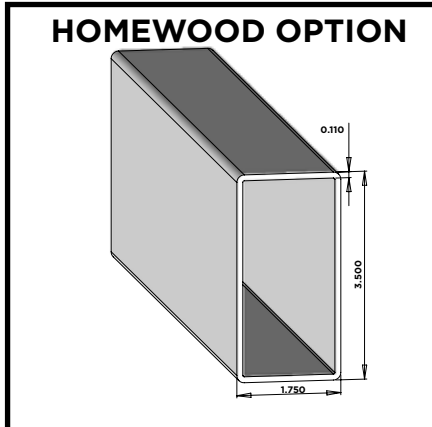
Note: 16' Insert Required Separately



## 1-3/4" X 3-1/2" HOLLOW STANDARD

W=White, T=Tan, D=Adobe, F= Dark Gray (AL Only),  
L= Light Gray (AL Only)

**F25B** (0.110 wall)  
1-3/4" x 3-1/2" Hollow Standard Rail  
Pcs/Pallet: 156  
AL - 12', 16'  
NJ - 12' (Stocked in White & Tan only)  
UT - 12', 16' (Stocked in White & Tan only)  
FL - 12' (Stocked in FL)

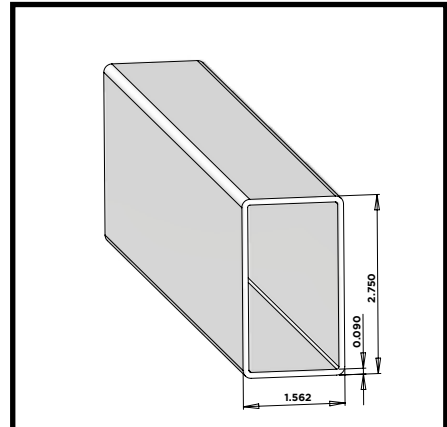


## HOMEWOOD OPTION

## 1-3/4" X 3-1/2" HOLLOW STANDARD

HOMEWOOD OPTION F25B ONLY  
O=Mocha Walnut, I=Chai Gray, U=Green Teak

**F25B** (0.110 wall)  
1-3/4" x 3-1/2" Hollow Standard Rail  
Pcs/Pallet: 156  
AL - 16'



## 1-1/2" X 2-3/4" STANDARD RAIL

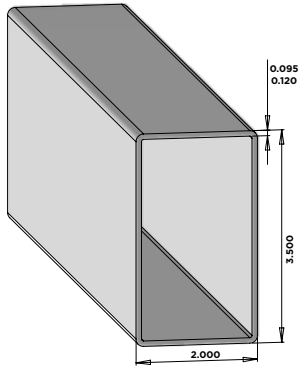
W=White, T=Tan, D=Adobe

**F23S** (0.090 wall)  
1-1/2" x 2-3/4" Standard Rail  
Pcs/Pallet: 224  
AL - MTO

F23S LIMITED AVAILABILITY.  
RUN ONLY ONCE OR TWICE  
YEARLY.

Availability and profile dimensions are subject to change without notice. Check with manufacturer before ordering.  
All dimensions are subject to manufacturer's tolerances. Gorilla® is a registered trademark of Homeland Vinyl Products, Inc.

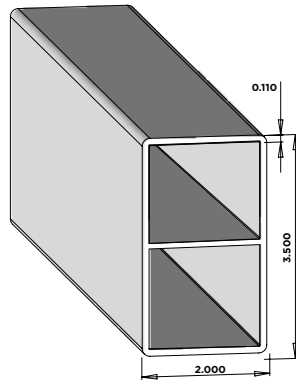
PRIVACY FENCE  
RAILS • U-CHANNEL • TRIM CHANNEL



2" X 3-1/2" HOLLOW  
UTILITY RAIL

W=White, T=Tan, D=Adobe,  
F= Dark Gray (AL Only), L= Light Gray (AL Only)

**F24E** (0.095 Wall)  
2" x 3-1/2" Hollow Utility Rail  
Pcs/Pallet: 143  
AL - 72", 94", 8', 12', 16', 24'  
TN - 72", 94", 8', 12', 16', 24'  
UT - 72", 94", 8', 12', 16', 24'  
FL - 72", 8' (Stocked in FL)  
TX - 6', 8' (Stocked in TX, W & T only)

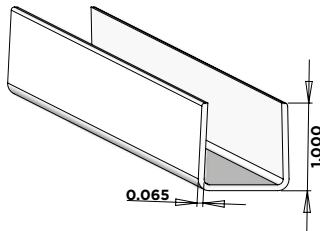


2" X 3-1/2" RIBBED RAIL

W= White , T= Tan

**F24B** (0.110 Wall)  
2" x 3-1/2" Ribbed Rail  
Pcs/Pallet: 143  
TN - 8', 16', 24'  
AL - 8', 16', 24' (Stocked In AL)

**F24B LIMITED AVAILABILITY.**  
RUN ONLY ONCE OR TWICE  
YEARLY.

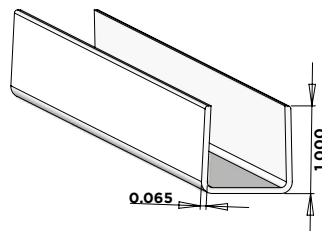


7/8" U-CHANNEL  
STANDARD

W=White, T=Tan, D=Adobe,  
F= Dark Gray (AL Only), L= Light Gray (AL Only)

**F83S**  
7/8" U-Channel Standard  
Pcs/Box: 64 (10' 2")  
(Shorter lengths  
1280 Pcs/Pallet)  
AL - 10'2", 60-7/8"  
NJ - 10'2" (Stocked In NJ)  
UT - 10'2" (Stocked In UT)  
TX - 10'2" (Stocked in W & T only)

HOMEWOOD OPTION

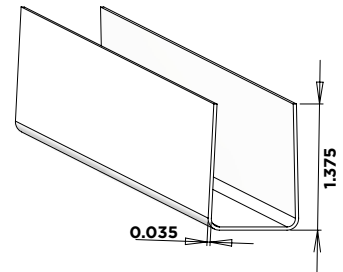


- NO MTO

7/8" U-CHANNEL  
STANDARD

HOMEWOOD OPTION F83S ONLY  
O=Mocha Walnut, A=Aspen Latte,  
I=Chai Gray, U=Green Teak

**F83S**  
Pcs/Pallet: 64  
AL - 10'2"  
UT - 10'2"- (Stocked In UT)



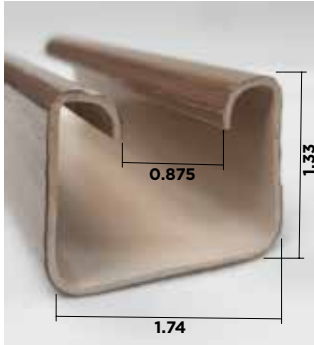
7/8" TRIM CHANNEL

W=White, T=Tan, D=Adobe

**F83U**  
7/8" Trim Channel  
Pcs/Box: 60 (10' 2")  
(Shorter lengths 840 Pcs/Pallet)  
AL - 52", 56", 57", 58", 58-3/4", 59", 59-1/4",  
60-7/8", 10'2"  
NJ - 58", 58-3/4", 60-7/8", 10'2" (Stocked In NJ)  
TN - 52", 56", 57", 58", 58-3/4", 59", 59-1/4",  
60-7/8", 10'2"  
UT - 52", 56", 57", 58-3/4", 59", 59-1/4",  
60-7/8", 10'2" (Stocked In UT)  
FL - 58-3/4", 59", 59-1/4" (Stocked in FL)  
TX - 59" (Stocked in W & T only)

# PRIVACY FENCE

## PICKET CHANNEL • GATE BRACE • LATTICE CHANNEL



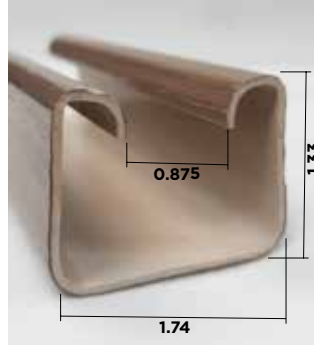
### GORILLA® PICKET CHANNEL

W=White, T=Tan, D=Adobe,  
F= Dark Gray (AL Only), L= Light Gray (AL Only)

#### FTG4

Gorilla Picket Channel  
Pcs/Box: 40 Box  
AL - 72"

### HOMEWOOD OPTION

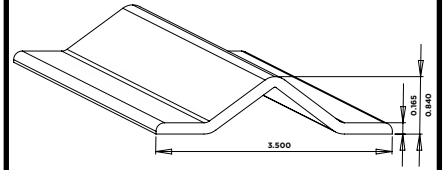


### GORILLA® PICKET CHANNEL

HOMEWOOD OPTION FTG4  
O=Mocha Walnut, A=Aspen Latte,  
I=Chai Gray, U=Green Teak

#### FTG4

Pcs/Pallet: 40 Box  
AL - 72"  
UT - 72" (Stocked In UT)



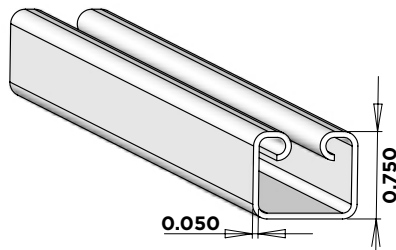
**- NO MTO**

### GATE SUPPORT BRACE

W=White, T=Tan, D=Adobe,  
F= Dark Gray (AL Only), L= Light Gray (AL Only)

#### F86S (0.165 wall)

Gate Support Brace  
Bundled: 240 pcs  
Boxed: 24 pcs  
AL - 8' (Box & Bundled), 12' (Box)  
FL - 8' (Box & Bundled) (Stocked in FL)



**- NO MTO**

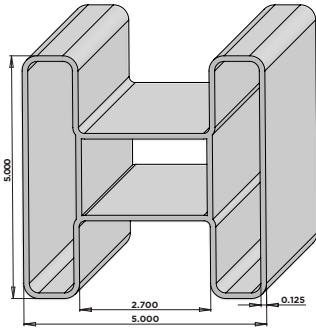
### 3/4" LATTICE CHANNEL

W=White, T=Tan, D=Adobe,  
F= Dark Gray (AL Only), L= Light Gray (AL Only)

#### F89S (0.050 wall)

3/4" Lattice Channel  
Pcs/Box: 60  
AL - 8'

FENCE  
TUF-FENCE®

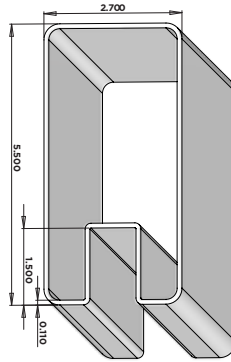


TUF-FENCE® H-POST

D=Adobe Only

**FT01**  
Tuf-Fence®  
H-Post  
AL - 9'

FT01 LIMITED AVAILABILITY.  
RUN ONLY ONCE OR TWICE  
YEARLY.

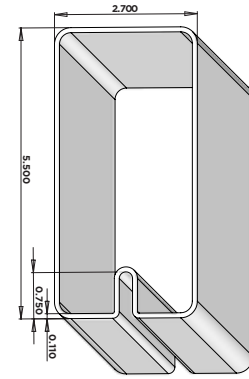


TUF-FENCE® POCKET RAIL

D=Adobe Only

**FT12**  
Tuf-Fence®  
Pocket Rail  
AL - 96.25"

FT12 LIMITED AVAILABILITY.  
RUN ONLY ONCE OR TWICE  
YEARLY.

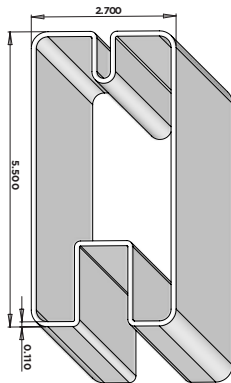


TUF-FENCE® LATTICE  
TOP RAIL

D=Adobe Only

**FT13**  
Tuf-Fence®  
Lattice Top Rail  
AL - 96.25"

FT13 LIMITED AVAILABILITY.  
RUN ONLY ONCE OR TWICE  
YEARLY.

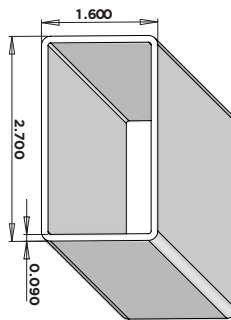


TUF-FENCE® MID-RAIL

D=Adobe Only

**FT11**  
Tuf-Fence®  
Mid-Rail  
AL - 96.25"

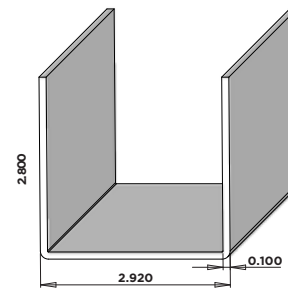
FT11 LIMITED AVAILABILITY.  
RUN ONLY ONCE OR TWICE  
YEARLY.



TUF-FENCE® H-POST  
INSERT

D=Adobe Only

**FT02**  
Tuf-Fence®  
Insert for H-Post  
AL - 8'



TUF-FENCE® U-CHANNEL  
(LONG LEG)

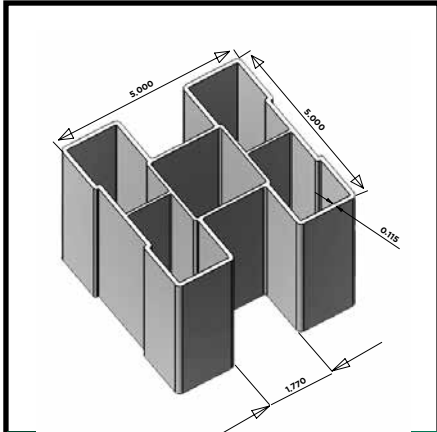
D=Adobe Only

**FT03**  
Tuf-Fence®  
U-Channel (Long Leg)  
AL - 8'

Availability and profile dimensions are subject to change without notice. Check with manufacturer before ordering.  
All dimensions are subject to manufacturer's tolerances.



# FENCE GORILLA® FENCE

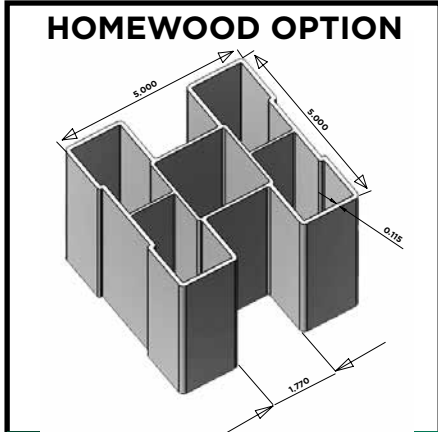


**5" X 5" GORILLA®  
H-POST**

W=White, D=Adobe,  
F= Dark Gray (AL Only), L= Light Gray (AL Only)

**FTG1** (0.115 wall)  
5" x 5" Gorilla®  
H-Post  
AL - 9'

FTG1 LIMITED AVAILABILITY.  
RUN ONLY ONCE OR TWICE  
YEARLY.

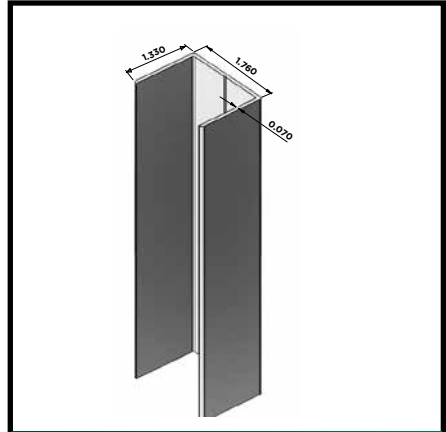


**HOMEWOOD OPTION**

**5" X 5" GORILLA®  
H-POST**

HOMEWOOD OPTION FTG1  
O=Mocha Walnut, A=Aspen Latte,  
I=Chai Gray, U=Green Teak

**FTG1**  
AL - 9'

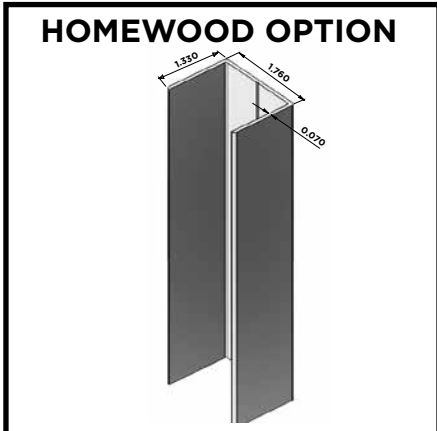


**1-1/2 GORILLA® POST  
INSERT**

W=White, D=Adobe,  
F= Dark Gray (AL Only), L= Light Gray (AL Only)

**FTG2** (0.070 wall)  
1-1/2" Gorilla®  
Post Insert  
AL - 8'

FTG2 LIMITED AVAILABILITY.  
RUN ONLY ONCE OR TWICE  
YEARLY.

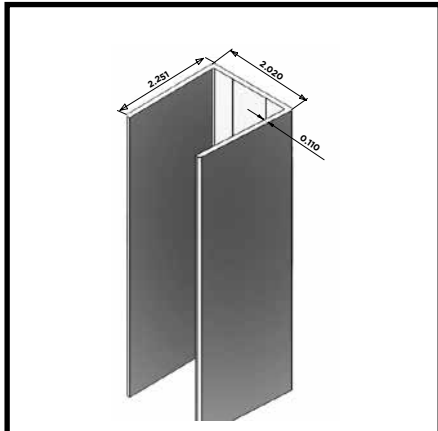


**HOMEWOOD OPTION**

**1-1/2 GORILLA® POST  
INSERT**

HOMEWOOD OPTION FTG2  
O=Mocha Walnut, A=Aspen Latte,  
I=Chai Gray, U=Green Teak

**FTG2**  
AL - 8'

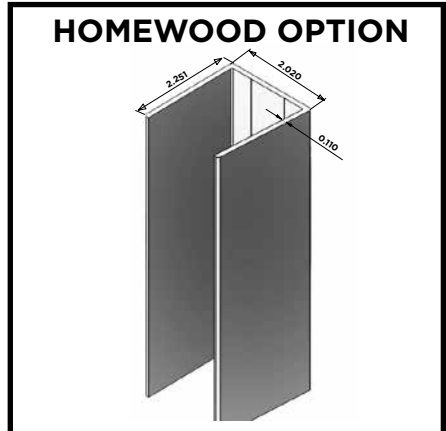


**1-3/4 GORILLA® FENCE  
U-CHANNEL**

W=White, D=Adobe,  
F= Dark Gray (AL Only), L= Light Gray (AL Only)

**FTG3** (0.110 wall)  
1-3/4" Gorilla®  
Fence U-Channel  
AL - 8'

FTG3 LIMITED AVAILABILITY.  
RUN ONLY ONCE OR TWICE  
YEARLY.



**HOMEWOOD OPTION**

**1-3/4 GORILLA® FENCE  
U-CHANNEL**

HOMEWOOD OPTION FTG3  
O=Mocha Walnut, A=Aspen Latte,  
I=Chai Gray, U=Green Teak

**FTG3**  
AL - 8'

Availability and profile dimensions are subject to change without notice. Check with manufacturer before ordering.  
All dimensions are subject to manufacturer's tolerances.

# GORILLA® GUARD RAIL

## Profiles

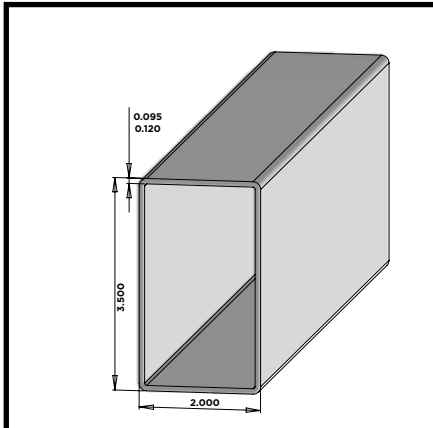


Gorilla® is a trademark of Homeland Vinyl Products, Inc.



# GORILLA™ GUARD RAIL

## SUMMIT® 2x3-1/2, T- RAIL, CONTOUR

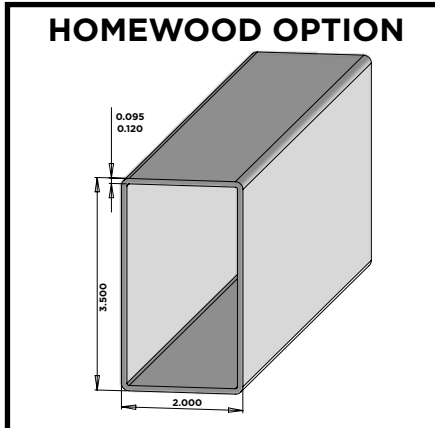


**2" X 3-1/2" HOLLOW UTILITY RAIL**

W=White, T=Tan, D=Adobe,  
F= Dark Gray (AL Only), L= Light Gray (AL Only)

**F24C** (0.120 Wall) **F24E** (0.095 Wall)  
2" x 3-1/2" Hollow Utility Rail  
Standard Rail  
Pcs/Pallet: 143  
AL - 6', 8', 16', 24'  
UT - 6', 94", 12', 16'  
TN - 6', 8', 94", 16', 24'

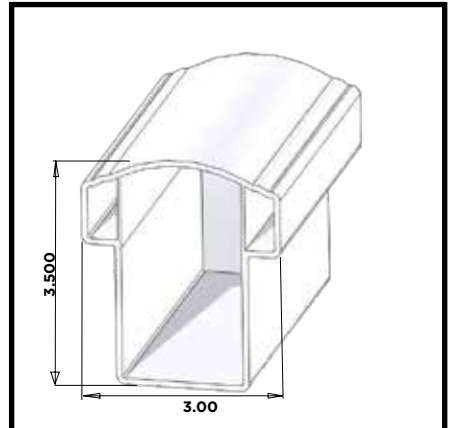
Pcs/Pallet: 143  
AL - 72", 94", 8', 12', 16', 24'  
TN - 72", 94", 8', 12', 16', 24'  
UT - 72", 94", 8', 12', 16', 24'  
FL - 72", 8' (Stocked in FL)  
TX - 6', 8'  
(Stocked in W & T only)



**HOMEWOOD OPTION**

**HOMEWOOD OPTION F24E ONLY**  
O=Mocha Walnut, A=Aspen Latte,  
I=Chai Gray, U=Green Teak

**F24E** (0.095 Wall)  
2" x 3-1/2" Hollow Utility Rail  
Pcs/Pallet: 143  
AL - 72", 96", 16'  
UT - 12', 16'

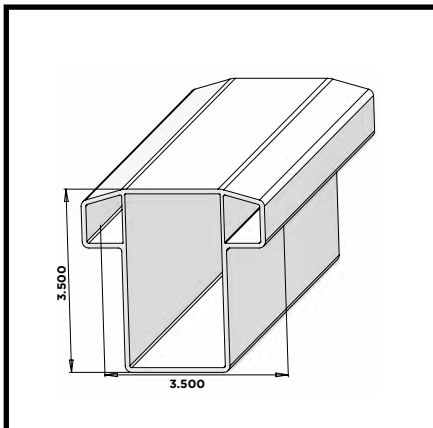


**3" CONTOUR RAIL**

W=White, T=Tan, D=Adobe

**F36S** (0.095 wall)

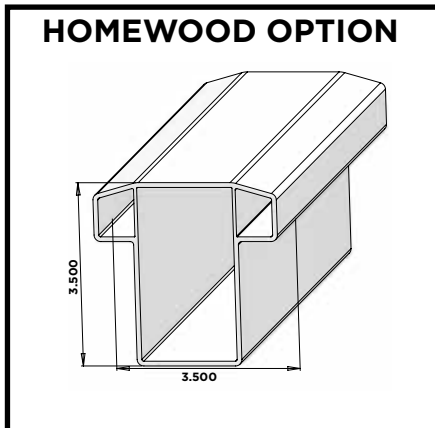
3" Contour Rail  
Bundle: 102  
AL - 24'



**3-1/2" GORILLA® T-RAIL**

W=White, T=Tan, D=Adobe

**F35C** (0.090 wall)  
3-1/2" Gorilla® T-Rail  
Pcs/Pallet: 90  
AL - 6', 8', 10', 16'  
TN - 6', 8', 10', 16'



**HOMEWOOD OPTION**

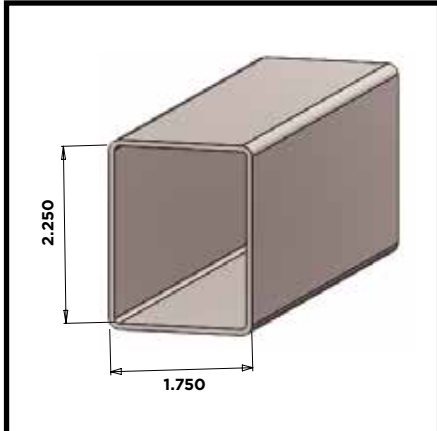
**HOMEWOOD OPTION F35C ONLY**  
O=Mocha Walnut

**F35C** - (0.095 wall)  
3-1/2" Gorilla® T-Rail  
Pcs/Pallet: 90  
AL - 16'

See ESR-1657 report for detailed applications. Check local building codes in your area.  
Availability and profile dimensions are subject to change without notice. Check with manufacturer before ordering.  
All dimensions are subject to manufacturer's tolerances.

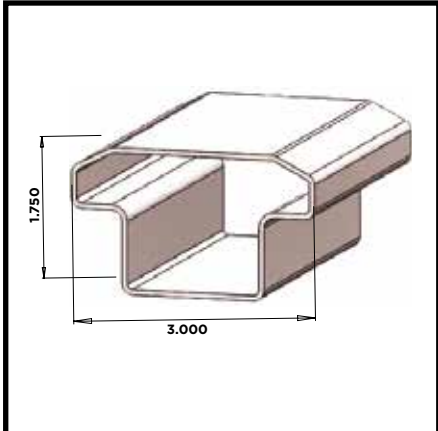
# GORILLA™ GUARD RAIL

NEXUS® 1-3/4 x 2-1/4 • 4-1/2 GORILLA® RAIL • PALISADE RAIL • PALISADE RAIL



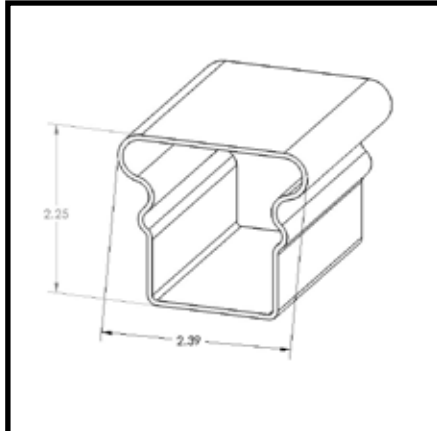
1-3/4" X 2-1/4" NEXUS®

W=White, T=Tan, D=Adobe  
**F3PB** (0.065 wall)  
 1-3/4" x 2-1/4" Nexus' Rail  
 Pcs/Pallet: 216  
 TN - 71-3/8", 95-3/8", 119-3/8"



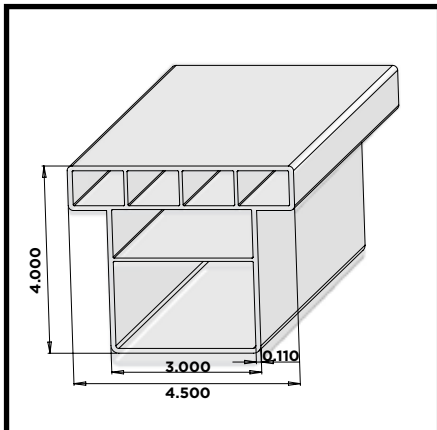
1-3/4" NEXUS® 1 T-RAIL

W=White, T=Tan, D=Adobe  
**F34C** (0.065 wall)  
 1-3/4" Nexus' 1 T-Rail  
 Pcs/Pallet: 216  
 TN - 71-3/8", 95-3/8", 119-3/8"



1-3/4" NEXUS® 2 T-RAIL

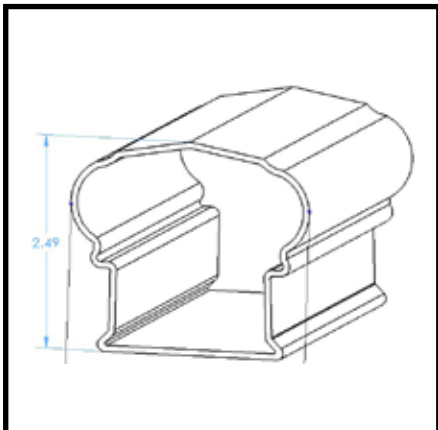
W=White, T=Tan, D=Adobe  
**F3N2** (0.065 wall)  
 1-3/4" Nexus' 2 T-Rail  
 Pcs/Pallet: 216  
 TN- 71-3/8", 95-3/8", 119-3/8"



4-1/2" GORILLA® RAIL

W=White, T=Tan, D=Adobe  
**FTB** (0.110 wall)  
 4-1/2" Gorilla' Rail  
 Pcs/Pallet: 66  
 AL - 24'

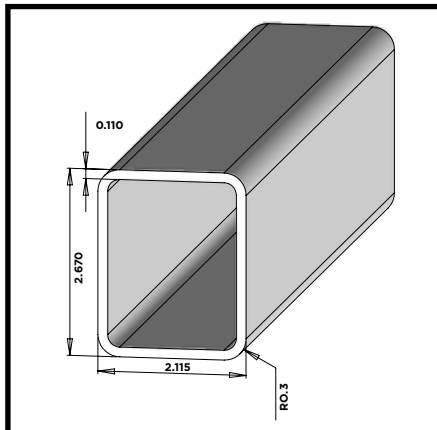
FTB LIMITED AVAILABILITY.  
 RUN ONLY ONCE OR TWICE  
 YEARLY.



PALISADE RAIL

W=White, T=Tan, D=Adobe  
**FHP1** (0.070 wall)  
 Palisade Rail  
 Pcs/Pallet: 136  
 AL - 6', 8', 10' MTO

FHP1 LIMITED AVAILABILITY.  
 RUN ONLY ONCE OR TWICE  
 YEARLY.



2-1/8" X 2-3/4" STANDARD RAIL

W=White, T=Tan, D=Adobe  
**F26S** (0.110 wall)  
 2-1/8" x 2-3/4" Standard Rail  
 Pcs/Pallet: 170  
 AL - 12', 16'

See ESR-1657 report for detailed applications. Check local building codes in your area.

Availability and profile dimensions are subject to change without notice. Check with manufacturer before ordering.  
 All dimensions are subject to manufacturer's tolerances.

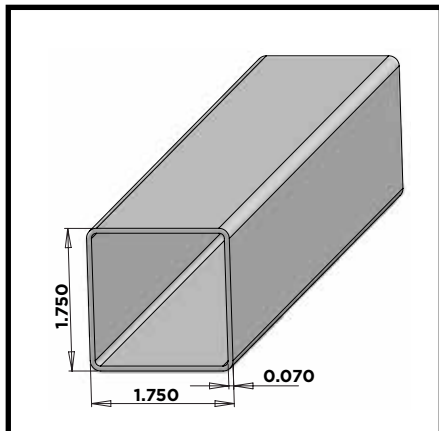
PERFECT FIT & MATCH • PERFECT FIT & MATCH • PERFECT FIT & MATCH • PE  
PERFECT FIT & MATCH • PERFECT FIT & MATCH • PERFECT FIT & MA  
PERFECT FIT & MATCH • PERFECT FIT & MATCH • PERFECT FIT & MATC  
PERFECT FIT & MATCH • PERFECT FIT & MATCH • PERFECT FIT & MATCH • PERFI  
PERFECT FIT & MATCH • PERFECT FIT & MATCH • PERFECT FIT & MATCH • PE  
PERFECT FIT & MATCH • PERFECT FIT & MATCH • PERFECT FIT & MA

# Pickets

## Profiles



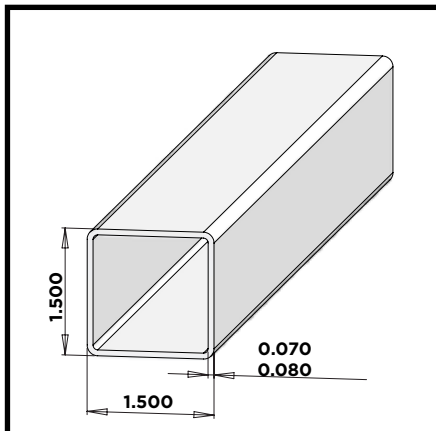
# FENCE/GUARD RAIL SMALL PICKETS



**1-3/4" X 1-3/4"  
STANDARD PICKETS**

W=White, T=Tan, D=Adobe

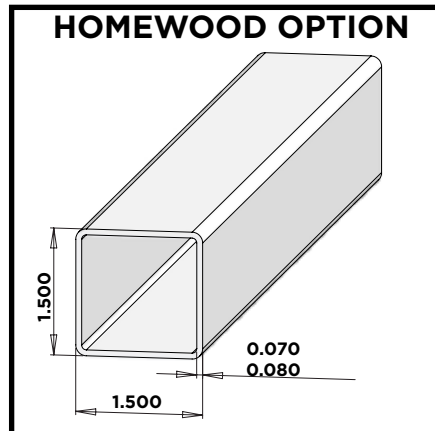
**F41S** (0.070 Wall)  
1-3/4" x 1-3/4" Standard Pickets  
Pcs/Pallet: 312  
AL - 16'  
UT - 16' (Stocked In UT)



**1-1/2" X 1-1/2"  
STANDARD PICKETS**

W=White, T=Tan, D=Adobe, G=Gray,  
F= Dark Gray (AL Only), L= Light Gray (AL Only)

**F42S** (0.070 Wall)  
1-1/2" x 1-1/2" Standard Pickets  
Pcs/Pallet: 450 pcs. (Other Sizes 900)  
AL - 30-1/2", 31", 32", 38",  
10', 12', 16' (Stocked in AL)  
TN - 30-1/2", 31", 32", 38", 43-1/8",  
10', 12', 16'  
UT - 16' (Stocked In UT)  
FL - 16' (Stocked in FL)  
TX - 16' (Stocked in W & T only)

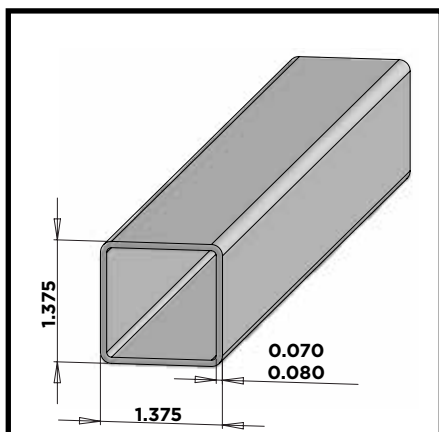


**HOMEWOOD OPTION**

**1-1/2" X 1-1/2"  
STANDARD PICKETS**

HOMEWOOD OPTION F42S ONLY  
O=Mocha Walnut, A=Aspen Latte,  
I=Chai Gray, U=Green Teak

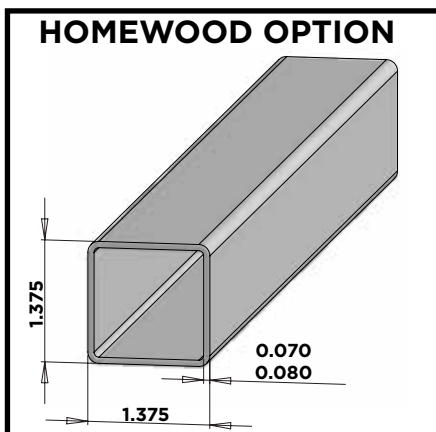
**F42S** (0.070 Wall)  
1-1/2" x 1-1/2" Standard Pickets  
Pcs/Pallet: 450 pcs.  
AL - 16'



**1-3/8" X 1-3/8"  
STANDARD PICKETS**

W=White, T=Tan, D=Adobe

**F43C** (0.070 Wall)  
1-3/8" x 1-3/8" Standard Pickets  
Pcs/Pallet: 16' - 330 pcs. (Other Sizes 600)  
AL - 31-3/4", 32", 32-1/2", 38",  
38-1/2", 16' (Stocked In AL)  
TN - 31-3/4", 32", 32-1/2", 38",  
38-1/2", 16'  
UT - 16' (Stocked In UT)



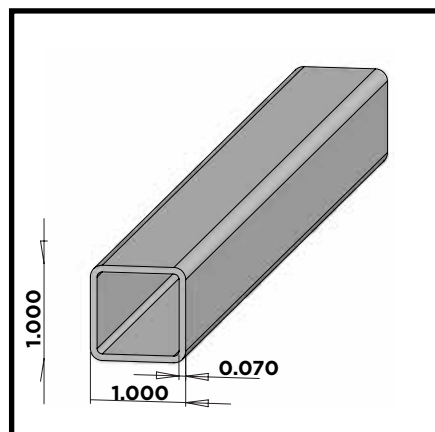
**HOMEWOOD OPTION**

**1-3/8" X 1-3/8"  
STANDARD PICKETS**

HOMEWOOD OPTION F43C ONLY  
O=Mocha Walnut, A=Aspen Latte,  
I=Chai Gray, U=Green Teak

**F43C** (0.070 Wall)  
1-3/8" x 1-3/8" Standard Pickets  
Pcs/Pallet: 330 pcs.

AL - 16'



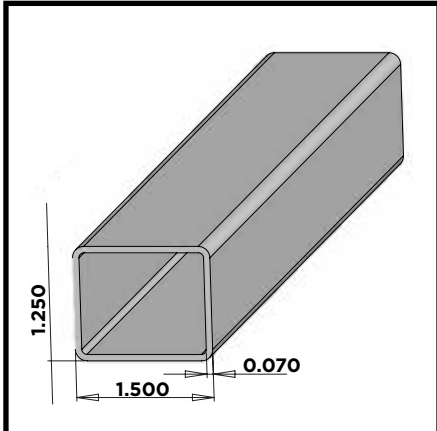
**1" X 1" STANDARD  
PICKETS**

W=White, T=Tan, D=Adobe

**F45S** (0.070 Wall)  
1" x 1" Standard Pickets  
Pcs/Pallet: 450  
AL - 16'  
UT - 16' (Stocked in White and Tan)

Availability and profile dimensions are subject to change without notice. Check with manufacturer before ordering.  
All dimensions are subject to manufacturer's tolerances. Gorilla is a registered trademark of Homeland Vinyl Products, Inc.

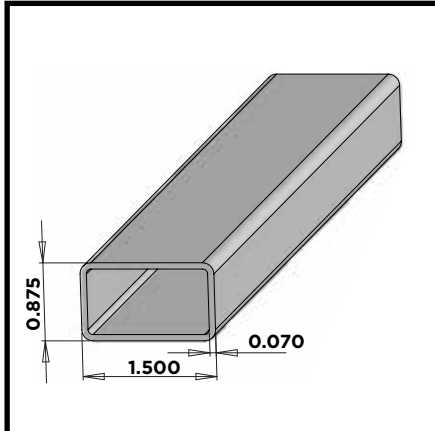
# FENCE/GUARD RAIL SMALL PICKETS



**1-1/4" X 1-1/2"  
STANDARD PICKETS**

W=White, T=Tan, D=Adobe

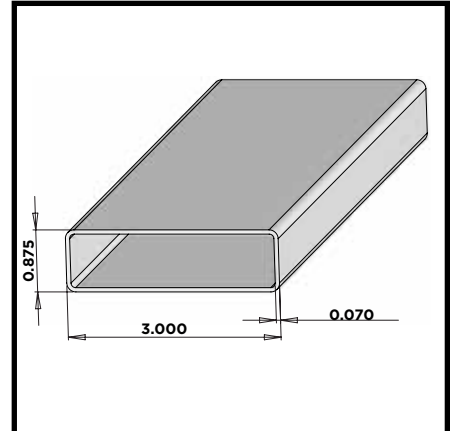
**F47S** (0.070 Wall)  
1-1/4" x 1-1/2" Standard Pickets  
Pcs/Pallet: 510  
AL - MTO



**7/8" X 1-1/2"  
STANDARD PICKETS**

W=White, T=Tan, D=Adobe

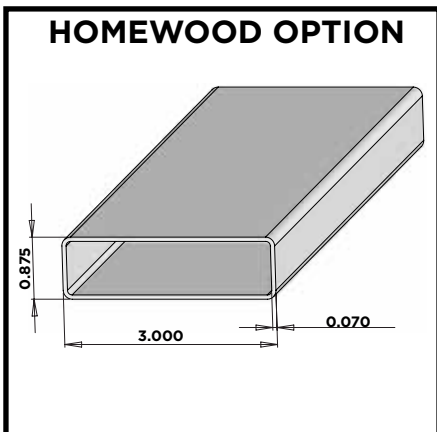
**F65S** (0.070 Wall)  
7/8" x 1-1/2" Standard Pickets  
Pcs/Pallet: 942 (16', 402 pcs.)  
AL - 31-3/4", 32", 16' (Stocked in AL)  
NJ - 16' (Stocked in NJ)  
UT - 31-3/4", 33", 16' (Stocked in UT)  
FL - 16' (Stocked in FL)  
TN - 32", 16'



**7/8" X 3" STANDARD  
PICKETS**

W=White, T=Tan, D=Adobe,  
F= Dark Gray (AL Only), L= Light Gray (AL Only)

**F57C** (0.070 Wall)  
7/8" x 3" Standard Pickets  
Pcs/Pallet: 355  
AL - 44", 45-7/8", 12', 16' (Stocked in AL)  
UT - 16'  
TN - 44", 45-7/8", 12', 16'  
TX - 16' (Stocked in W & T only)  
FL - 45-7/8", 16' (Stocked in FL)

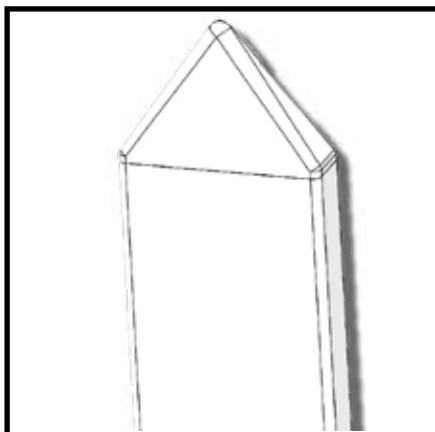


**HOMEWOOD OPTION**

**7/8" X 3" STANDARD  
PICKETS**

HOMEWOOD OPTION F57H ONLY  
O=Mocha Walnut, A=Aspen Latte,  
I=Chai Gray, U=Green Teak

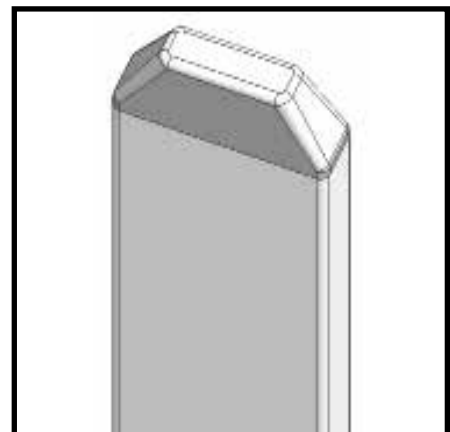
**F57H** (0.080 Wall)  
7/8" x 3" Gorilla® Pickets  
Pcs/Pallet: 355  
AL - 8', 16'



**7/8" X 3" SPADE PICKET**

W=White, T=Tan, D=Adobe

**F57C-SPC**  
7/8" x 3" Standard Picket  
welded to Spade Cap  
Pcs/Pallet: 355  
TN - 44" (Extrusion) + Welded Spade Cap  
45-7/8" (Extrusion) + Welded Spade Cap  
56" (Extrusion) + Welded Spade Cap  
68" (Extrusion) + Welded Spade Cap



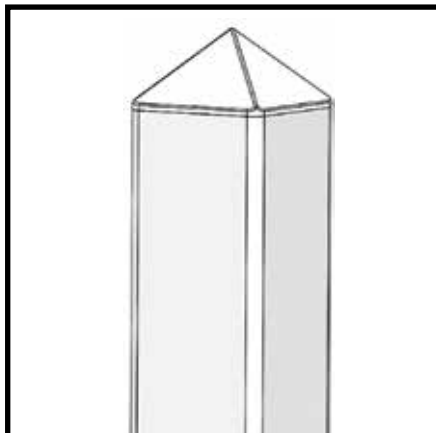
**7/8" X 3" DOG EAR  
PICKET**

W=White, T=Tan, D=Adobe

**F57C-DEC**  
7/8" x 3" Standard Picket  
welded to Dog Ear Cap  
Pcs/Pallet: 355  
TN - 44" (Extrusion) + Welded Dog Ear Cap  
45-7/8" (Extrusion) + Welded Dog Ear Cap  
56" (Extrusion) + Welded Dog Ear Cap  
68" (Extrusion) + Welded Dog Ear Cap

Availability and profile dimensions are subject to change without notice. Check with manufacturer before ordering.  
All dimensions are subject to manufacturer's tolerances.

# FENCE/GUARD RAIL SMALL PICKETS



**1-1/2" X 1-1/2"  
SHARP PICKET**

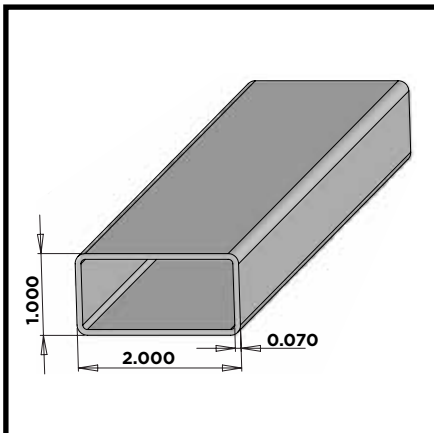
W=White, T=Tan, D=Adobe

**F42S-SPD**

1-1/2" x 1-1/2" Standard Picket  
welded to Sharp Cap

Pcs/Pallet: 900

TN - 44" (Extrusion) + Welded Sharp Cap  
45-7/8" (Extrusion) + Welded Sharp Cap  
56" (Extrusion) + Welded Sharp Cap  
68" (Extrusion) + Welded Sharp Cap



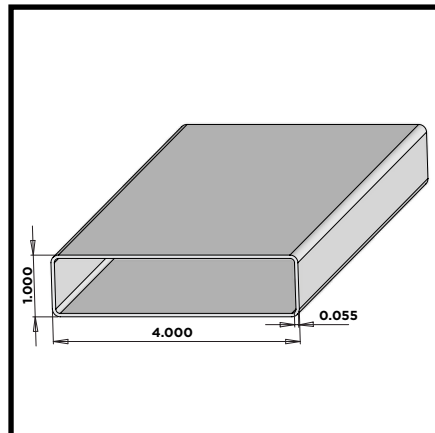
**1" X 2" STANDARD  
PICKETS**

W=White, T=Tan, D=Adobe

**F48S (0.070 Wall)**

1" x 2" Standard Pickets  
Pcs/Pallet: 270  
AL - 16'

**F48S LIMITED AVAILABILITY.  
RUN ONLY ONCE OR TWICE  
YEARLY.**



**1" X 4" UTILITY PICKETS**

W=White, T=Tan, D=Adobe

**F49U (0.055 Wall)**

1" x 4" Utility Pickets  
Pcs/Pallet: 253

**AL - MTO**

Availability and profile dimensions are subject to change without notice. Check with manufacturer before ordering.  
All dimensions are subject to manufacturer's tolerances.



# GORILLA® WRAP

*Profiles & Accessories*



# GORILLA® WRAP

8 Piece Gorilla Post Wraps • 4 Piece Gorilla Post Wrap



1-3/4" x 10' GORILLA®  
POST WRAP CORNER TRIM

W=White, T=Tan, D=Adobe

**FMWC**  
Gorilla® Wrap Corner  
AL - 10'



4" x 10' GORILLA®  
POST WRAP COVERAGE SLAT

W=White, T=Tan, D=Adobe

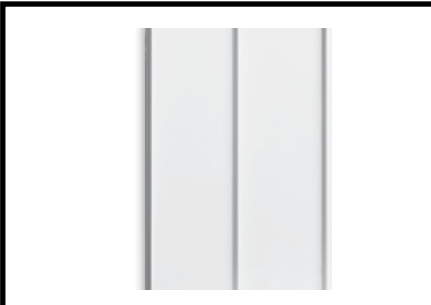
**FMW4**  
4" Gorilla® Wrap Insert  
Covers sides of 3-1/4" to 4-1/4"  
AL - 10'



6" x 10' GORILLA®  
POST WRAP COVERAGE SLAT

W=White, T=Tan, D=Adobe

**FMW6**  
6" Gorilla® Wrap Insert  
Covers sides of 5-1/4" to 6-1/4"  
AL - 10'



8" x 10' GORILLA®  
POST WRAP COVERAGE SLAT

W=White, T=Tan, D=Adobe

**FMW8**  
8" Gorilla® Wrap Insert  
Covers sides of 7-1/4" to 8-1/4"  
AL - 10'



10" x 10' GORILLA®  
POST WRAP COVERAGE SLAT

W=White, T=Tan, D=Adobe

**FMW0**  
10" Gorilla® Wrap Insert  
Covers sides of 9-1/4" to 10-1/4"  
AL - 10'



12" x 10' GORILLA®  
POST WRAP COVERAGE SLAT

W=White, T=Tan, D=Adobe

**FMW2**  
12" Gorilla® Wrap Insert  
Covers sides of 11-1/4" to 12-1/4"  
AL - 10'



4 PIECE - 4" x 4" X 10' GORILLA®  
POST WRAP

W=White, T=Tan, D=Adobe

**FPW4**  
4"x4" Gorilla® Wrap  
Pcs/Box: 5 posts per box  
Bulk: 92 posts per bundle  
Length - 8', 10'

- 4 PIECES TO MAKE 1 POST
- FULL BOX WILL COVER A TOTAL OF 5 POSTS
- COVERS POSTS BETWEEN 3-7/16" - 4-3/8"
- ANY TWIST OR OUT OF SQUARE WILL REDUCE COVERAGE SIZE



4 PIECE - 6" x 6" X 10' GORILLA®  
POST WRAP

W=White, T=Tan, D=Adobe

**FPW6**  
6"x6" Gorilla® Wrap  
Pcs/Box: 4 posts per box  
Bulk: 74 posts per bundle  
Length - 8', 10'

- 4 PIECES TO MAKE 1 POST
- FULL BOX WILL COVER A TOTAL OF 4 POSTS
- COVERS POSTS BETWEEN 5-1/8" - 6"
- ANY TWIST OR OUT OF SQUARE WILL REDUCE COVERAGE SIZE

Gorilla® is a registered trademark of Homeland Vinyl Products, Inc.

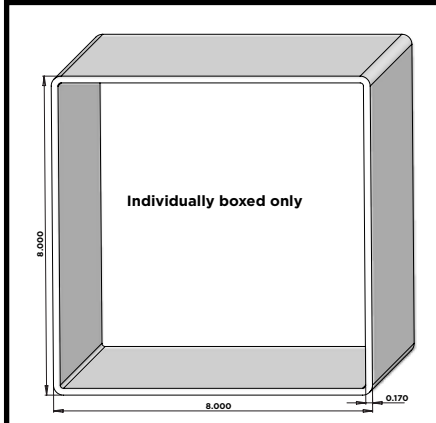
# GORILLA® POSTS & COLUMNS

*Profiles*



# GORILLA® POSTS

## POSTS

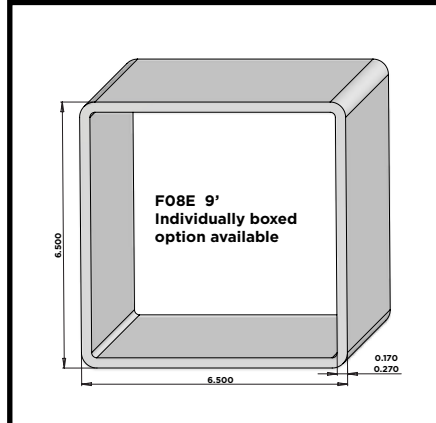


### 8" X 8" STANDARD POST

W=White, T=Tan, D=Adobe

**F06C** (0.170 wall)  
8" x 8" Standard Post  
Pcs/Box: 1  
Boxes/Skids: 10  
Refer to Commodity Sheet for Box Costs.  
SOLD IN SKID QUANTITIES ONLY  
AL - 9'

**F06C LIMITED AVAILABILITY.**  
RUN ONLY ONCE OR TWICE  
YEARLY.

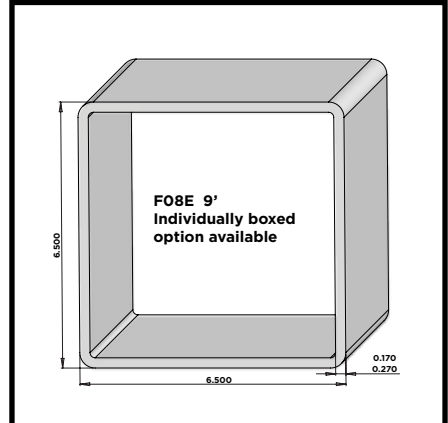


### 6-1/2" X 6-1/2" GORILLA® POST

W=White, T=Tan, D=Adobe

**F08S** (0.270 wall)  
6-1/2" x 6-1/2" Gorilla® Post  
Pcs/Pallet: 21  
AL - 9', 16'

**F08S LIMITED AVAILABILITY.**  
RUN ONLY ONCE OR TWICE  
YEARLY.



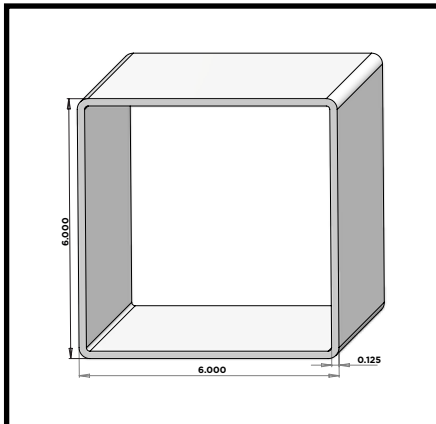
### 6-1/2" X 6-1/2" UTILITY POST

W=White, T=Tan, D=Adobe

**F08E** (0.170 wall)  
6-1/2" x 6-1/2" Post  
Pcs/Pallet: 49  
(24', 21 pcs.)  
AL - 9', 10', 12'

**F08E LIMITED AVAILABILITY.**  
RUN ONLY ONCE OR TWICE  
YEARLY.

Boxed Option for F08E:  
Pcs/Box: 1 Boxes/Skids: 20  
Refer to Commodity Sheet for Box Costs.  
SOLD IN SKID QUANTITIES ONLY

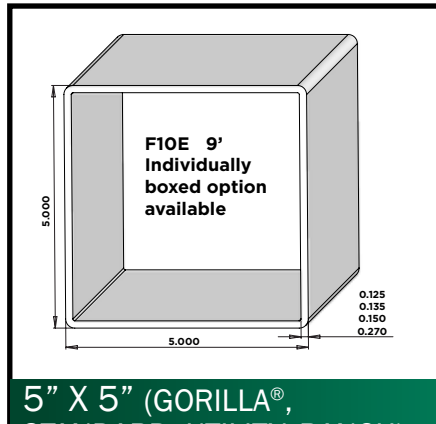


### 6" X 6" STANDARD POST

W=White, T=Tan, D=Adobe

**F09C** (0.125 wall)  
6" x 6" Standard Post  
Pcs/Pallet: 32  
AL - 8', 9', 10', 12', 16'

Please see Commodity Sheet for  
bagged pricing.



### 5" X 5" (GORILLA®, STANDARD, UTILITY, RANCH) POST

W=White, T=Tan, D=Adobe

**F10K** (0.270 wall)  
5" x 5" Gorilla® Post  
Pcs/Pallet: 36 (16' & Over - 36 pcs)  
AL - 9', 16', 24'

**F10C** (0.150 wall)  
5" x 5" Standard Post  
Pcs/Pallet: 81 (16' & Over - 36 pcs)  
AL - 6', 7', 8', 9', 10', 12', 16', 24'  
F = Dark Gray (AL Only), L = Light Gray (AL Only)  
NJ - 6', 7', 8', 9', 12'  
UT - 6', 8', 16'  
TX - 10'

### F10M

5" x 5" Economy Post  
(Color Inside) (White Only)  
Pcs/Pallet: 81  
AL - 8'6"  
FL - 8'6" (Blanks Only)  
TX - 8'6"

### F10E (0.135 wall)

5" x 5" Utility Post  
Pcs/Pallet: 81 (16' & Over - 36 pcs)  
AL - 6', 6'6", 7', 8', 8'6", 9', 10', 12', 16', 24'  
F = Dark Gray (AL Only), L = Light Gray (AL Only)  
NJ - 6', 7', 8', 9', 12', 16', 24'  
UT - 5', 6', 6'6", 7', 8', 9', 16', 24'  
S = Sand (UT Only), H = Ash Gray (UT Only)  
FL - 6', 8'6", 12'  
TX - 6', 6'6", 7', 8', 8'6", 9', 10', 12'

### F10J (0.125 wall)

5" x 5" Utility Ranch Post  
(Color Inside)  
Pcs/Pallet: 81  
AL - 5', 6'6", 7'  
UT - 5', 6'6", 7'  
TX - 5', 6'6", 7'

Bagging options available for 6"x6", 5"x5", and 4"x4" in truck load quantities. See Made To Order Guidelines.  
Availability and profile dimensions are subject to change without notice. Check with manufacturer before ordering.  
All dimensions are subject to manufacturer's tolerances. Gorilla® is a registered trademark of Homeland Vinyl Products, Inc.

# GORILLA® POSTS POSTS

**HOMEWOOD OPTION**

**5" X 5" STANDARD POST**

**HOMEWOOD OPTION F10C ONLY**  
O=Mocha Walnut, A=Aspen Latte, I=Chai Gray, U=Green Teak,

**F10C** (0.150 wall)  
5" x 5" Standard Post  
Pcs/Pallet: 81 (16' & Over - 36 pcs)  
AL - 9', 12', 16'  
UT - 8', 16'

**4" X 4" (GORILLA®, STANDARD, UTILITY, VALUE) POST**

W=White, T=Tan, D=Adobe

**F12C** (0.165 wall)  
4" x 4" Gorilla® Post  
Pcs/Pallet: 121 (16' & Over - 55 pcs.)  
AL - 9', 16', 24'  
UT - 39", 45", 16'  
TN - 7', 8', 9', 10', 12', 16', 24'

**F12N** (0.135 wall)  
4" x 4" Standard Post  
Pcs/Pallet: 121 (16' & Over - 55 pcs.)  
AL - 42", 48", 6', 6'6", 7', 8', 9', 10', 12', 16', 24'  
F= Dark Gray (AL Only), L= Light Gray (AL Only)  
UT - 6', 16'  
TN - 42", 48", 6', 6'6", 7', 8', 9', 10', 12', 16', 24'  
TX - 6', 16' (Stocked in W & T only)

**F12V** (0.100 wall)  
4" x 4" Value  
(Color Inside)  
Pcs/Pallet: 121  
TN - 38", 39", 48", 8', 10'

**F12E** (0.115 wall)  
4" x 4" Utility Post  
Pcs/Pallet: 121 (16' & Over - 55 pcs.)  
AL - 39", 42", 48", 6', 6'6", 7', 8', 9', 10', 12', 16', 24'  
TN - 39", 42", 48", 6', 6'6", 7', 8', 9', 12', 16', 24'  
UT - 6', 7', 16'

Please see Commodity Sheet for bagged pricing.

**HOMEWOOD OPTION**

**4" X 4" STANDARD POST**

**HOMEWOOD OPTION F12N ONLY**  
O=Mocha Walnut, A=Aspen Latte, I=Chai Gray, U=Green Teak

**F12N** (0.135 wall)  
4"x4" Standard Post  
Pcs/Pallet: 121 (16' & Over - 55 pcs.)  
AL - 7', 8', 9', 16'  
UT - 7', 8', 9', 16'

**3-1/2" X 3-1/2" UTILITY POST**

W=White, T=Tan, D=Adobe

**F13E** (0.110 wall)  
3-1/2" x 3-1/2" Utility Post  
Pcs/Pallet: 156 (16' & Over - 78 pcs.)  
AL - 6', 8', 16'  
FL - 6' (Stocked in FL)

F13E LIMITED AVAILABILITY.  
RUN ONLY ONCE OR TWICE YEARLY.

**3-1/4" X 3-1/4" STANDARD POST**

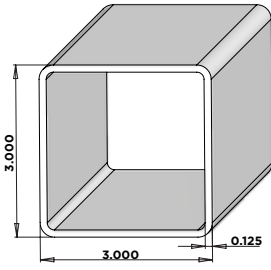
W=White, T=Tan, D=Adobe

**F15S** (0.120 wall)  
3-1/4" x 3-1/4" Standard Post  
Pcs/Pallet: 98  
AL - 16'

F15S LIMITED AVAILABILITY.  
RUN ONLY ONCE OR TWICE YEARLY.

Bagging options available for 6"x6", 5"x5", and 4"x4" in truck load quantities. See Made To Order Guidelines. Availability and profile dimensions are subject to change without notice. Check with manufacturer before ordering. All dimensions are subject to manufacturer's tolerances. Gorilla® is a registered trademark of Homeland Vinyl Products, Inc.

**GORILLA® POSTS**  
**POSTS • COLUMNS**

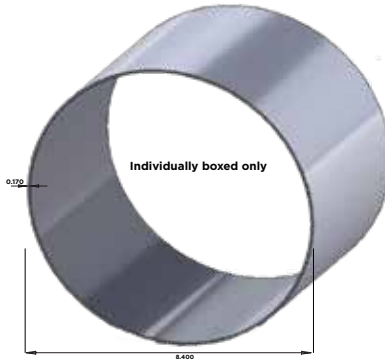


**3" X 3" CO-EX STANDARD POST**

W=White, T=Tan, D=Adobe

**F14C** (0.125 wall)  
 3" x 3" Co-Ex Standard Post  
 Pcs/Pallet: 120  
 AL - 16', 24'

**F14C LIMITED AVAILABILITY.**  
 RUN ONLY ONCE OR TWICE  
 YEARLY.



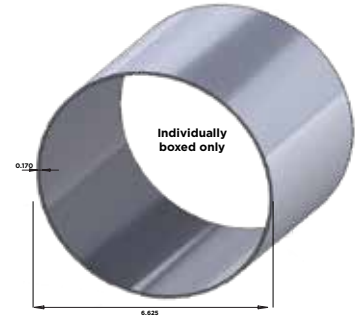
**8.40" ROUND COLUMN**

W=White, T=Tan, D=Adobe

**TD84** (0.170 wall)  
 8.40" Round Column  
 Pcs/Box: 1  
 Boxes/Skid: 10

Refer to Commodity Sheet for box costs.  
 SOLD IN SKID QUANTITIES ONLY  
 AL - 9'

**LIMITED AVAILABILITY.**  
 RUN ONLY ONCE OR TWICE  
 YEARLY.



**6.625" ROUND COLUMN**

W=White, T=Tan, D=Adobe

**TD64** (0.170 wall)  
 6.625" Round Column  
 Pcs/Box: 1  
 Boxes/Skid: 20

Refer to Commodity Sheet for box costs.  
 SOLD IN SKID QUANTITIES ONLY  
 AL - 9'

**LIMITED AVAILABILITY.**  
 RUN ONLY ONCE OR TWICE  
 YEARLY.

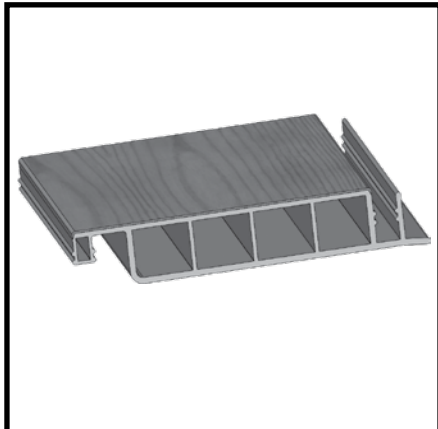
# **GORILLA DECK® & GORILLA® WOOD**

*Profiles & Accessories*



# DECK

## GORILLA DECK<sup>®</sup>, STARTER, SPLICE TRIM, FINISH TRIM



### GORILLA DECK<sup>®</sup> G3

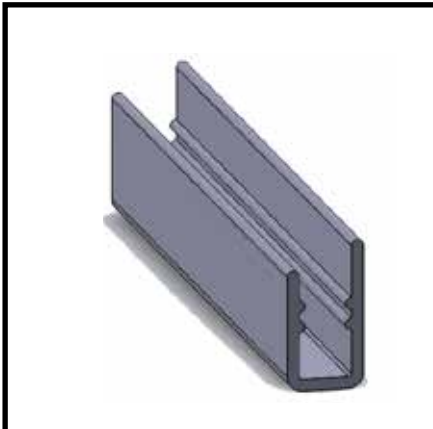
Patent #6,324,796

W=White (MTO), D=Adobe, L=Light Gray,  
F=Dark Gray, C=Chestnut, O=Mocha Walnut

**F70E**

Gorilla Deck<sup>®</sup> G3

Pcs/Pallet: 49  
AL - 12', 16', 20', 24'



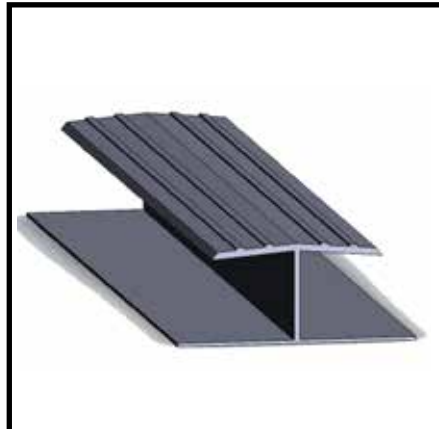
### GORILLA DECK<sup>®</sup> STARTER STRIP

W=White (MTO), D=Adobe, L=Light Gray,  
F=Dark Gray, C=Chestnut, O=Mocha Walnut

**F73G**

Gorilla Deck<sup>®</sup> Starter Strip

Pcs/Box: 24  
AL - 12'6"



### GORILLA DECK<sup>®</sup> SPLICE TRIM

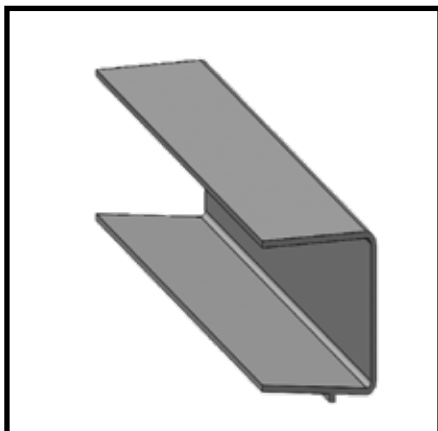
W=White (MTO), D=Adobe, L=Light Gray,  
F=Dark Gray, C=Chestnut, O=Mocha Walnut

**F74G**

Gorilla Deck<sup>®</sup> Splice Trim

Pcs/box: 8  
AL - 12'6"

Use with Gorilla Deck only.



### GORILLA DECK<sup>®</sup> FINISH TRIM

W=White (MTO), D=Adobe, L=Light Gray,  
F=Dark Gray, C=Chestnut, O=Mocha Walnut

**F75G**

Gorilla Deck<sup>®</sup> Finish Trim

Pcs/box: 20  
AL - 12'6"



### GORILLA DECK<sup>®</sup> FASCIA TRIM

W=White (MTO), D=Adobe, L=Light Gray,  
F=Dark Gray, C=Chestnut, O=Mocha Walnut

**F76G**

Gorilla Deck<sup>®</sup> Fascia Trim

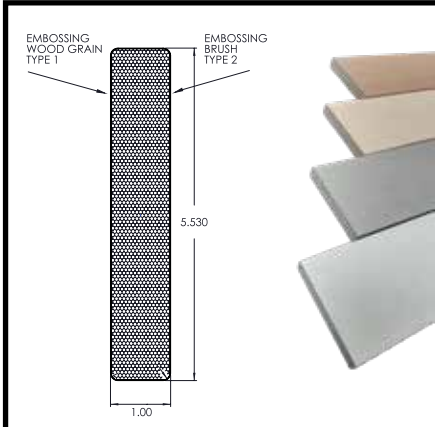
Pcs/box: 24  
AL - 12'6"

Availability and profile dimensions are subject to change without notice. Check with manufacturer before ordering. All dimensions are subject to manufacturer's tolerances. Gorilla<sup>®</sup> is a registered trademark of Homeland Vinyl Products, Inc.



# DECK

## GORILLA WOOD DECK BOARD & FASCIA



### GORILLA® WOOD DECK BOARD

D=Adobe, L=Light Gray, F=Dark Gray, C=Chestnut

**F7A1**

Gorilla Wood  
1" x 5.5" Deck Board

Pcs/Pallet: 60 (20' & 24')  
64 (12' & 16')

TN - 12', 16', 20', 24'

### GORILLA® WOOD FASCIA BOARD

W=White (MTO), D=Adobe, L=Light Gray, F=Dark Gray, C=Chestnut

**F7A2**

Gorilla Wood  
Fascia Board

Pcs/Pallet: 40  
TN - 12'

Availability and profile dimensions are subject to change without notice. Check with manufacturer before ordering. All dimensions are subject to manufacturer's tolerances. Gorilla® is a registered trademark of Homeland Vinyl Products, Inc.

MATCH • PERFECT FIT & MATCH • PERFECT FIT & MATCH • PERFECT  
CT FIT & MATCH • PERFECT FIT & MATCH • PERFECT FIT & MATCH •  
FIT & MATCH • PERFECT FIT & MATCH • PERFECT FIT & MATCH • P  
CH • PERFECT FIT & MATCH • PERFECT FIT & MATCH • PERFECT FI  
MATCH • PERFECT FIT & MATCH • PERFECT FIT & MATCH • PERFECT  
CT FIT & MATCH • PERFECT FIT & MATCH • PERFECT FIT & MATCH •

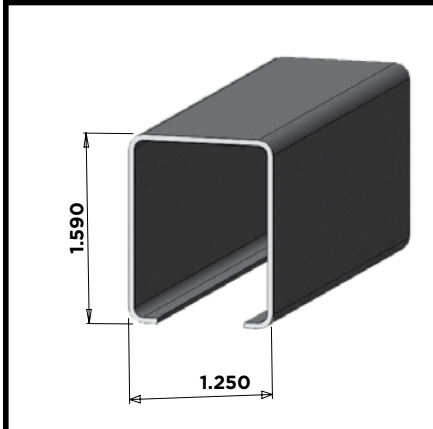
# *Inserts*

MATCH • PERFECT FIT & MATCH • PERFECT FIT & MATCH • PERFECT  
CT FIT & MATCH • PERFECT FIT & MATCH • PERFECT FIT & MATCH •  
FIT & MATCH • PERFECT FIT & MATCH • PERFECT FIT & MATCH • P  
CH • PERFECT FIT & MATCH • PERFECT FIT & MATCH • PERFECT FI  
MATCH • PERFECT FIT & MATCH • PERFECT FIT & MATCH • PERFECT  
CT FIT & MATCH • PERFECT FIT & MATCH • PERFECT FIT & MATCH •  
MATCH • PERFECT FIT & MATCH • PERFECT FIT & MATCH • PERFECT  
CT FIT & MATCH • PERFECT FIT & MATCH • PERFECT FIT & MATCH  
FIT & MATCH • PERFECT FIT & MATCH • PERFECT FIT & MATCH • P  
CH • PERFECT FIT & MATCH • PERFECT FIT & MATCH • PERFECT FI  
MATCH • PERFECT FIT & MATCH • PERFECT FIT & MATCH • PERFECT  
CT FIT & MATCH • PERFECT FIT & MATCH • PERFECT FIT & MATCH •  
MATCH • PERFECT FIT & MATCH • PERFECT FIT & MATCH • PERFECT  
CT FIT & MATCH • PERFECT FIT & MATCH • PERFECT FIT & MATCH •  
FIT & MATCH • PERFECT FIT & MATCH • PERFECT FIT & MATCH • P  
CH • PERFECT FIT & MATCH • PERFECT FIT & MATCH • PERFECT FI  
MATCH • PERFECT FIT & MATCH • PERFECT FIT & MATCH • PERFECT  
CT FIT & MATCH • PERFECT FIT & MATCH • PERFECT FIT & MATCH •



# INSERT STIFFENER

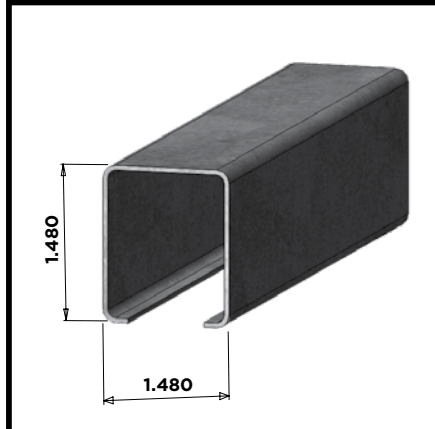
## ALUMINUM INSERTS, STEEL INSERTS



**1-1/2" STEEL INSERT -  
POCKET RAIL**

**G3RFH121-18**  
1-1/2" Steel Insert - Pocket Rail  
18 Gage  
320 Pieces Per Bundle  
UT- 71" (G3RFH121-18-71),  
93" (G3RFM147-18-93)  
TX- 93" (G3RFH121-18-93)

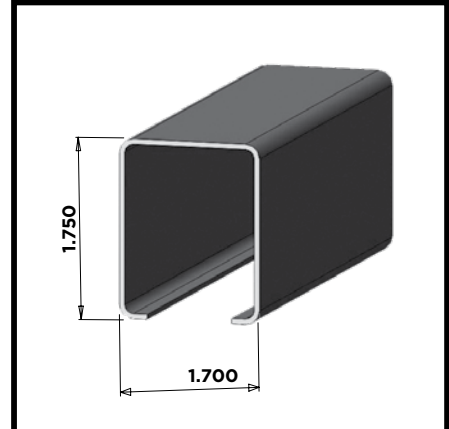
**Used with:  
1-1/2" Pocket Rails**



**1-3/4" STEEL INSERT -  
POCKET RAIL**

**G3RFM147-18**  
1-3/4" Steel Insert  
18 Gage  
320 Pieces Per Bundle  
AL- 93" (G3RFM147-18-93)  
NJ- 93" (G3RFM147-18-93)  
FL- 93" (G3RFM147-18-93)  
UT- 93" (G3RFM147-18-93)

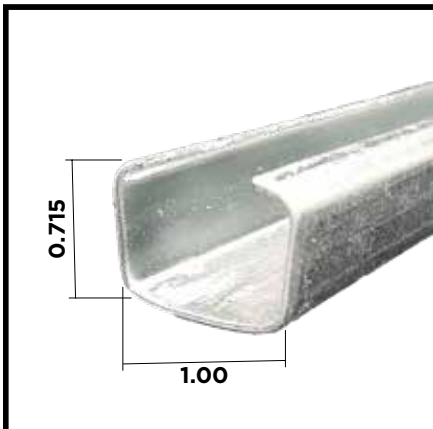
**Used with:  
1-3/4" Pocket Rails**



**2" STEEL INSERT -  
2" POCKET RAIL**

**G3RFH148-18**  
2" Steel Insert - 2" Rail  
18 Gage  
280 Pieces Per Bundle  
AL- 93" (G3RFH148-18-93)  
NJ- 93" (G3RFH148-18-93)  
UT- 71" (G3RFH148-18-71)

**Used with:  
2" Pocket Rails**



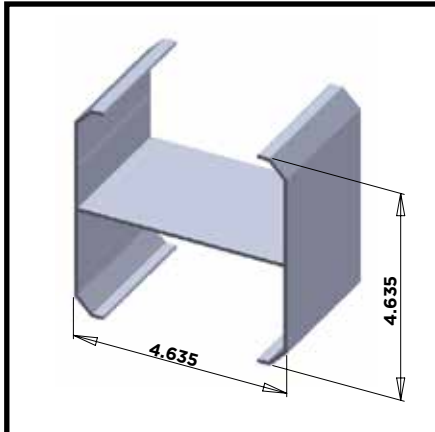
**1" STEEL T&G INSERT**

**G3RFP255U**  
1" Steel T&G Insert  
18 Gage  
200 Pieces Per Bundled  
AL- 62" (G3RFP255U-62)  
68-3/4" (G3RFP255U-68C)  
UT- 60" (G3RFP255U-60)  
68-3/4" (G3RFP255U-68C)

**Used with:  
T & G Pickets**

Availability and profile dimensions are subject to change without notice. Check with manufacturer before ordering.  
All dimensions are subject to manufacturer's tolerances.

**INSERT STIFFENER  
ALUMINUM INSERT**

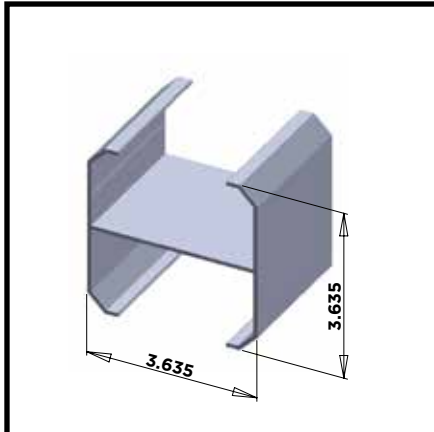


**5" X 5" ALUMINUM  
INSERT**

**G10HA288-69243**  
5" x 5"

AL - 24'  
Per Piece

**Used with:  
5" x 5" post  
(Not Gorilla wall post)**

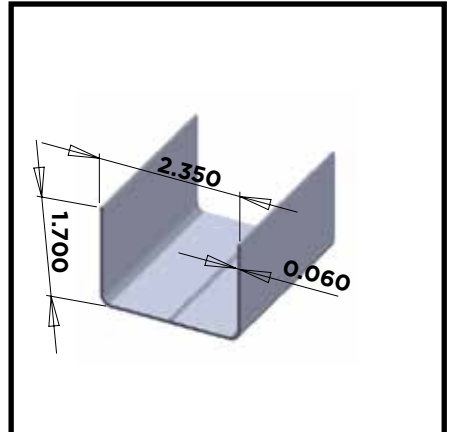


**4" X 4" ALUMINUM  
INSERT**

**G12HA288-69312**  
4" x 4"

AL - 24'  
Per Piece

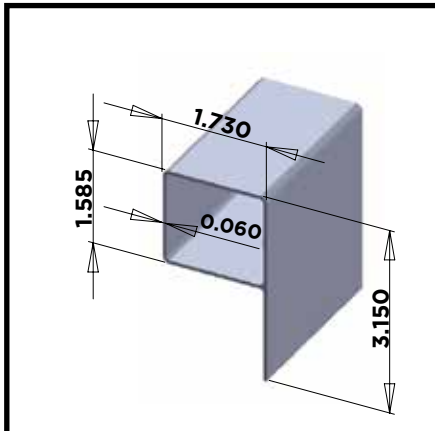
**Used with:  
4" x 4" post  
(Not Gorilla wall post)**



**2-1/8" X 2-3/4" DOWN  
- ALUMINUM INSERT**

**G26CH288-69228**  
2-1/8" x 2-3/4" Down

AL - 24'  
Per Piece

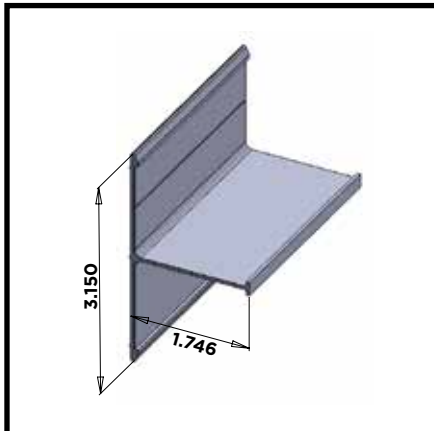


**2" X 3-1/2" & T-RAIL**

**G24PA288-69227**  
2" x 3-1/2" & T-Rail

AL - 24'  
120 Pieces per Bundle

**Used with:  
Rectangular Guard Rail,  
T-Rail, Contour and  
Deck-over Guard Rail**

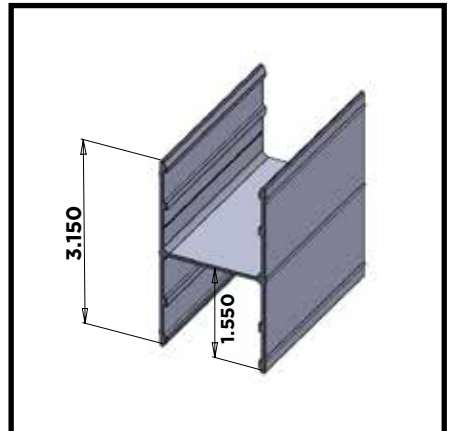


**T-BOTTOM RAIL**

**G24TA096-55028**  
T-Bottom Rail

AL - 72", 8'  
For bottom rail only  
120 Pieces per Bundle

**Used with:  
Residential Guard Rail  
Systems  
Bottom Rail Only**



**H-RAIL - ALUMINUM  
INSERT**

**G24HA096-55026**  
H-Rail

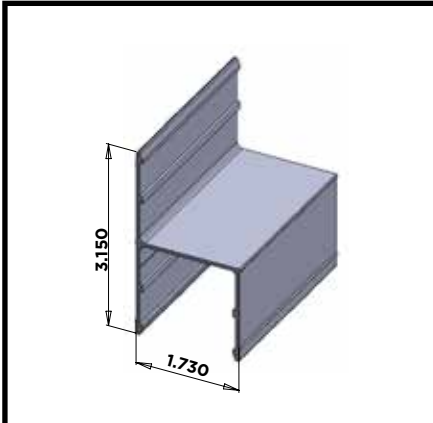
AL - 8'  
For top rail only  
120 Pieces per Bundle

**Used with:  
Residential Guard Rail  
T-Rail Only (8' Spans)**

Availability and profile dimensions are subject to change without notice. Check with manufacturer before ordering.  
All dimensions are subject to manufacturer's tolerances.

# INSERT STIFFENER

## ALUMINUM INSERTS, NEXUS®1 & NEXUS® 2

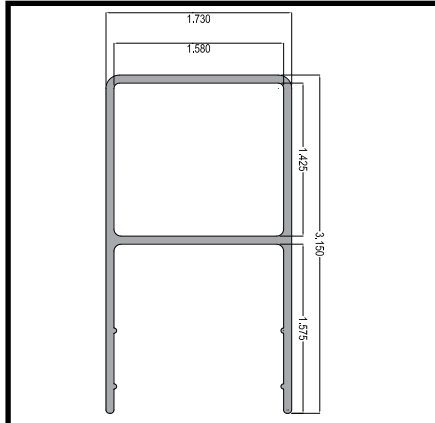


**SMALL H - ALUMINUM INSERT**

**G24hA072-55027**  
Small h

AL - 72"  
For top rail only  
120 Pieces per Bundle

**Used with:**  
**Most Residential Guard Rail**  
**(6' Spans)**  
**Not Deck-over Guard Rail**

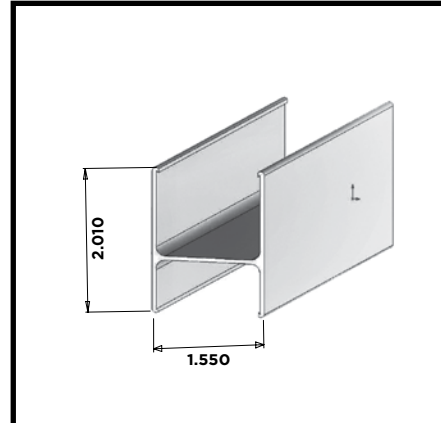


**SUMMIT 2 ALUMINUM "A" - ALUMINUM INSERT**

**G24AA120-2612**  
A Channel

AL - 10"  
For top rail only  
120 Pieces per Bundle

**Used with:**  
**Summit 2 T-Rail Guard Rail**  
**(10' Spans)**  
**Not Deck-over Guard Rail**



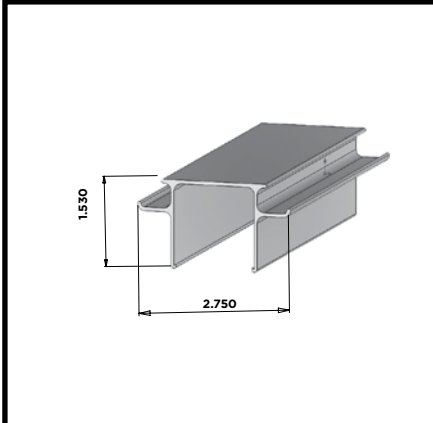
**1-3/4" X 2-1/4" NEXUS® BOTTOM ALUMINUM**

**GMB**  
1-3/4" x 2-1/4" Nexus' Bottom  
Aluminum Insert

AL - 71-3/8", 95-3/8", 119-3/8"  
Pcs/Pallet: 216

**Used with:**  
**Nexus 1 and Nexus 2**  
**Bottom Rail**

**BOTTOM RAIL**



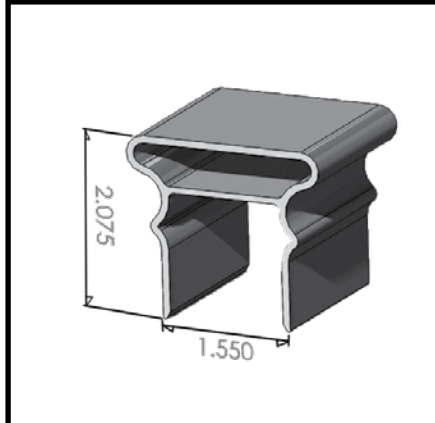
**1-3/4" NEXUS® 1 T-RAIL - TOP ALUMINUM INSERT**

**GMT**  
1-3/4" Nexus' T-Rail Top  
Aluminum Insert

AL - 71-3/8", 95-3/8", 119-3/8"  
Pcs/Pallet: 216

**Used with:**  
**Nexus 1**  
**Top Rail**

**TOP RAIL**



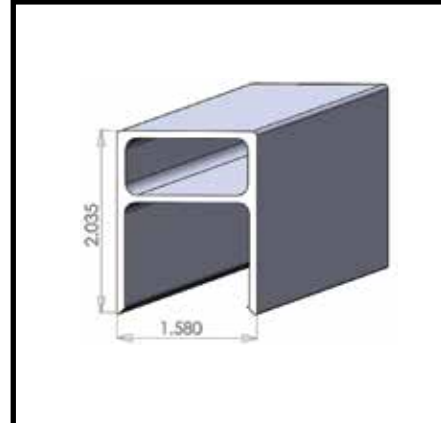
**1-3/4" NEXUS® 2 T-RAIL - TOP ALUMINUM INSERT**

**G42C**  
1-3/4" Nexus' T-Rail Top  
Aluminum Insert

AL - 71-3/8", 95-3/8", 119-3/8"  
Pcs/Pallet: 216

**Used with:**  
**Nexus 2**  
**Top Rail (96" Spans)**

**TOP RAIL**



**1-3/4" NEXUS® 2 T-RAIL - ALUMINUM "A" INSERT**

**GMXZY**  
1-3/4" Nexus' 2 T-Rail  
Aluminum "A" Insert

AL - 71-3/8", 95-3/8", 119-3/8"  
Pcs/Pallet: 216

**TOP RAIL**

Availability and profile dimensions are subject to change without notice. Check with manufacturer before ordering.  
All dimensions are subject to manufacturer's tolerances.

# INDEX

Product and Descriptions	Part #	Page #	Product and Descriptions	Part #	Page #
<b>COLUMNS, GORILLA® COLUMNS - PAGE 30</b>			<b>POCKET RAILS, PRIVACY FENCE - PAGES 7-10</b>		
8.40" Round Column	TD84	30	2" x 8" Nexus® Pocket Rail	F3P8	8
6.625" Round Column	TD64	30	1-1/2" x 8" Gorilla® Pocket Rail	F3P1	8
<b>DECK, GORILLA DECK® - PAGES 31-33</b>			2" x 7" Sun Pocket Rail	FFS7	8
Gorilla Deck® G3	F70E	32	2" x 7" Nexus® Pocket Rail	F3P2	8
Gorilla Deck® Starter Strip	F73G	32	1-3/4" x 7" Nexus® Pocket Rail	F3P7	8
Gorilla Deck® Splice Trim	F74G	32	2" x 7" Gorilla® Pocket Rail	F3BF	8
Gorilla Deck® Finish Trim	F75G	32	1-3/4" x 5-1/2" Nexus® Pocket Rail	F3P5	9
Gorilla Deck® Fascia Trim	F76G	32	1-3/4" x 5-1/2" Nexus® Mid-Rail	F3PM	9
Gorilla® Wood Deck Board	F7A1	33	1-3/4" x 5-1/2" Gorilla® Pocket Rail	F37C	9
Gorilla® Wood Fascia Board	F7A2	33	1-1/2" x 5-1/2" Gorilla® Pocket Rail	F32G	9
<b>FASCIA, GORILLA® POST WRAPS, FOR DECKING - PAGES 25-26</b>			2" x 7" Hometown Pocket Rail	F3HT	10
1-3/4" x 10' Gorilla® Post Wrap			2" x 7" Majestic Pocket Rail	F3MJ	10
Corner Trim	FMWC	26	<b>POSTS, GORILLA® POSTS - PAGES 27-30</b>		
4" x 10' Gorilla® Post Wrap			8" x 8" Standard Post	F06C	28
Coverage Slat	FMW4	26	6-1/2" x 6-1/2" Gorilla® Post	F08S	28
6" x 10' Gorilla® Post Wrap			6-1/2" x 6-1/2" Post	F08E	28
Coverage Slat	FMW6	26	6" x 6" Standard Post	F09C	28
8" x 10' Gorilla® Post Wrap			5" x 5" Gorilla® Post	F10K	28
Coverage Slat	FMW8	26	5" x 5" Standard Post	F10C	28
10" x 10' Gorilla® Post Wrap			5" x 5" Utility Post	F10E	28
Coverage Slat	FMW0	26	5" x 5" Utility Ranch Post	F10J	28
12" x 10' Gorilla® Post Wrap			5" x 5" Economy Post	F10M	28
Coverage Slat	FMW2	26	4" x 4" Gorilla® Post	F12C	29
<b>GATE BRACE, FENCE/SPECIALTY PRODUCT - PAGE 14</b>			4" x 4" Standard Post	F12N	29
Gate Support Brace	F86S	14	4" x 4" Utility Post	F12E	29
<b>GORILLA® FENCE, PRIVACY FENCE - PAGE 17</b>			4" x 4" Value Post	F12V	29
5" x 5" Gorilla® H-Post	FTG1	17	3-1/2" x 3-1/2" Utility Post	F13E	29
1-1/2" Gorilla® Post Insert	FTG2	17	3-1/4" x 3-1/4" Standard Post	F15S	29
1-3/4" Gorilla® Fence U-Channel	FTG3	17	3" x 3" Co-Ex Standard Post	F14C	30
<b>GORILLA® PICKET CHANNEL, FENCE/SPECIALTY PRODUCT - PAGE 14</b>			<b>POST WRAPS - PAGES 25-26</b>		
Gorilla® Picket Channel	FTG4	14	8 PIECE GORILLA® POST WRAPS		
<b>HAND RAILING, GORILLA® GUARD RAIL - PAGES 18-20</b>			1-3/4" x 10' Gorilla® Post Wrap		
2" x 3-1/2" SUMMIT®, T-RAIL, CONTOUR			Corner Trim	FMWC	26
2" x 3-1/2" Hollow Utility Rail	F24E	19	4" x 10' Gorilla® Post Wrap		
2" x 3-1/2" Hollow Standard Rail	F24C	19	Coverage Slat	FMW4	26
3-1/2" Gorilla® T-Rail	F35C	19	6" x 10' Gorilla® Post Wrap		
3" Contour Rail	F36S	19	Coverage Slat	FMW6	26
NEXUS® 1-3/4" x 2-1/4"			8" x 10' Gorilla® Post Wrap		
1-3/4" x 2-1/4" Nexus® Rail	F3PB	20	Coverage Slat	FMW8	26
1-3/4" Nexus®1 T-Rail	F34C	20	10" x 10' Gorilla® Post Wrap		
1-3/4" Nexus®2 T-Rail	F3N2	20	Coverage Slat	FMW0	26
SPECIALTY			12" x 10' Gorilla® Post Wrap		
4-1/2" Gorilla® Rail	FTB	20	Coverage Slat	FMW2	26
Palisade Rail	FHP1	20	<b>4 PIECE GORILLA® POST WRAPS</b>		
<b>INSERTS, ALUMINUM &amp; STEEL STIFFENERS - PAGES 34-37</b>			4" x 4" x 10' Gorilla® Post Wrap -		
5" x 5" Aluminum Insert	G10HA288-69243	36	4 Piece	FPW4	26
4" x 4" Aluminum Insert	G12HA288-69312	36	6" x 6" x 10' Gorilla® Post Wrap -		
2-1/8" x 2-3/4" Down -			4 Piece	FPW6	26
Aluminum Insert	G26CH288-69228	36	<b>PRIVACY PICKETS, PRIVACY FENCE - PAGES 10-12</b>		
2" x 3-1/2" & T-Rail	G24PA288-69227	36	7/8" x 11.3" Gorilla® T&G	F61S	10
1-3/4" x 2-1/4" Nexus® Bottom			7/8" x 11.3" Gorilla® Locking Picket	F61L	11
Aluminum Insert	GMB	37	7/8" x 7" Gorilla® T&G	F62S	11
1-3/4" Nexus®1 T-Rail -			7/8" x 6" Gorilla® T&G	F54G	11
Top Aluminum Insert	GMT	37	7/8" x 6" Homewood® T&G	F54C	11
1-3/4" Nexus®2 T-Rail -			7/8" x 6" Gorilla® Decorative		
Top Aluminum Insert	G42C	37	Locking Picket	F54D	11
1-3/4" Nexus®2 T-Rail -			7/8" x 6" Gorilla® Locking Picket	F54L	11
Aluminum "A" Insert	GMXZY	37	7/8" x 14" Gorilla® Privacy		
T-Bottom Rail Insert	G24TA096-55028	36	No Emboss Panel	F55B	12
H-Rail - Aluminum Insert	G24HA096-55026	36	7/8" x 6" Ribbed Standard	F56R	12
Small H - Aluminum Insert	G24hA072-55027	37	<b>RAILS, FENCE - PAGES 12-13, 19 &amp; 20</b>		
1-1/2" Steel Insert - Pocket Rail	G3RFH121-18	35	2" x 8" Ribbed Rail	F20R	12
1-3/4" Steel Insert	G3RFM147-18	35	2" x 8" Hollow Rail	F20S	12
2" Steel Insert - 2" Rail	G3RFH148-18	35	2" x 6" Hollow Rail	F22E	12
1" Steel T&G Insert	G3RFP255U	35	2" x 6" Ribbed Rail	F22C	12
<b>LATTICE CHANNEL, FENCE/SPECIALTY PRODUCT - PAGE 15</b>			2" x 3-1/2" Hollow Utility Rail	F24E	13
3/4" Lattice Channel	F89S	15	2" x 3-1/2" Hollow Standard Rail	F24C	13
<b>PICKETS, FENCE &amp; GUARD RAILS - PAGES 21-24</b>			2-1/8" x 2-3/4" Standard Rail	F26S	20
1-3/4" x 1-3/4" Standard Pickets	F41S	22	1-1/2" x 5-1/2" Ribbed Utility Rail	F27E	13
1-1/2" x 1-1/2" Standard Pickets	F42S	22	1-1/2" x 5-1/2" Utility Value Rail	F27M	13
1-3/8" x 1-3/8" Standard Pickets	F43C	22	1-1/2" x 5-1/2" Homewood®		
1" x 1" Standard Pickets	F45S	22	Ribbed Rail	F27C	13
1-1/4" x 1-1/2" Standard Pickets	F47S	23	1-3/4" x 3-1/2" Hollow Standard Rail	F25B	13
7/8" x 1-1/2" Standard Pickets	F65S	23	1-1/2" x 2-3/4" Standard Rail	F23S	13
7/8" x 3" Standard Pickets	F57C	23	<b>TRIM CHANNEL, FENCE/SPECIALTY PRODUCT - PAGE 14</b>		
7/8" x 3" Spade Picket	F57C-SPC	23	7/8" Trim Channel	F83U	14
7/8" x 3" Dog Ear Picket	F57C-DEC	23	<b>TUF-FENCE®, PRIVACY FENCE - PAGES 16</b>		
1-1/2" x 1-1/2" Standard Pickets	F42S-SPD	24	Tuf-Fence® H-Post	FT01	16
1" x 2" Standard Pickets	F48S	24	Tuf-Fence® Pocket Rail	FT12	16
1" x 4" Utility Pickets	F49U	24	Tuf-Fence® Lattice Top Rail	FT13	16
2" x 3-1/2" Hollow Utility Rail	F24E	19	Tuf-Fence® Mid-Rail	FT11	16
2" x 3-1/2" Hollow Standard Rail	F24C	19	<b>Tuf-Fence® H-Post Insert for</b>		
2-1/8" x 2-3/4" Standard Rail	F26S	20	H-Post	FT02	16
<b>U-CHANNEL, FENCE/SPECIALTY PRODUCT - PAGE 14</b>			Tuf-Fence® U-Channel (Long Leg)	FT03	16
7/8" U-Channel Standard	F83S	14			

## TERMS AND CONDITIONS

**TERMS OF PAYMENT** – Terms of payment are set forth on the invoice. If no payment terms are listed on the invoice, then the default terms of payment are payment in full at time of shipment. Payment may be made by check (subject to check clearing), ACH electronic fund transfer, or wire transfer. Payment may be made by credit card only with prior written approval by an authorized Homeland Vinyl Products, Inc. (“Homeland”) representative – additional fees may apply. At Homeland’s request, Customer shall complete or update an Application for Trade Account signed by a corporate officer, managing member, partner, or owner. Customer agrees that prior to Homeland providing or extending credit terms, Homeland shall have the right to demand financial information, including financial data, credit checks, and payment history. Credit terms are subject to change at Homeland’s sole discretion. Homeland reserves the right to withhold shipment on any order for customer accounts that are in arrears until the accounts are paid in full. Customer agrees that accounts not paid within terms will be charged interest at the rate of 1.5% per month, and Customer agrees to pay all amounts due, including interest, fees, and costs of collection upon demand by Homeland. Prices are subject to change without notice.

**PLACING ORDERS** – All orders must be submitted in writing to Homeland, and must describe with specificity part numbers, color, detailed descriptions, and quantities. Illegible orders will not be accepted. All orders are subject to Homeland’s acceptance, approval, and these Terms and Conditions, whether or not these Terms and Conditions are included in Homeland’s written confirmation to Customer.

**CANCELLATION** – Following Homeland’s written confirmation of Customer’s order, Customer shall not be permitted to cancel, whether in whole or part, any order and shall be obligated to pay the entire invoice.

**SHIPMENT** – All prices are F.O.B. Homeland Vinyl Products Inc. Origin Freight Collect, unless otherwise set forth on the invoice or otherwise agreed upon in writing signed by an authorized Homeland representative. Products listed on the invoice (the “Products”) are invoiced at Homeland’s prices prevailing at time of shipment. Method, origin, and route of shipment are subject to Homeland’s sole discretion unless Customer and an authorized Homeland representative agree in writing to other explicit shipping instructions. Customer bears any and all shipping expenses and costs in excess of those charges explicitly acknowledged in writing by an authorized Homeland representative. Customer is exclusively responsible for providing Homeland a correct shipping address.

**FORCE MAJEURE & DELAYS** – Homeland is not and shall not be liable for any obligations, delays, or damages incurred by Customer under any purchase order, invoice, or other agreement between the parties if Homeland’s non-performance is or was due to a Force Majeure Event, as described here: any act of God; war; riot; civil strife; act of terrorism, domestic or foreign; embargo; government rule, regulation, or decree; flood, fire, hurricane, tornado, or other casualty; epidemic, pandemic, outbreak of communicable disease, viral outbreak, or quarantine; national or regional emergency; action of any governmental authority; earthquake; strike; lockout, or other labor disturbance; the unavailability of labor or materials to the extent beyond the control of Homeland; any delay in the performance of orders or in the delivery of shipments of products; or any other events or circumstances not within the reasonable control of Homeland, whether similar or dissimilar to any of the foregoing. Upon occurrence of a Force Majeure Event, Homeland shall promptly notify the Customer that such an event has occurred and its anticipated effect on performance, including its expected duration if known. Notwithstanding the foregoing, no Force Majeure Event experienced by Homeland shall excuse Customer’s obligation to make payments due and owing prior to such event.

**TAXES** – Any and all sales taxes, manufacturer taxes, excise taxes or other charges levied or imposed by any governmental authority, agency or entity, foreign or domestic, upon any Products sold or contracted to be sold shall be paid by Customer and appropriate tax exemption certificates must be delivered in such form to Homeland and with such content as are satisfactory to Homeland.

**INSPECTION AND ACCEPTANCE** – CUSTOMER SHALL CAREFULLY EXAMINE ALL PRODUCTS DESCRIBED IN THE INVOICE IMMEDIATELY UPON DELIVERY. CUSTOMER MUST PROVIDE HOMETLAND WITH WRITTEN NOTICE OF ANY ALLEGED DEFECTIVE PRODUCT WITHIN SIXTY (60) DAYS AFTER DELIVERY. CUSTOMER’S FAILURE TO NOTIFY HOMETLAND IN WRITING OF ANY DEFECTS IN THE PRODUCTS WITHIN SIXTY (60) DAYS AFTER DELIVERY CONSTITUTES THE UNQUALIFIED ACCEPTANCE OF SUCH PRODUCTS AND THE WAIVER BY CUSTOMER OF ANY AND ALL CLAIMS OR DEFENSES WITH RESPECT THERETO. Customer is exclusively responsible to unload all Products. Within forty-eight (48) hours of Customer’s receipt of each shipment, Customer shall inspect the shipment and compare all containers and Products to the packing list for the shipment. If the quantities received and the quantities on the packing list are not the same, Customer shall notify Homeland immediately. Within forty-eight (48) hours of Customer’s receipt of each shipment, Customer is responsible to inspect packaging materials and products for dents, tears, breakages, or other visible damage to packaging or products, and to note such matters on shipping documents provided to the freight carrier and Homeland. If Customer fails to notify Homeland within 48 hours after receipt of any such matters, Homeland shall no longer be responsible or liable for damaged items or items missing from the shipment.

**CUSTOMER’S EXCLUSIVE REMEDY** – The exclusive remedy of Customer shall be limited to any of the following: (1) the replacement of any defective Product by Homeland, (2) the return of any defective Product and refund of the purchase price by Homeland, or (3) the issuance of a credit by Homeland in an amount equal to the purchase price paid by Customer for any defective Product. The selection of any of the aforesaid exclusive remedies shall be at Homeland’s sole discretion. In the event Customer requests a credit for any defective Product, Customer agrees (1) such product shall no longer be covered by Homeland’s warranty, (2) Homeland expressly disclaims any warranty, written or implied, associated with such product, and (3) Customer shall defend and indemnify Homeland against any and all claims associated with such product that Customer thereafter delivers, distributes or sells to third parties.

**LIMITED WARRANTY** – Homeland warrants that the Products are free of defects in materials and workmanship as set forth in Homeland’s warranty located at [www.homelandvinyl.com](http://www.homelandvinyl.com).

**WARRANTY DISCLAIMERS** – THE LIMITED WARRANTY AND EXCLUSIVE REMEDY DESCRIBED ABOVE ARE EXPRESSLY IN LIEU OF ANY OTHER REMEDIES AND WARRANTIES, EXPRESSED OR IMPLIED, ON THE PART OF HOMETLAND CONCERNING THE PRODUCTS. HOMETLAND DISCLAIMS, WITHOUT LIMITATION, ANY IMPLIED WARRANTIES OF MERCHANTABILITY AND FITNESS FOR A PARTICULAR PURPOSE. HOMETLAND DISCLAIMS ANY WARRANTIES NOT EXPRESSLY SET FORTH IN HOMETLAND’S WRITTEN WARRANTY SET FORTH AT [www.homelandvinyl.com](http://www.homelandvinyl.com). HOMETLAND NEITHER ASSUMES NOR AUTHORIZES ANY OTHER PERSON, FIRM OR CORPORATION TO OBLIGATE HOMETLAND WITH RESPECT TO ANY LIABILITY OR OBLIGATIONS IN CONNECTION WITH THE SALE OF HOMETLAND PRODUCTS. CUSTOMER ACKNOWLEDGES THAT NO REPRESENTATION EXCEPT THOSE MADE HEREIN HAVE BEEN MADE TO CUSTOMER BY OR ON BEHALF OF HOMETLAND CONCERNING THE PRODUCTS AND THAT CUSTOMER HAS NOT AND WILL NOT RELY ON ANY OTHER REPRESENTATIONS REGARDING WARRANTIES OR QUALITY OF HOMETLAND PRODUCTS EXCEPT AS SET FORTH IN HOMETLAND’S WARRANTY SET FORTH AT [www.homelandvinyl.com](http://www.homelandvinyl.com). CUSTOMER AND ANY THIRD PARTIES TO WHOM IT SELLS THE PRODUCTS ARE EXCLUSIVELY RESPONSIBLE FOR DETERMINING WHETHER THE PRODUCTS MEET APPLICABLE LAWS OR LOCAL BUILDING CODES AND WHETHER PRODUCTS ARE SUITABLE FOR THE INTENDED USES OF END-USERS, AND CUSTOMER AGREES HOMETLAND IS NOT RESPONSIBLE FOR DETERMINING SUITABILITY FOR INTENDED USES OR SATISFACTION OF APPLICABLE LAWS OR BUILDING CODES.

**RISK OF LOSS** – Unless otherwise specified herein, all prepaid expenses (e.g., freight, special handling charges such as after-hours loading, etc.) will be added to the order at time of invoicing and described on the invoice. RISK OF LOSS SHALL PASS TO CUSTOMER UPON DELIVERY OF THE PRODUCTS BY HOMETLAND TO THE CARRIER, AND CUSTOMER’S SOLE RECOURSE FOR DAMAGE TO OR LOSS OF GOODS IN TRANSIT SHALL BE AGAINST THE CARRIER. HOMETLAND WILL PROVIDE NO INSURANCE UNLESS CUSTOMER HAS MADE SPECIFIC ARRANGEMENTS PRIOR TO SHIPMENT AND HOMETLAND HAS CONFIRMED SUCH ARRANGEMENTS IN WRITING.

**RETURNED MERCHANDISE** – All returns of Products for credit must have the prior written approval of an authorized Homeland representative and must be for justifiable reasons. Any credit extended for such approved returns will be based on the invoice price of the returned Products at time of purchase by Customer less a restocking charge of 20%. No Products shall be returned for credit which have been damaged or otherwise rendered unusable, unless otherwise approved in writing by an authorized Homeland representative. Custom and special order items will not be accepted for return. All returned Products shall be returned freight prepaid by Customer with Customer assuming the risk of loss until Homeland receives the Products.

**ADDITIONAL LIMITATIONS ON LIABILITY** – The invoice, including these Terms and Conditions, sets forth the sole and exclusive remedies available to the Customer and that Homeland’s liabilities to Customer are limited as set forth herein. Homeland has not granted or assumed any other warranties, guarantees, duties, liabilities, or obligations, expressed, implied, statutory, at law or in equity. No breach of warranty or breach of contract or other failure by Homeland to fulfill any other duties or conditions shall constitute a failure of the essential purpose of the exclusive limited remedies set forth herein. HOMETLAND SHALL UNDER NO CIRCUMSTANCES BE LIABLE FOR SPECIAL, INCIDENTAL, EXEMPLARY, PUNITIVE, INDIRECT, OR CONSEQUENTIAL DAMAGES, including, but not limited to, any damages related or attributable to loss of profits, anticipated revenue, interest, loss of use, loss by reason of plant or facility shutdown, nonoperation, cost of substitute products, equipment, facilities or services, additional usage of utilities, cost incurred in removing defective or nonconforming Products or equipment, delays in installation of the work or the completion of any projects in which equipment is being installed, or other claims arising from any cause whatsoever, whether or not such loss or damage is based in contract, warranty, tort (including negligence), strict liability, indemnity, contribution or otherwise. Customer agrees Homeland shall have no liability whatsoever unless Customer makes payment in full to Homeland for the Products.

**DISPUTES** – In the event of Customer’s failure to pay amounts due under any invoice, and if Customer has failed to notify Homeland of defective product claims pursuant to the procedures set forth in these Terms and Conditions, Customer agrees to waive any defenses to Homeland’s demands and claims for payment. These Terms and Conditions shall be governed by the laws of the State of Utah (without regard to the conflicts of law provisions thereof). Customer hereto consents to the jurisdiction of the state and federal courts located in Salt Lake County, Utah as the exclusive jurisdiction of the resolution of any claims or disputes related hereto. CUSTOMER WAIVES ANY RIGHT TO A TRIAL BY JURY IN ANY JURISDICTION.

**SEVERABILITY** – In the event that a court of competent jurisdiction determines that a provision or provisions of the invoice, including these Terms and Conditions, is (are) void or unenforceable, such determination shall in no way affect the validity of enforceability of the remaining provisions hereof.

**ENTIRE AGREEMENT** – These Terms and Conditions, together with any invoice from Homeland, set forth the entire agreement between Homeland and Customer concerning the Products, and may not be changed or modified except in a writing signed by Homeland and Customer. No representations, understandings, or agreements have been made to or relied upon by Customer other than those specifically set forth in the invoice. Customer agrees that Homeland’s Terms and Conditions apply exclusively to the parties’ commercial relationship, unless otherwise agreed upon in a writing signed by Customer and an authorized Homeland representative. By purchasing Homeland’s Products, Customer agrees that any and all terms, conditions or other contractual provisions provided in any writing or communication sent by Customer are null, void, unenforceable, and of no legal effect upon Homeland.