

RediPak Program 2025

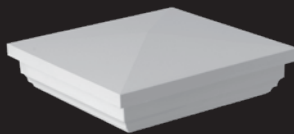
Homeland Vinyl Products, Inc.



RediPak by Homeland Vinyl Products, Inc. offers high quality at a value price. RediPaks are beautiful, sturdy, strong, and made with top-quality materials. A RediPak fence will stand the test of time and bring enjoyment for many years to come without the hassle of painting. Prior to installation, consult your local building department to address applicable building codes.

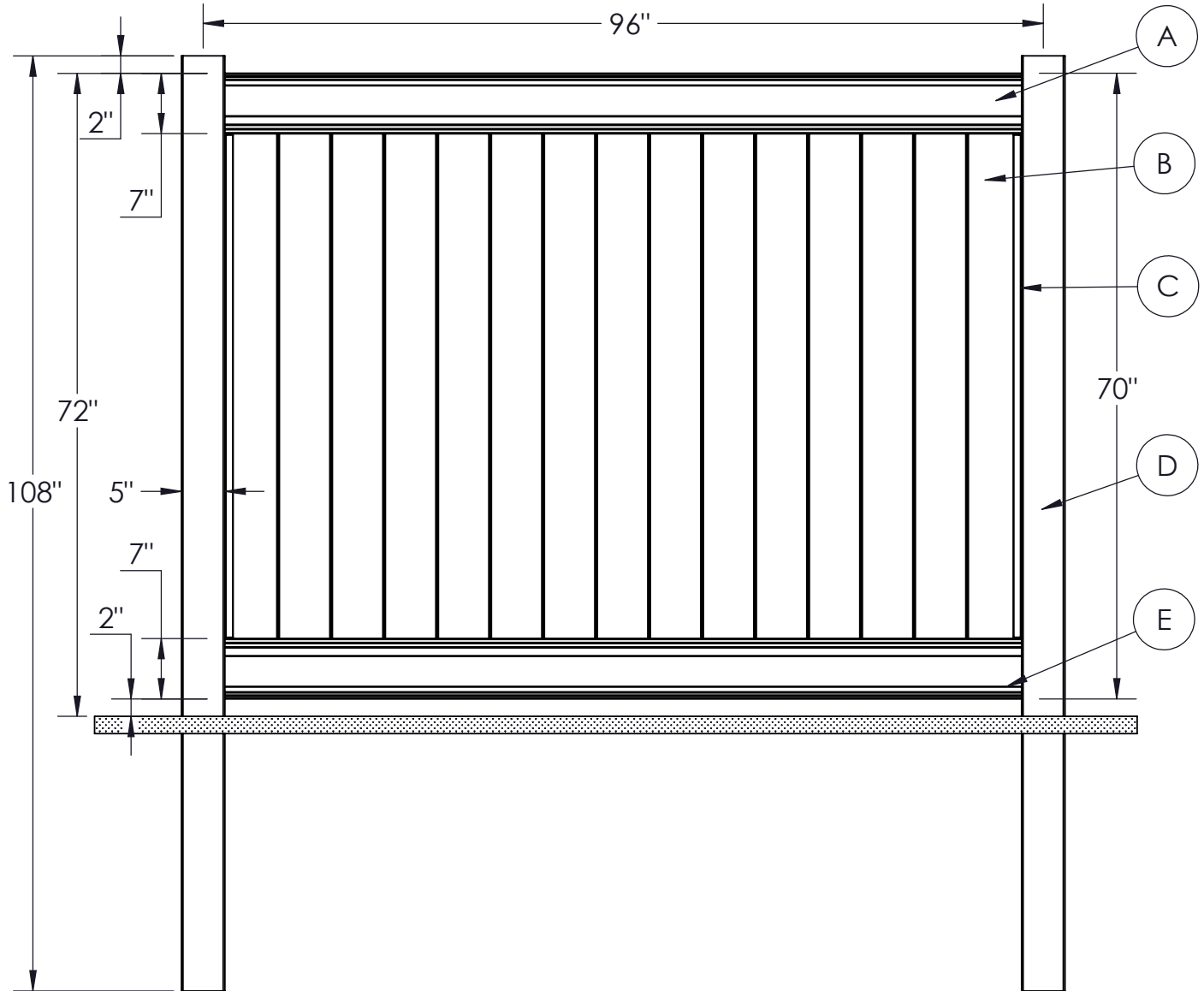


Waymark Accessories can add extra value. Add a decorative cap or even solar lighting to RediPak. Metal and Tiffany style tops are also available to add a more elegant appearance.

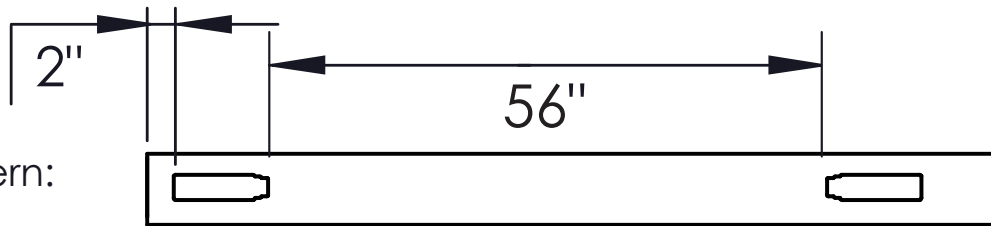


WaymarkProducts.com

6'H X 8'W - 2" x 7" Nexus RediPak - 70" Body



Key	Quantity	Item Key	Description
A	2	F3P2	2" x 7" x 94" Nexus Pocket Rail
B	15	F54G	7/8" x 6" x 59½" Gorilla T&G
C	2	F83U	7/8" x 56" Trim Channel
D	2	F10E	5" x 5" x 108" Co-Ex Utility Post
E	1	G3RFH148	2" x 93" Steel Insert (Bottom Rail)



Route Pattern:
#R123



This drawing is the property of Homeland Vinyl Products, Inc. It is not to be reproduced, copied or traced in whole or in part without the written consent of Homeland Vinyl Products, Inc.

TITLE:

6'H x 8'W 2" x 7" Nexus RediPak
(70" Body)

DRAWN BY:

ALW

DATE:

12/8/2023

SCALE:

1 : 18

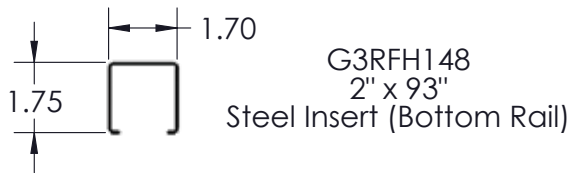
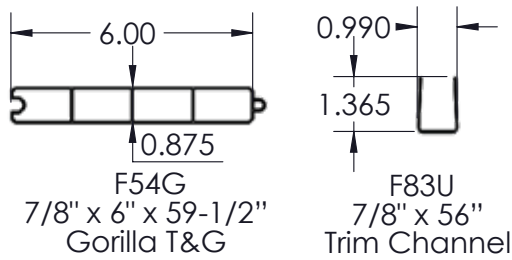
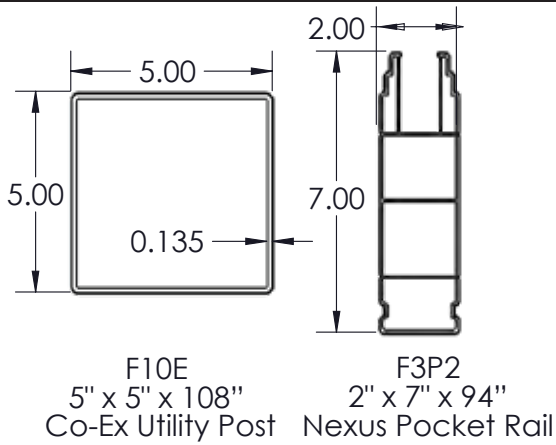
ROUTE PATTERN:

R-123

DWG NO.:

HVRP-11

6'H X 8'W - 2" x 7" Nexus RediPak - 70" Body



PLANT AVAILABILITY

**ALABAMA
ONLY**

BULK

59-1/2" T&G for 8' Rail Bundle		
346 pcs of T&G / Bundle	WHITE	F54GW59B346
	TAN	F54GT59B346
	ADOBE	F54GD59B346
2" x 7" X 94" Nexus Pocket Rail Bundle		
66 pcs. / Bundle Notched	WHITE	F3P2W094066-K
	TAN	F3P2T094066-K
	ADOBE	F3P2D094066-K
5" X 5" X 108" Co-Ex Utility Post Bundle		
81 pcs of 5" x 5" x 108" Co-Ex Utility Posts / Bundle	WHITE	F10EW108081
	TAN	F10ET108081
	ADOBE	F10ED108081
7/8" x 56" Trim Channel Bundle		
840 pcs. / Bundle	WHITE	F83UW056840
	TAN	F83UT056840
	ADOBE	F83UD056840

REDI PAK

59-1/2" T&G RediPak Bundle for 8' Rail		
315 pcs of T&G / 21 Pks of 15	WHITE	F54HW59B315
	TAN	F54HT59B315
	ADOBE	F54HD59B315
2" x 7" X 94" Nexus Pocket Rail RediPak Bundle		
2 Pcs of Rail, Insert (Tan & Adobe only), Trim / Pack 33 Rail Packs / Bundles	WHITE	F3PRW094033
	TAN	F3PRT094033-S
	ADOBE	F3PRD094033-S
5" X 5" X 108" Co-Ex Utility Routed Post Bundle		
81 pcs of 5" x 5" x 108" Co-Ex Utility Posts / Bundle	WHITE	F10EW108081-R123
	TAN	F10ET108081-R123
	ADOBE	F10ED108081-R123

TRUCK DRAWING ON FOLLOWING PAGES



This drawing is the property of Homeland Vinyl Products, Inc. It is not to be reproduced, copied or traced in whole or in part without the written consent of Homeland Vinyl Products, Inc.

TITLE:

6'H x 8'W 2" x 7" Nexus RediPak
(70" Body)

DRAWN BY:

ALW

DATE:

12/8/2023

SCALE:

1 : 24

ROUTE PATTERN:

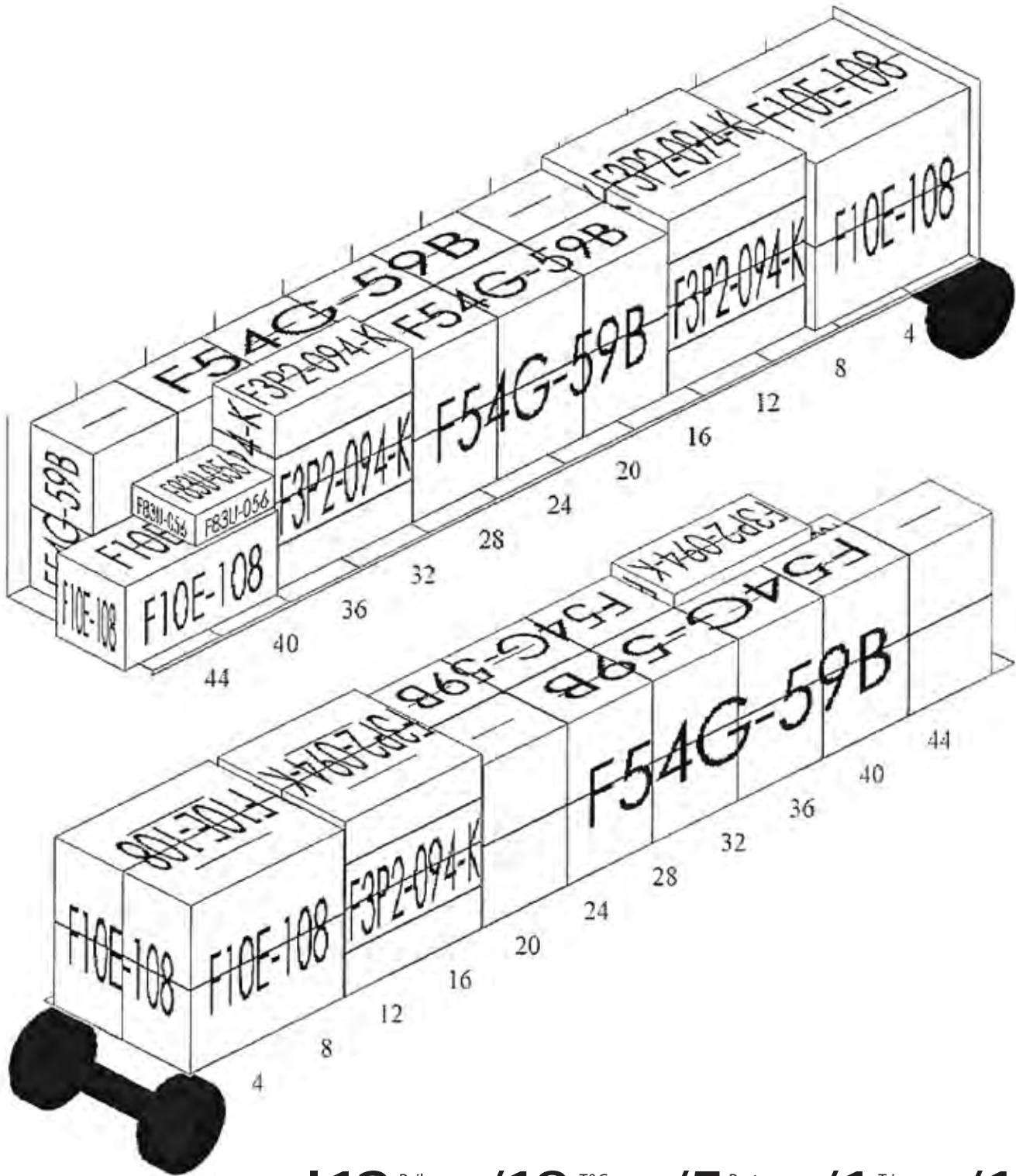
R-123

DWG NO.

HVRP-11

6'H X 8'W - 2" x 7" Nexus - 70" Body

BULK TRUCK DRAWING



12 Rail Bundles PER TRUCK / **18** T&G Bundles PER TRUCK / **5** Post Bundles PER TRUCK / **1** Trim Bundles PER TRUCK / **1** Optional Steel Insert Bundles PER TRUCK

48' TRUCK

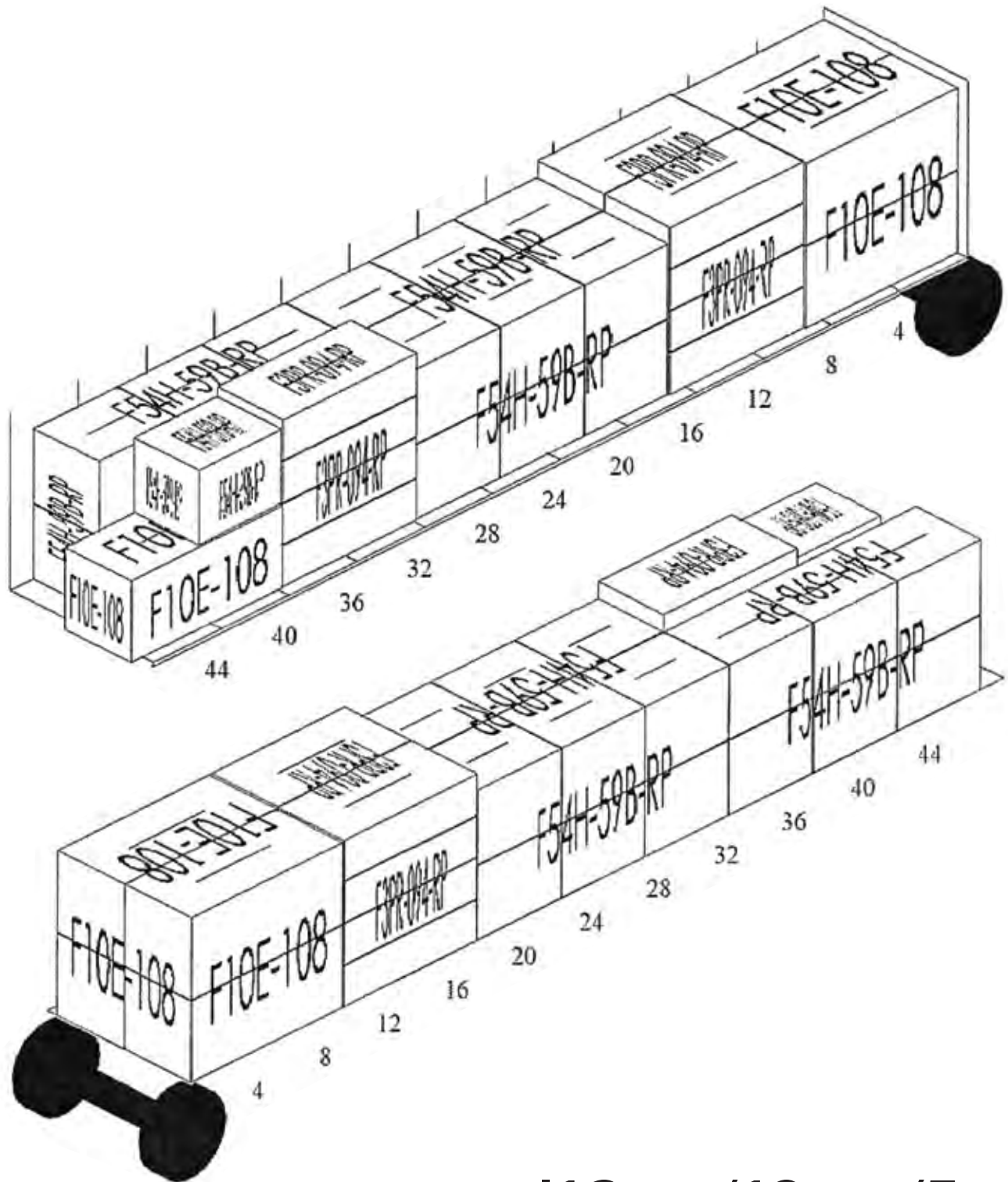


This drawing is the property of Homeland Vinyl Products, Inc. It is not to be reproduced, copied or traced in whole or in part without the written consent of Homeland Vinyl Products, Inc.

TITLE: 6'H x 8'W 2" x 7" Nexus Bulk (70" Body)				
DRAWN BY: ALW	DATE: 12/8/2023	SCALE: 1 : 24	ROUTE PATTERN: R-123	DWG NO. HVRP-11

6'H X 8'W - 2" x 7" Nexus RediPak - 70" Body

REDIPAK TRUCK DRAWING



12 Rail Bundles PER TRUCK / **19** T&G Bundles PER TRUCK / **5** Post Bundles PER TRUCK
 48' TRUCK



This drawing is the property of Homeland Vinyl Products, Inc. It is not to be reproduced, copied or traced in whole or in part without the written consent of Homeland Vinyl Products, Inc.

TITLE:

6'H x 8'W 2" x 7" Nexus RediPak (70" Body)

DRAWN BY:

ALW

DATE:

12/8/2023

SCALE:

1 : 24

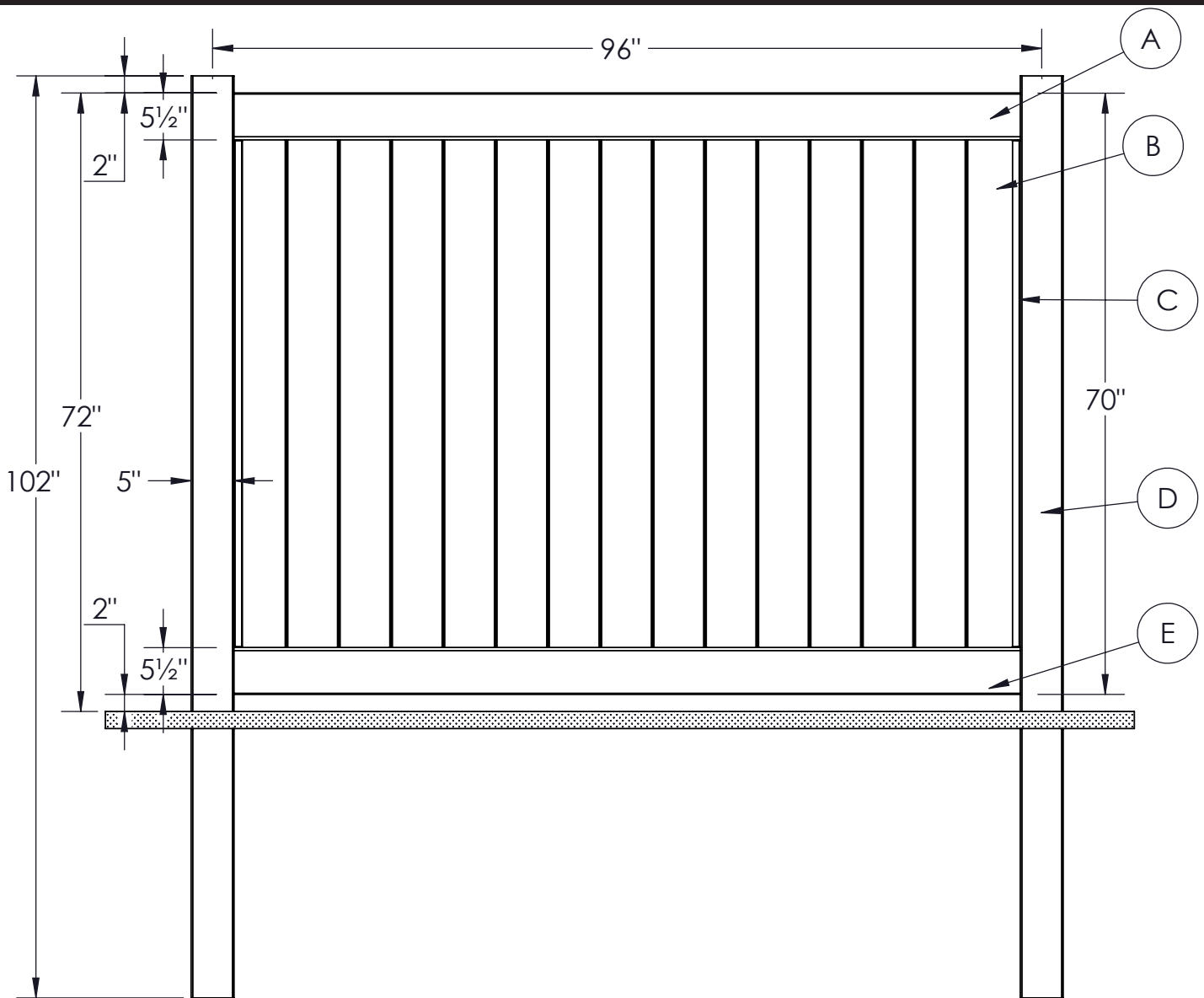
ROUTE PATTERN:

R-123

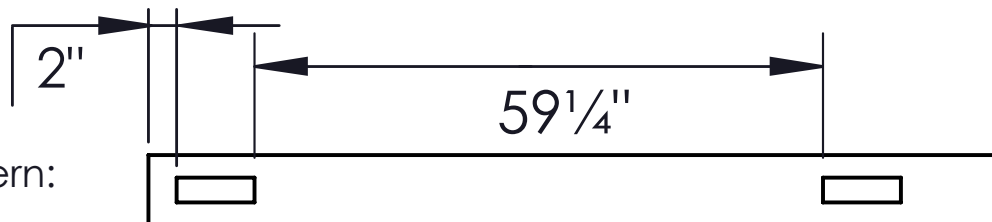
DWG NO.

HVRP-11

6'H X 8'W - 1-3/4" x 5-1/2" Gorilla Pocket Rail RediPak - 70" Body



Key	Quantity	Item Key	Description
A	2	F37C	1 3/4" x 5 1/2" x 94" Gorilla Pocket Rail
B	15	F54G	7/8" x 6" x 62 1/4" Gorilla T&G
C	2	F83U	7/8" x 59 1/4" Trim Channel
D	2	F10M	5" x 5" x 102" Economy Post
E	1	G3RFM147	1 3/4" x 93" Steel Insert (Bottom Rail)



Route Pattern:
#R95

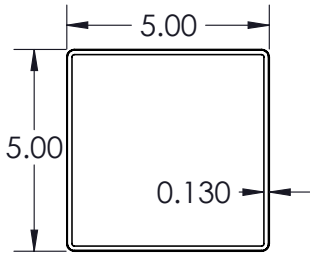


This drawing is the property of Homeland Vinyl Products, Inc. It is not to be reproduced, copied or traced in whole or in part without the written consent of Homeland Vinyl Products, Inc.

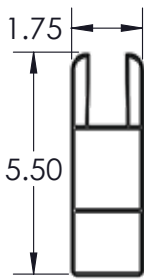
TITLE: 6'H x 8'W 1 3/4" x 5 1/2" Gorilla Pocket Rail RediPak (70" Body)

DRAWN BY: ALW DATE: 12/9/2023 SCALE: 1 : 18 ROUTE PATTERN: #R95 DWG NO. HVRP-14

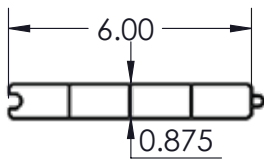
6'H X 8'W - 1-3/4" x 5-1/2" Gorilla Pocket Rail RediPak - 70" Body



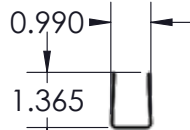
F10M
5" x 5" x 102"
Economy Post



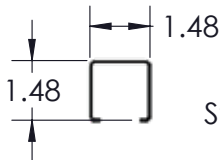
F37C
1 3/4" x 5 1/2" x 94"
Gorilla Pocket Rail



F54G
7/8" x 6" x 62-1/4"
Gorilla T&G



F83U
7/8" x 59-1/4"
Trim Channel



G3RFM147
1 3/4" x 93"
Steel Insert (Bottom Rail)



PLANT AVAILABILITY

**ALABAMA and
TEXAS ONLY**

BULK

62-1/4" T&G for 8' Rail Bundle

346 pcs of T&G / Bundle	WHITE	F54GW62A346
	TAN	F54GT62A346
	ADOBE	F54GD62A346

1-3/4" X 5-1/2" x 94" Pocket Rail Bundle

98 pcs. / Bundle Notched	WHITE	F37CW094098-K
	TAN	F37CT094098-K
	ADOBE	F37CD094098-K

5" X 5" X 102" Economy Post Bundle

81 pcs of 5" x 5" x 102" Economy Posts / Bundle	WHITE	F10MW102081
	TAN	F10MT102081
	ADOBE	F10MD102081

7/8" x 59-1/4" Trim Channel Bundle

840 pcs. / Bundle	WHITE	F83UW59A840
	TAN	F83UT59A840
	ADOBE	F83UD59A840

REDI PAK

62-1/4" T&G RediPak Bundle for 8' Rail

315 pcs of T&G / 21 Pks of 15	WHITE	F54HW62A315
	TAN	F54HT62A315
	ADOBE	F54HD62A315

1-3/4" X 5-1/2" x 94" Pocket Rail RediPak Bundle

2 Pcs of Rail, Insert, Trim / Pack 50 Rail Packs / Bundles	WHITE	F37DW094050-S
	TAN	F37DT094050-S
	ADOBE	F37DD094050-S

5" X 5" X 102" Economy Routed Post Bundle

81 pcs of 5" x 5" x 102" Economy Posts / Bundle	WHITE	F10MW102081-R95
	TAN	F10MT102081-R95
	ADOBE	F10MD102081-R95

TRUCK DRAWING ON FOLLOWING PAGES



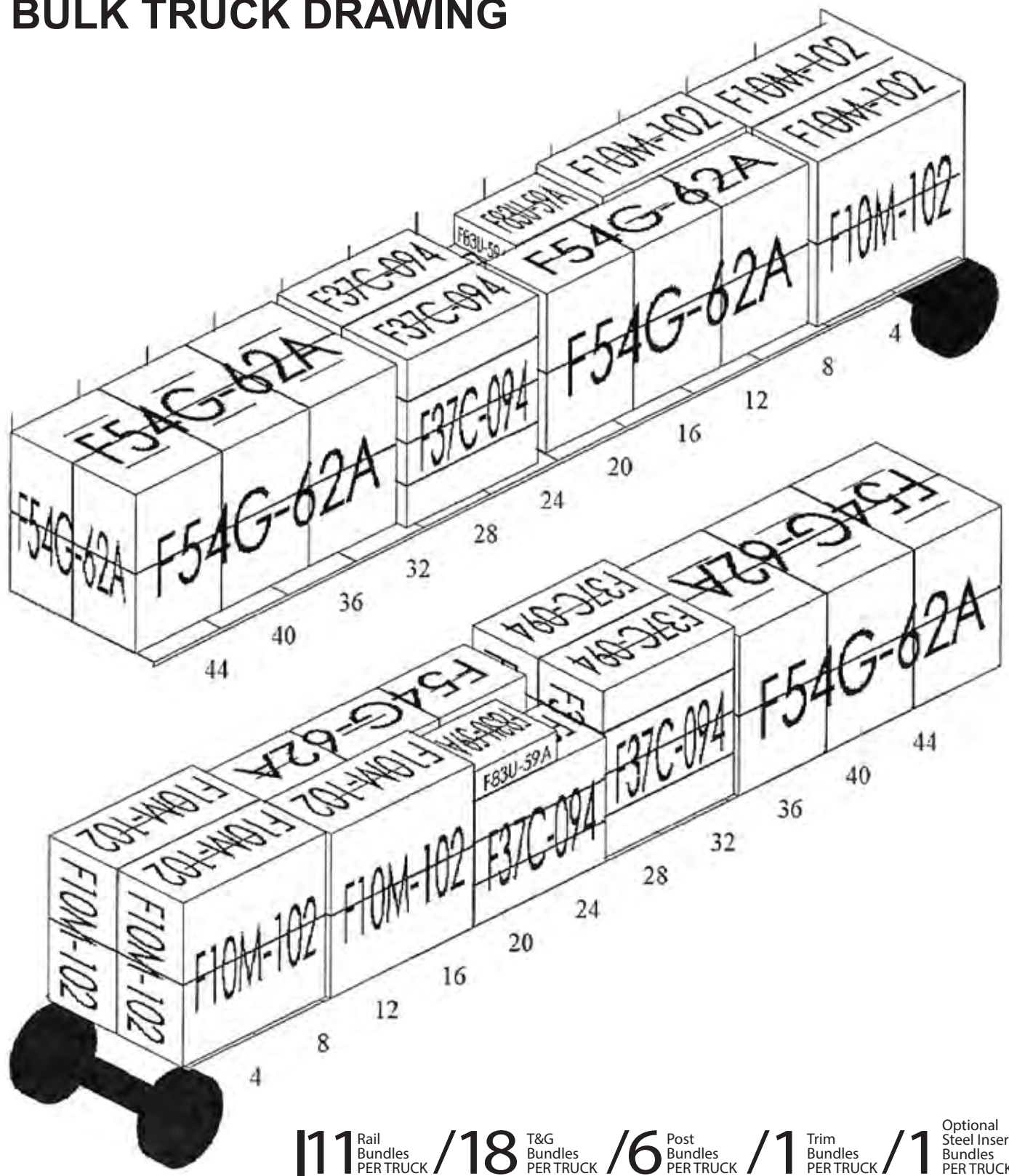
This drawing is the property of Homeland Vinyl Products, Inc. It is not to be reproduced, copied or traced in whole or in part without the written consent of Homeland Vinyl Products, Inc.

TITLE: 6'H x 8'W 1 3/4" x 5 1/2" Gorilla Pocket Rail RediPak (70" Body)

DRAWN BY: ALW	DATE: 12/9/2023	SCALE: 1 : 24	ROUTE PATTERN: #R95	DWG NO. HVRP-14
---------------	-----------------	---------------	---------------------	-----------------

6'H X 8'W - 1-3/4" x 5-1/2" Gorilla Pocket Rail - 70" Body

BULK TRUCK DRAWING



11 Rail Bundles PER TRUCK / **18** T&G Bundles PER TRUCK / **6** Post Bundles PER TRUCK / **1** Trim Bundles PER TRUCK / **1** Optional Steel Insert Bundles PER TRUCK

48' TRUCK

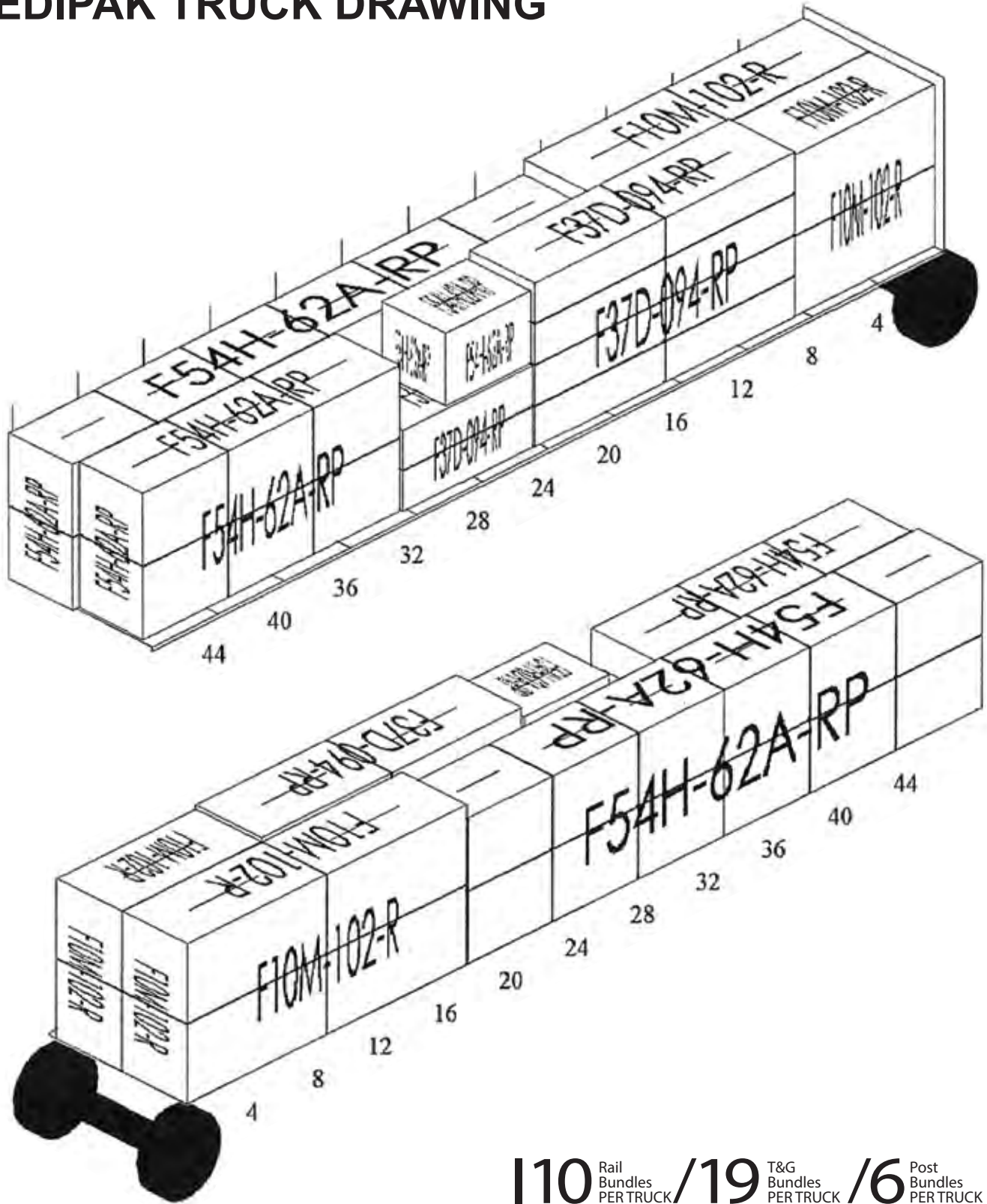


This drawing is the property of Homeland Vinyl Products, Inc. It is not to be reproduced, copied or traced in whole or in part without the written consent of Homeland Vinyl Products, Inc.

TITLE: 6'H x 8'W 1 ³ / ₄ " x 5 ¹ / ₂ " Gorilla Pocket Rail Bulk (70" Body)				
DRAWN BY: ALW	DATE: 12/9/2023	SCALE: 1 : 24	ROUTE PATTERN: #R95	DWG NO. HVRP-14

6'H X 8'W - 1-3/4" x 5-1/2" Gorilla Pocket Rail RediPak - 70" Body

REDIPAK TRUCK DRAWING



10 Rail Bundles PER TRUCK / **19** T&G Bundles PER TRUCK / **6** Post Bundles PER TRUCK
 48' TRUCK

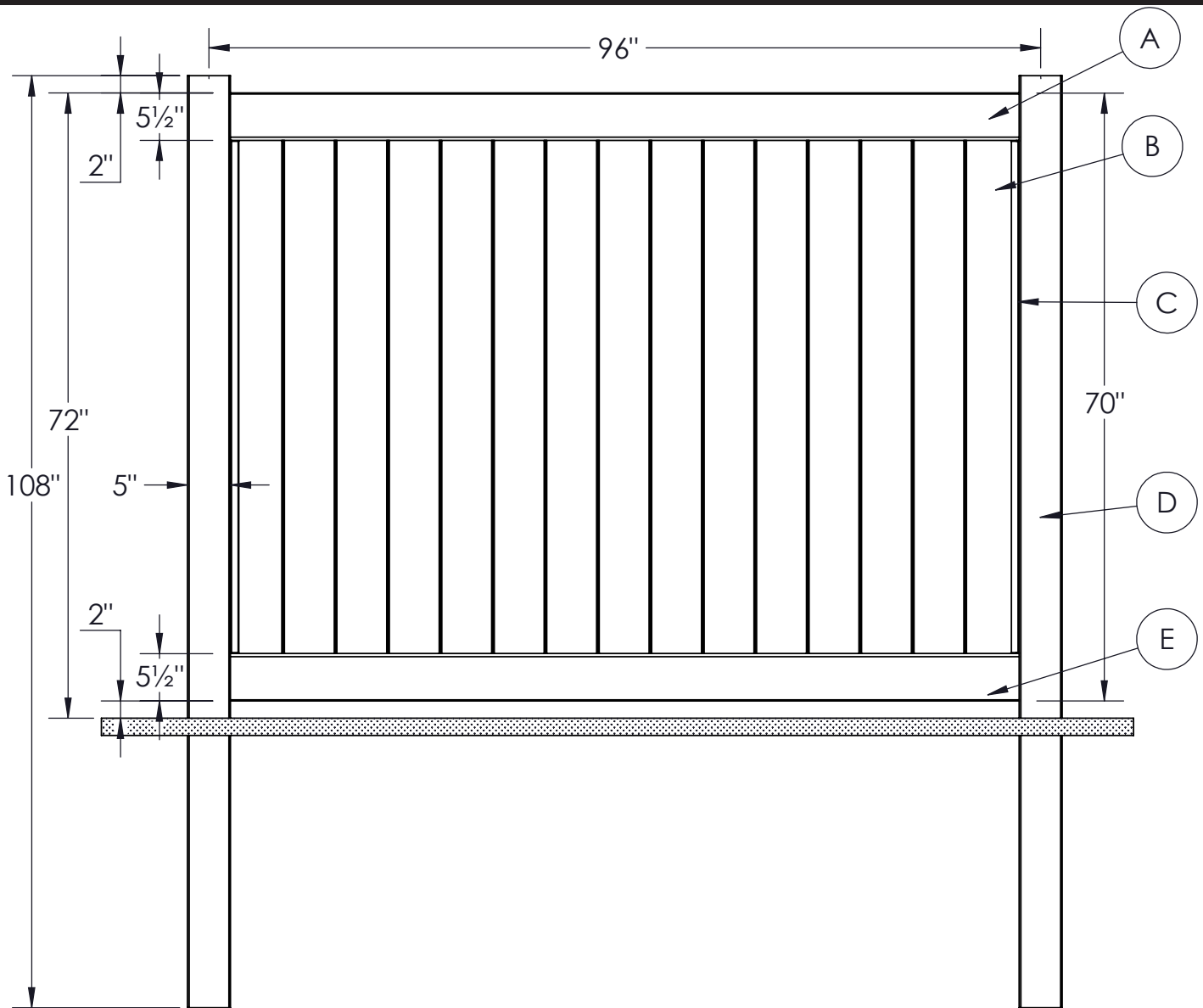


This drawing is the property of Homeland Vinyl Products, Inc. It is not to be reproduced, copied or traced in whole or in part without the written consent of Homeland Vinyl Products, Inc.

TITLE: 6'H x 8'W 1 3/4" x 5 1/2" Gorilla Pocket Rail RediPak (70" Body)

DRAWN BY: ALW	DATE: 12/9/2023	SCALE: 1 : 24	ROUTE PATTERN: #R95	DWG NO: HVRP-14
---------------	-----------------	---------------	---------------------	-----------------

6'H X 8'W - 1-3/4" x 5-1/2" Gorilla Pocket Rail RediPak - 70" Body



Key	Quantity	Item Key	Description
A	2	F37C	1 ³ / ₄ " x 5 ¹ / ₂ " x 94" Gorilla Pocket Rail
B	15	F54G	7/8" x 6" x 62 ¹ / ₄ " Gorilla T&G
C	2	F83U	7/8" x 59 ¹ / ₄ " Trim Channel
D	2	F10E	5" x 5" x 108" Co-Ex Utility Post
E	1	G3RFM147	1 ³ / ₄ " x 93" Steel Insert (Bottom Rail)



Route Pattern:
#R95

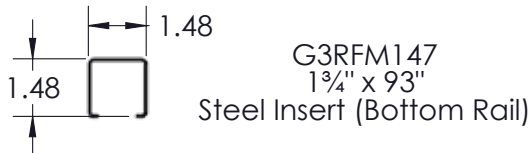
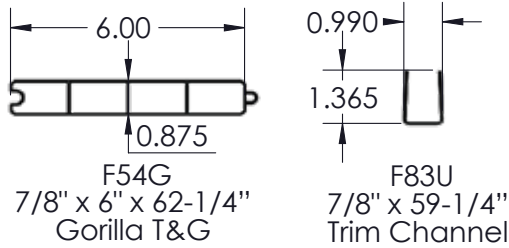
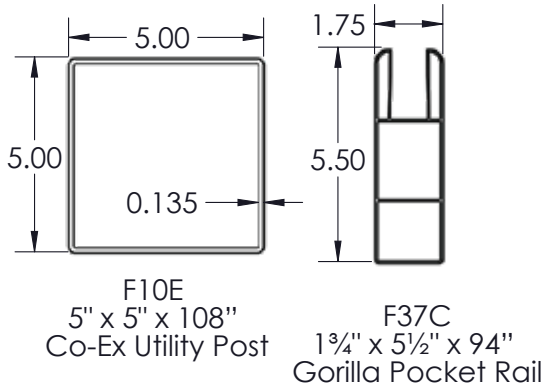


This drawing is the property of Homeland Vinyl Products, Inc. It is not to be reproduced, copied or traced in whole or in part without the written consent of Homeland Vinyl Products, Inc.

TITLE: 6'H x 8'W 1³/₄" x 5¹/₂" Gorilla Pocket Rail RediPak (70" Body)

DRAWN BY: ALW	DATE: 12/9/2023	SCALE: 1 : 18	ROUTE PATTERN: #R95	DWG NO: HVRP-07
---------------	-----------------	---------------	---------------------	-----------------

6'H X 8'W - 1-3/4" x 5-1/2" Gorilla Pocket Rail RediPak - 70" Body



PLANT AVAILABILITY

TEXAS ONLY

BULK

62-1/4" T&G for 8' Rail Bundle		
346 pcs of T&G / Bundle	WHITE	F54GW62A346
	TAN	F54GT62A346
	ADOBE	F54GD62A346
1-3/4" X 5-1/2" x 94" Pocket Rail Bundle		
98 pcs. / Bundle Notched	WHITE	F37CW094098-K
	TAN	F37CT094098-K
	ADOBE	F37CD094098-K
5" X 5" X 108" Co-Ex Utility Post Bundle		
81 pcs of 5" x 5" x 108" Co-Ex Utility Posts / Bundle	WHITE	F10EW108081
	TAN	F10ET108081
	ADOBE	F10ED108081
7/8" x 59-1/4" Trim Channel Bundle		
840 pcs. / Bundle	WHITE	F83UW59A840
	TAN	F83UT59A840
	ADOBE	F83UD59A840

REDI PAK

62-1/4" T&G RediPak Bundle for 8' Rail		
315 pcs of T&G / 21 Pks of 15	WHITE	F54HW62A315
	TAN	F54HT62A315
	ADOBE	F54HD62A315
1-3/4" X 5-1/2" x 94" Pocket Rail RediPak Bundle		
2 Pcs of Rail, Insert, Trim / Pack 50 Rail Packs / Bundles	WHITE	F37DW094050-S
	TAN	F37DT094050-S
	ADOBE	F37DD094050-S
5" X 5" X 108" Co-Ex Utility Routed Post Bundle		
81 pcs of 5" x 5" x 108" Co-Ex Utility Posts / Bundle	WHITE	F10EW108081-R95
	TAN	F10ET108081-R95
	ADOBE	F10ED108081-R95

**TRUCK DRAWING
ON FOLLOWING PAGES**



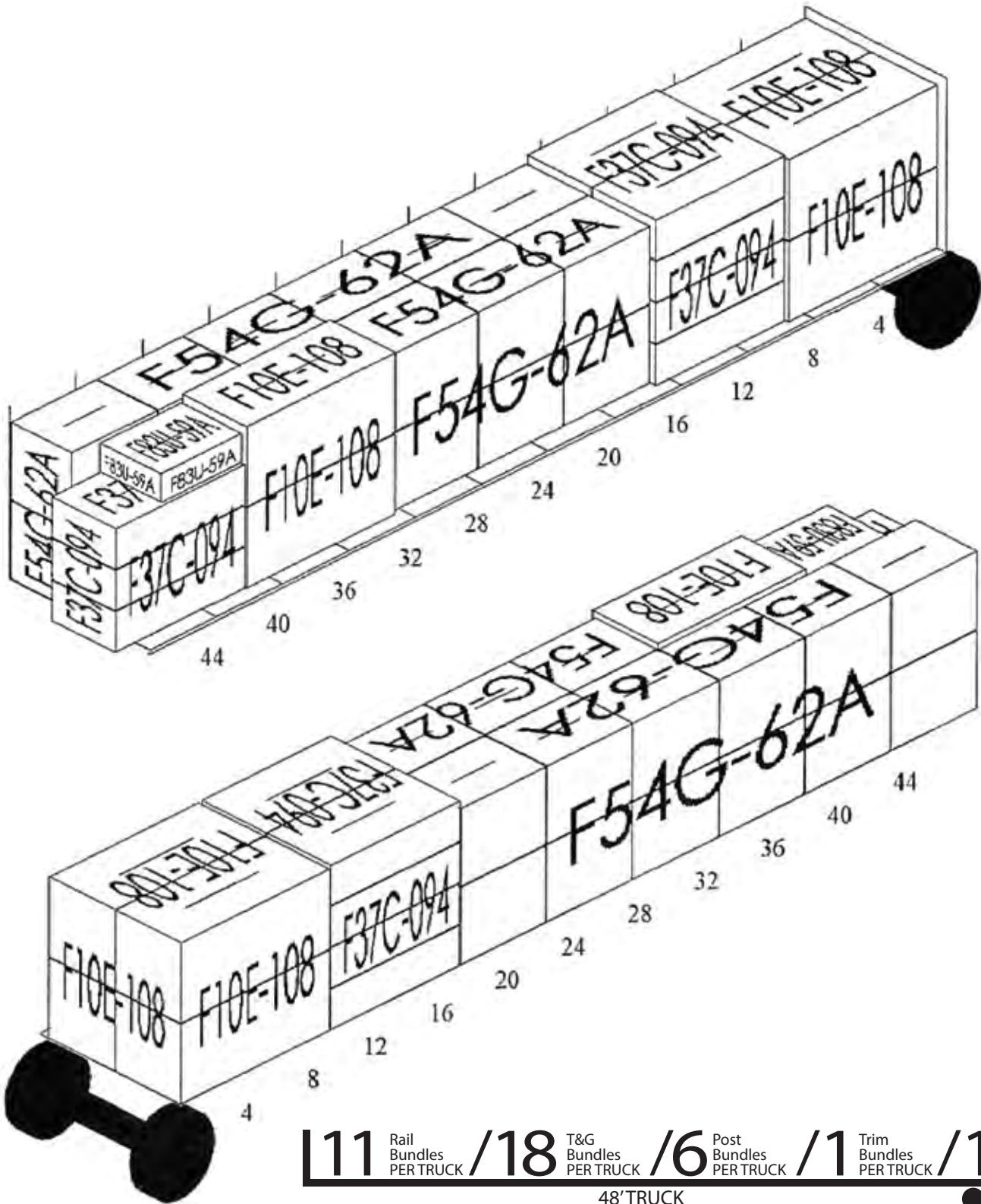
This drawing is the property of Homeland Vinyl Products, Inc. It is not to be reproduced, copied or traced in whole or in part without the written consent of Homeland Vinyl Products, Inc.

TITLE: 6'H x 8'W 1 3/4" x 5 1/2" Gorilla Pocket Rail RediPak (70" Body)

DRAWN BY: ALW	DATE: 12/9/2023	SCALE: 1 : 24	ROUTE PATTERN: #R95	DWG NO: HVRP-07
---------------	-----------------	---------------	---------------------	-----------------

6'H X 8'W - 1-3/4" x 5-1/2" Gorilla Pocket Rail - 70" Body

BULK TRUCK DRAWING

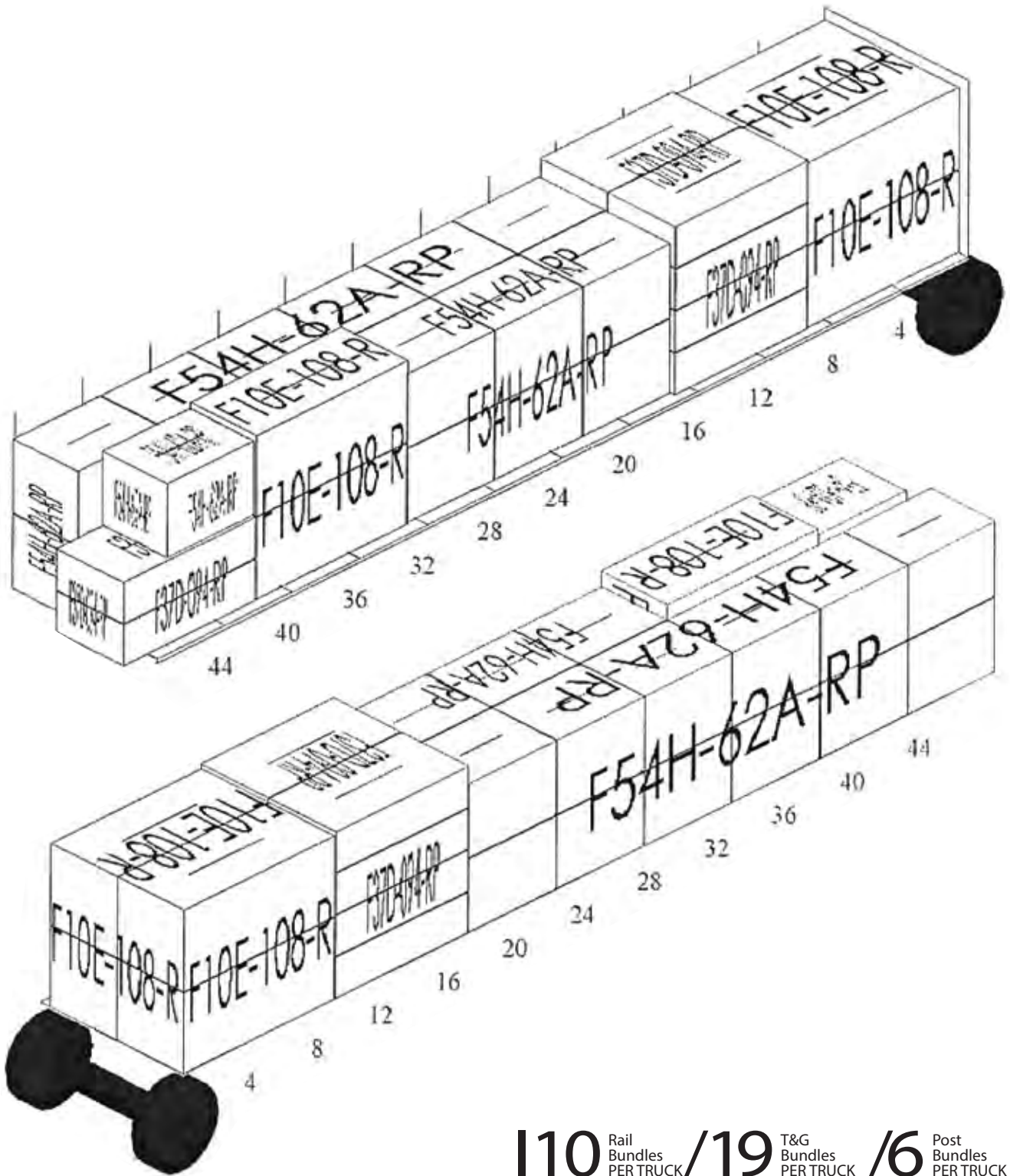


This drawing is the property of Homeland Vinyl Products, Inc. It is not to be reproduced, copied or traced in whole or in part without the written consent of Homeland Vinyl Products, Inc.

TITLE: 6'H x 8'W 1 3/4" x 5 1/2" Gorilla Pocket Rail Bulk (70" Body)				
DRAWN BY: ALW	DATE: 12/9/2023	SCALE: 1 : 24	ROUTE PATTERN: #R95	DWG NO. HVRP-07

6'H X 8'W - 1-3/4" x 5-1/2" Gorilla Pocket Rail RediPak - 70" Body

REDIPAK TRUCK DRAWING



10 Rail Bundles PER TRUCK / **19** T&G Bundles PER TRUCK / **6** Post Bundles PER TRUCK
 48" TRUCK

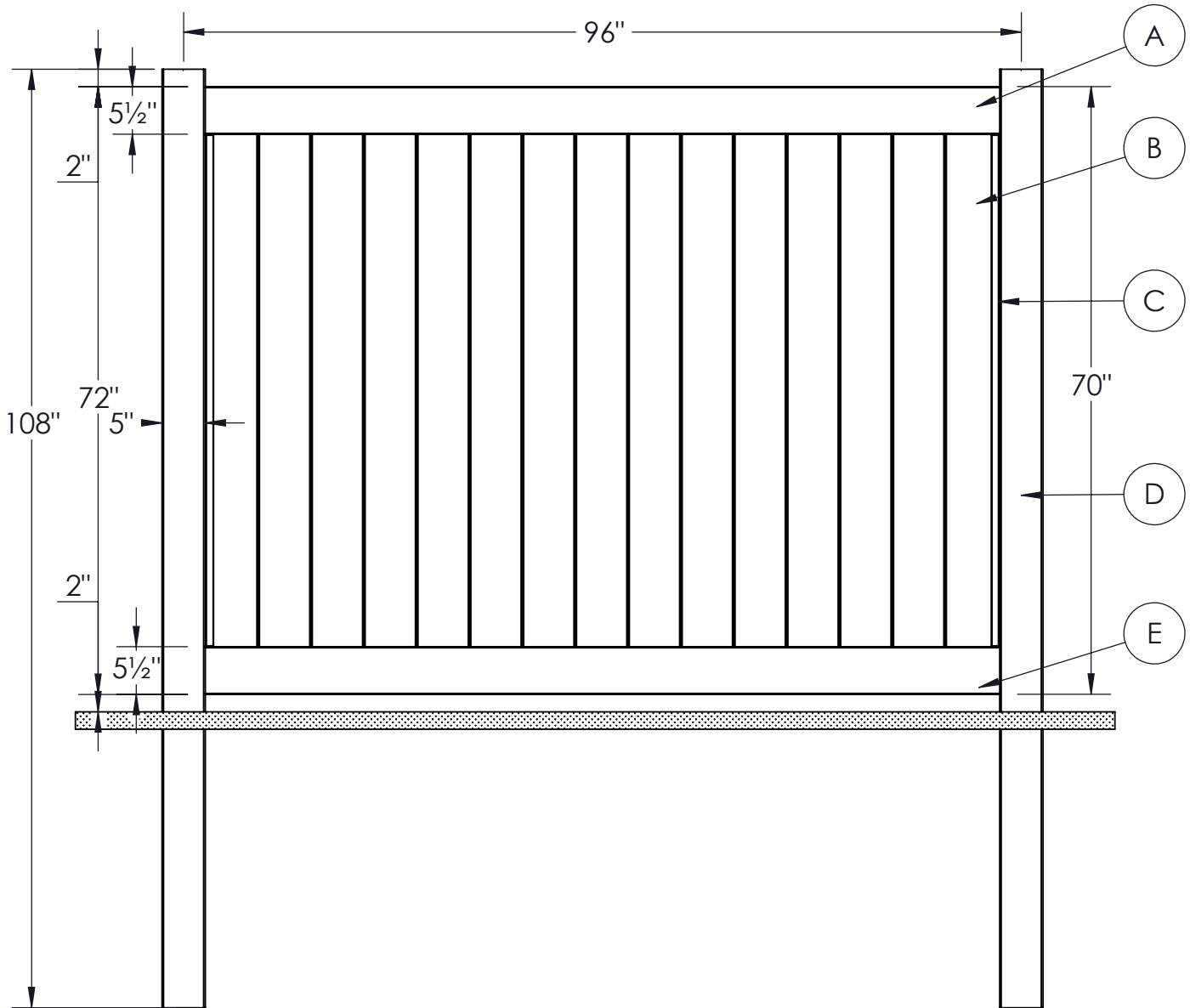


This drawing is the property of Homeland Vinyl Products, Inc. It is not to be reproduced, copied or traced in whole or in part without the written consent of Homeland Vinyl Products, Inc.

TITLE: 6'H x 8'W 1-3/4" x 5-1/2" Gorilla Pocket Rail RediPak (70" Body)

DRAWN BY: ALW	DATE: 12/9/2023	SCALE: 1 : 24	ROUTE PATTERN: #R95	DWG NO. HVRP-07
---------------	-----------------	---------------	---------------------	-----------------

6'H X 8'W - 1-1/2" x 5-1/2" Gorilla RediPak - 70" Body



Key	Quantity	Item Key	Description
A	2	F32G	1 1/2" x 5 1/2" x 94" Gorilla Pocket Rail
B	15	F54G	7/8" x 6" x 62 1/4" Gorilla T&G
C	2	F83U	7/8" x 58 3/4" Trim Channel
D	2	F10E	5" x 5" x 108" Co-Ex Utility Post
E	1	G3RFH121	1 1/2" x 93" Steel Insert (Bottom Rail)



This drawing is the property of Homeland Vinyl Products, Inc. It is not to be reproduced, copied or traced in whole or in part without the written consent of Homeland Vinyl Products, Inc.

TITLE:

6'H x 8'W 1 1/2" x 5 1/2" Gorilla RediPak (70" Body)

DRAWN BY:

ALW

DATE:

12/8/2023

SCALE:

1 : 18

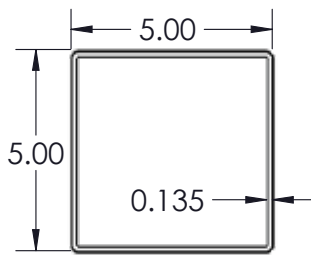
ROUTE PATTERN:

#R96

DWG NO.:

HVRP-05

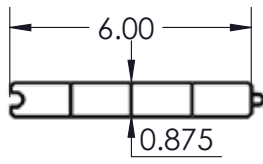
6'H X 8'W - 1-1/2" x 5-1/2" Gorilla RediPak - 70" Body



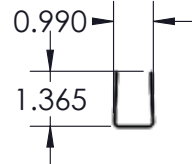
F10E
5" x 5" x 108"
Co-Ex Utility Post



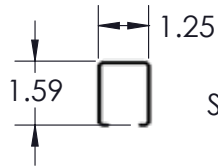
F32G
1 1/2" x 5 1/2" x 94"
Gorilla Pocket Rail



F54G
7/8" x 6" x 62-1/4"
Gorilla T&G



F83U
7/8" x 58-3/4"
Trim Channel



G3RFH121
1 1/2" x 93"
Steel Insert (Bottom Rail)



PLANT AVAILABILITY

**TEXAS
ONLY**

BULK

62-1/4" T&G for 8' Rail Bundle		
346 pcs of T&G / Bundle	WHITE	F54GW62A346
	TAN	F54GT62A346
	ADOBE	F54GD62A346
1-1/2" X 5-1/2" X 94" Pocket Rail Bundle		
114 pcs. / Bundle Notched	WHITE	F32GW094114-K
	TAN	F32GT094114-K
	ADOBE	F32GD094114-K
5" X 5" X 108" Co-Ex Utility Post Bundle		
81 pcs of 5" x 5" x 108" Co-Ex Utility Posts / Bundle	WHITE	F10EW108081
	TAN	F10ET108081
	ADOBE	F10ED108081
7/8" x 58-3/4" Trim Channel Bundle		
840 pcs. / Bundle	WHITE	F83UW58C840
	TAN	F83UT58C840
	ADOBE	F83UD58C840

REDI PAK

62-1/4" T&G RediPak Bundle for 8' Rail		
315 pcs of T&G / 21 Pks of 15	WHITE	F54HW62A315
	TAN	F54HT62A315
	ADOBE	F54HD62A315
1-1/2" X 5-1/2" X 94" Pocket Rail RediPak Bundle		
2 Pcs of Rail, Insert, Trim / Pack 42 Rail Packs / Bundles	WHITE	F32NW094042-S
	TAN	F32NT094042-S
	ADOBE	F32ND094042-S
5" X 5" X 108" Co-Ex Utility Routed Post Bundle		
81 pcs of 5" x 5" x 108" Co-Ex Utility Posts / Bundle	WHITE	F10EW108081-R96
	TAN	F10ET108081-R96
	ADOBE	F10ED108081-R96

TRUCK DRAWING ON FOLLOWING PAGES



This drawing is the property of Homeland Vinyl Products, Inc. It is not to be reproduced, copied or traced in whole or in part without the written consent of Homeland Vinyl Products, Inc.

TITLE:

6'H x 8'W 1 1/2" x 5 1/2" Gorilla RediPak
(70" Body)

DRAWN BY:

ALW

DATE:

4/29/2022

SCALE:

1 : 24

ROUTE PATTERN:

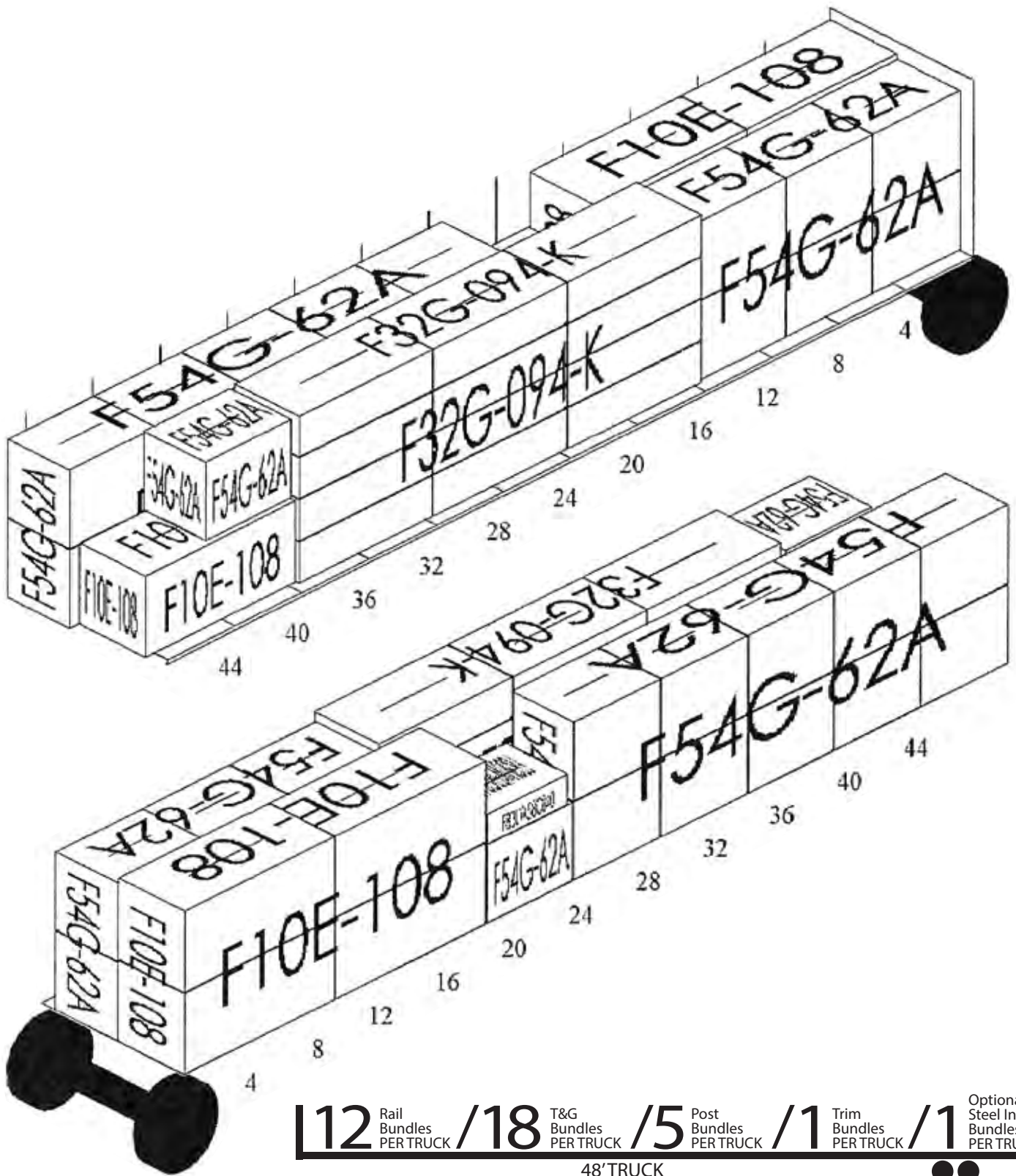
#R96

DWG NO.

HVRP-05

6'H X 8'W - 1-1/2" x 5-1/2" Gorilla - 70" Body

BULK TRUCK DRAWING

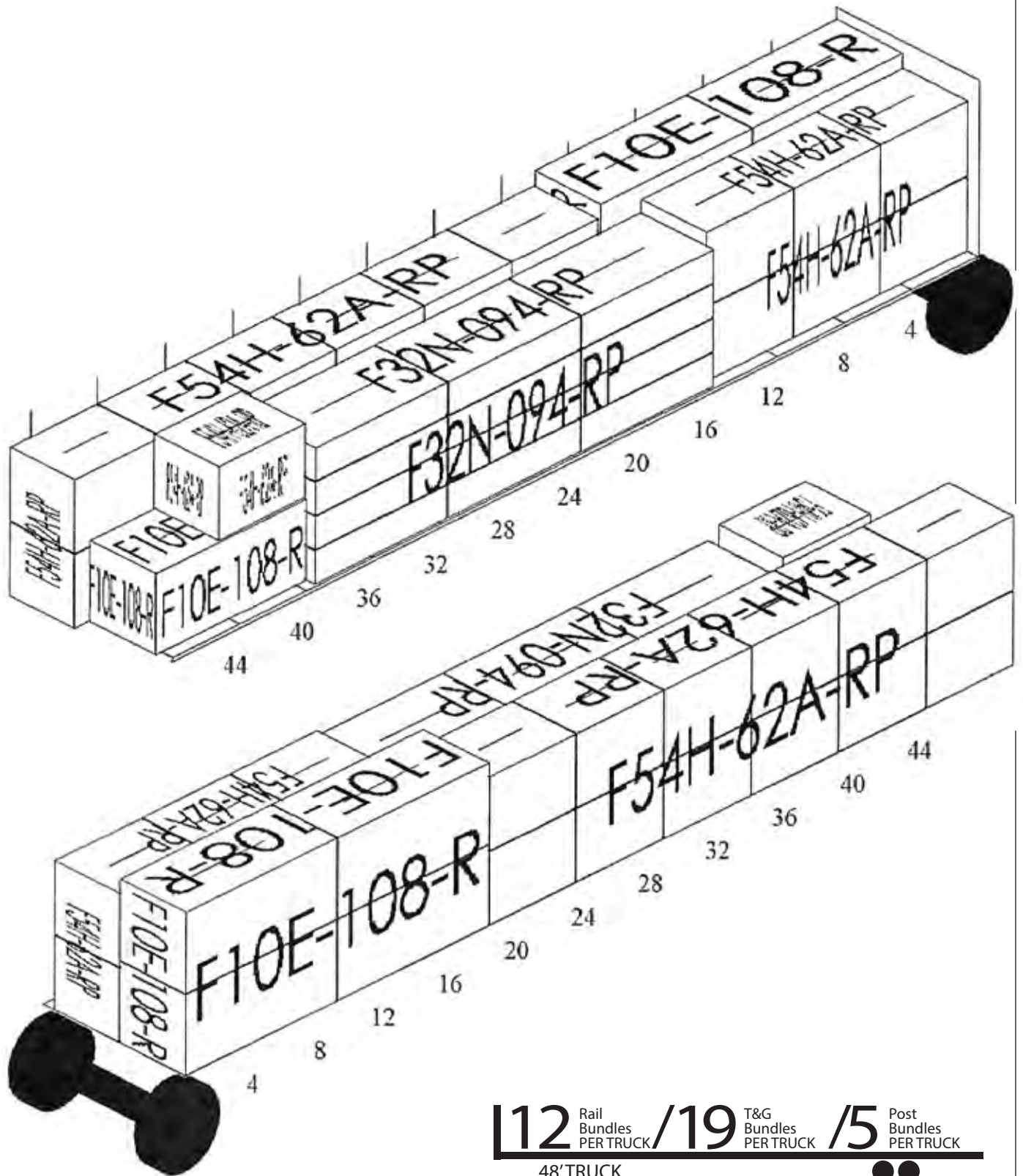


This drawing is the property of Homeland Vinyl Products, Inc. It is not to be reproduced, copied or traced in whole or in part without the written consent of Homeland Vinyl Products, Inc.

TITLE: 6'H x 8'W 1 1/2" x 5 1/2" Gorilla Bulk (70" Body)				
DRAWN BY: ALW	DATE: 4/29/2022	SCALE: 1 : 24	ROUTE PATTERN: #R96	DWG NO: HVRP-05

6'H X 8'W - 1-1/2" x 5-1/2" Gorilla RediPak - 70" Body

REDIPAK TRUCK DRAWING



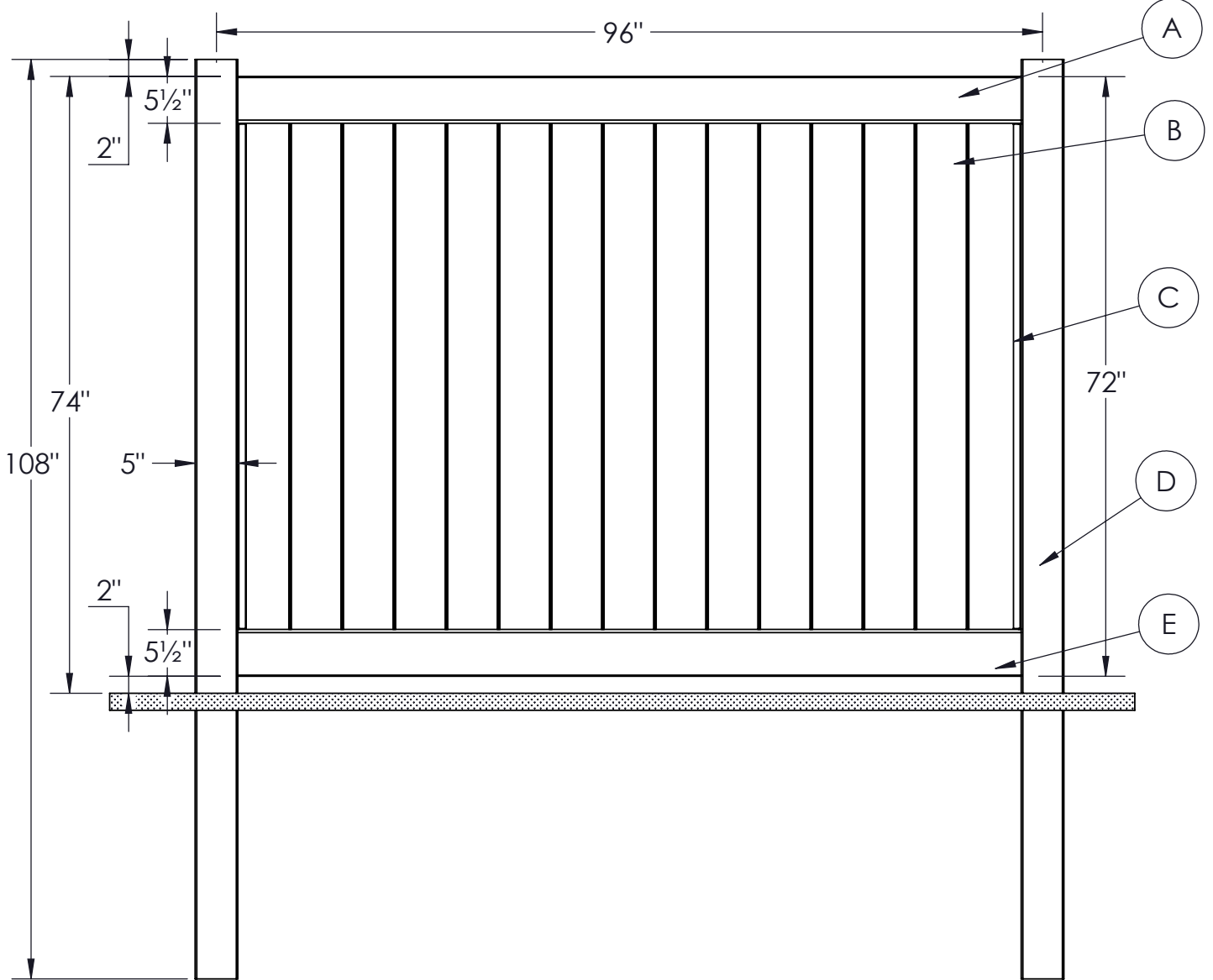
12 Rail Bundles PER TRUCK / **19** T&G Bundles PER TRUCK / **5** Post Bundles PER TRUCK
 48' TRUCK



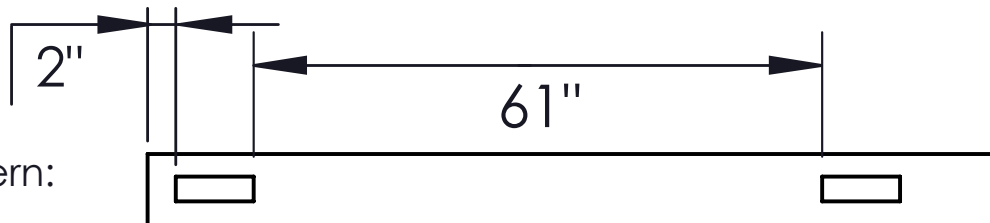
This drawing is the property of Homeland Vinyl Products, Inc. It is not to be reproduced, copied or traced in whole or in part without the written consent of Homeland Vinyl Products, Inc.

TITLE: 6'H x 8'W 1 1/2" x 5 1/2" Gorilla RediPak (70" Body)				
DRAWN BY: ALW	DATE: 4/29/2022	SCALE: 1 : 24	ROUTE PATTERN: #R96	DWG NO: HVRP-05

6'H X 8'W - 1-3/4" x 5-1/2" Gorilla Pocket Rail RediPak - 72" Body



Key	Quantity	Item Key	Description
A	2	F37C	1 3/4" x 5 1/2" x 94" Standard Pocket Rail
B	15	F54G	7/8" x 6" x 64" Gorilla T&G
C	2	F83U	7/8" x 60-7/8" Trim Channel
D	2	F10E	5" x 5" x 108" Co-Ex Utility Post
E	1	G3RFM147	1 3/4" x 93" Steel Insert (Bottom Rail)



Route Pattern:
#R102

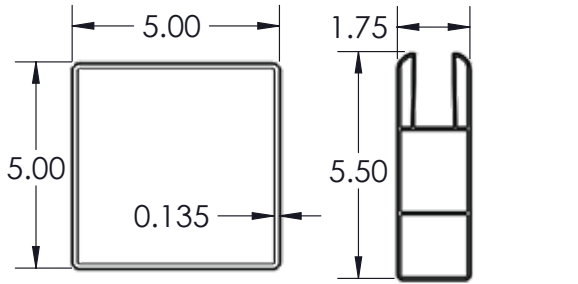


This drawing is the property of Homeland Vinyl Products, Inc. It is not to be reproduced, copied or traced in whole or in part without the written consent of Homeland Vinyl Products, Inc.

TITLE: 6'H x 8'W 1 3/4" x 5 1/2" Gorilla Pocket Rail RediPak (72" Body)

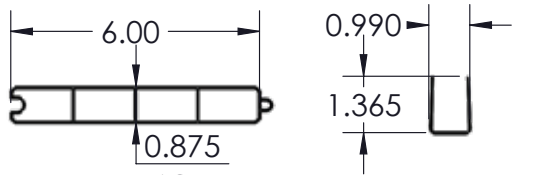
DRAWN BY: ALW DATE: 12/9/2023 SCALE: 1 : 18 ROUTE PATTERN: #R102 DWG NO.: HVRP-12

6'H X 8'W - 1-3/4" x 5-1/2" Gorilla Pocket Rail RediPak - 72" Body



F10E
5" x 5" x 108"
Co-Ex Utility Post

F37C
1 3/4" x 5 1/2" x 94"
Gorilla Pocket Rail



F54G
7/8" x 6" x 64"
Gorilla T&G

F83U
7/8" x 60-7/8"
Trim Channel



G3RFM147
1 3/4" x 93"
Steel Insert (Bottom Rail)



PLANT AVAILABILITY
NEW JERSEY ONLY

BULK

64" T&G for 8' Rail Bundle		
346 pcs of T&G / Bundle	WHITE	F54GW064346
	TAN	F54GT064346
	ADOBE	F54GD064346
1-3/4" X 5-1/2" X 94" Pocket Rail Bundle		
98 pcs. / Bundle Notched	WHITE	F37CW094098-K
	TAN	F37CT094098-K
	ADOBE	F37CD094098-K
5" X 5" X 108" Co-Ex Utility Post Bundle		
81 pcs of 5" x 5" x 108" Co-Ex Utility Posts / Bundle	WHITE	F10EW108081
	TAN	F10ET108081
	ADOBE	F10ED108081
7/8" x 60-7/8" Trim Channel Bundle		
840 pcs. / Bundle	WHITE	F83UW60G840
	TAN	F83UT60G840
	ADOBE	F83UD60G840

REDI PAK

64" T&G RediPak Bundle for 8' Rail		
315 pcs of T&G / 21 Pks of 15	WHITE	F54HW064315
	TAN	F54HT064315
	ADOBE	F54HD064315
1-3/4" X 5-1/2" X 94" Pocket Rail RediPak Bundle		
2 Pcs of Rail, Insert, Trim / Pack 50 Rail Packs / Bundles	WHITE	F37MW094050-S
	TAN	F37MT094050-S
	ADOBE	F37MD094050-S
5" X 5" X 108" Co-Ex Utility Routed Post Bundle		
81 pcs of 5" x 5" x 108" Co-Ex Utility Posts / Bundle	WHITE	F10EW108081-R102
	TAN	F10ET108081-R102
	ADOBE	F10ED108081-R102

**TRUCK DRAWING
ON FOLLOWING PAGES**



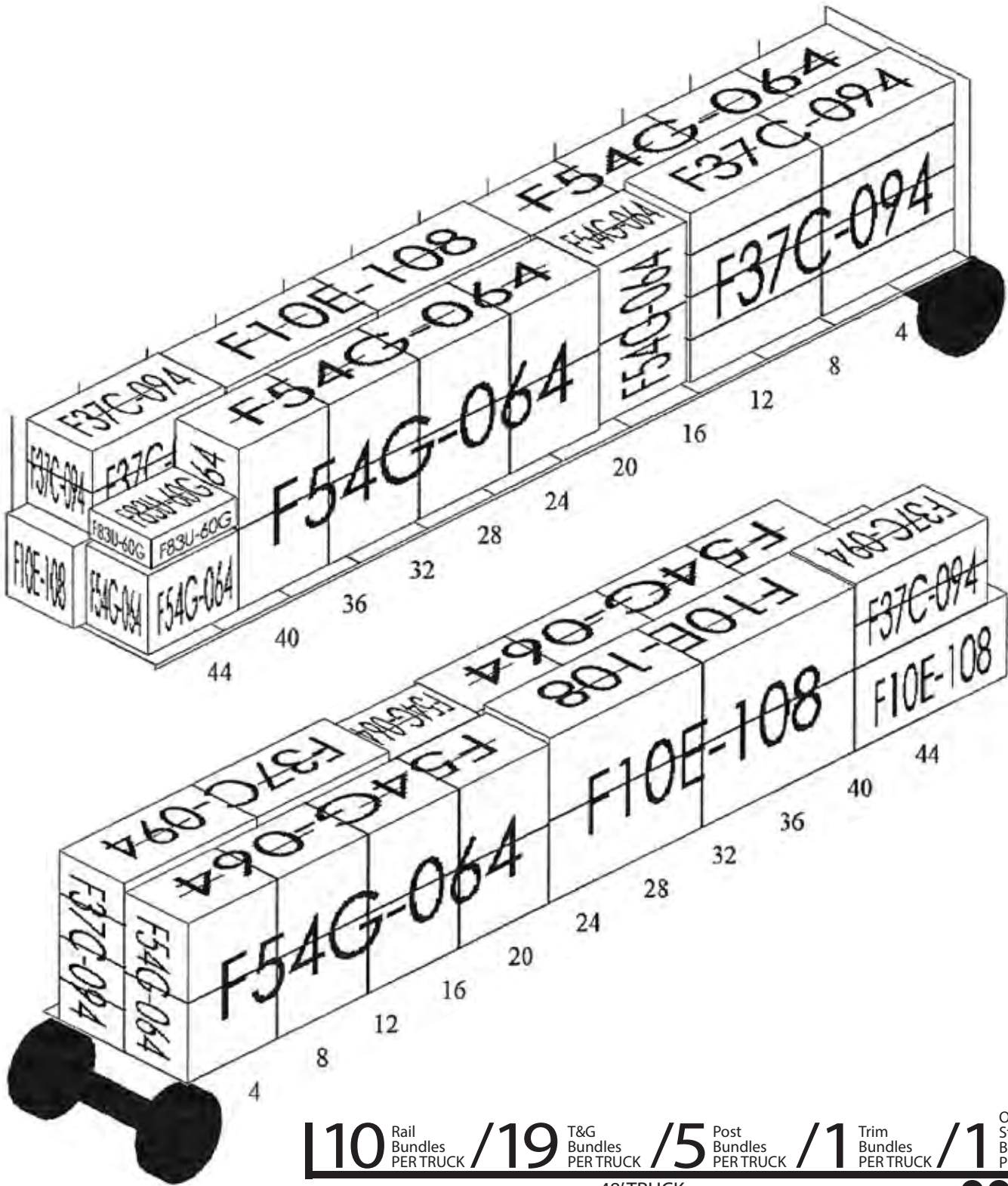
This drawing is the property of Homeland Vinyl Products, Inc. It is not to be reproduced, copied or traced in whole or in part without the written consent of Homeland Vinyl Products, Inc.

TITLE: 6'H x 8'W 1 3/4" x 5 1/2" Gorilla Pocket Rail RediPak (72" Body)

DRAWN BY: ALW DATE: 12/9/2023 SCALE: 1 : 24 ROUTE PATTERN: #R102 DWG NO. HVRP-12

6'H X 8'W - 1-3/4" x 5-1/2" Gorilla Pocket Rail- 72" Body

BULK TRUCK DRAWING



10 Rail Bundles PER TRUCK / **19** T&G Bundles PER TRUCK / **5** Post Bundles PER TRUCK / **1** Trim Bundles PER TRUCK / **1** Optional Steel Insert Bundles PER TRUCK

48' TRUCK



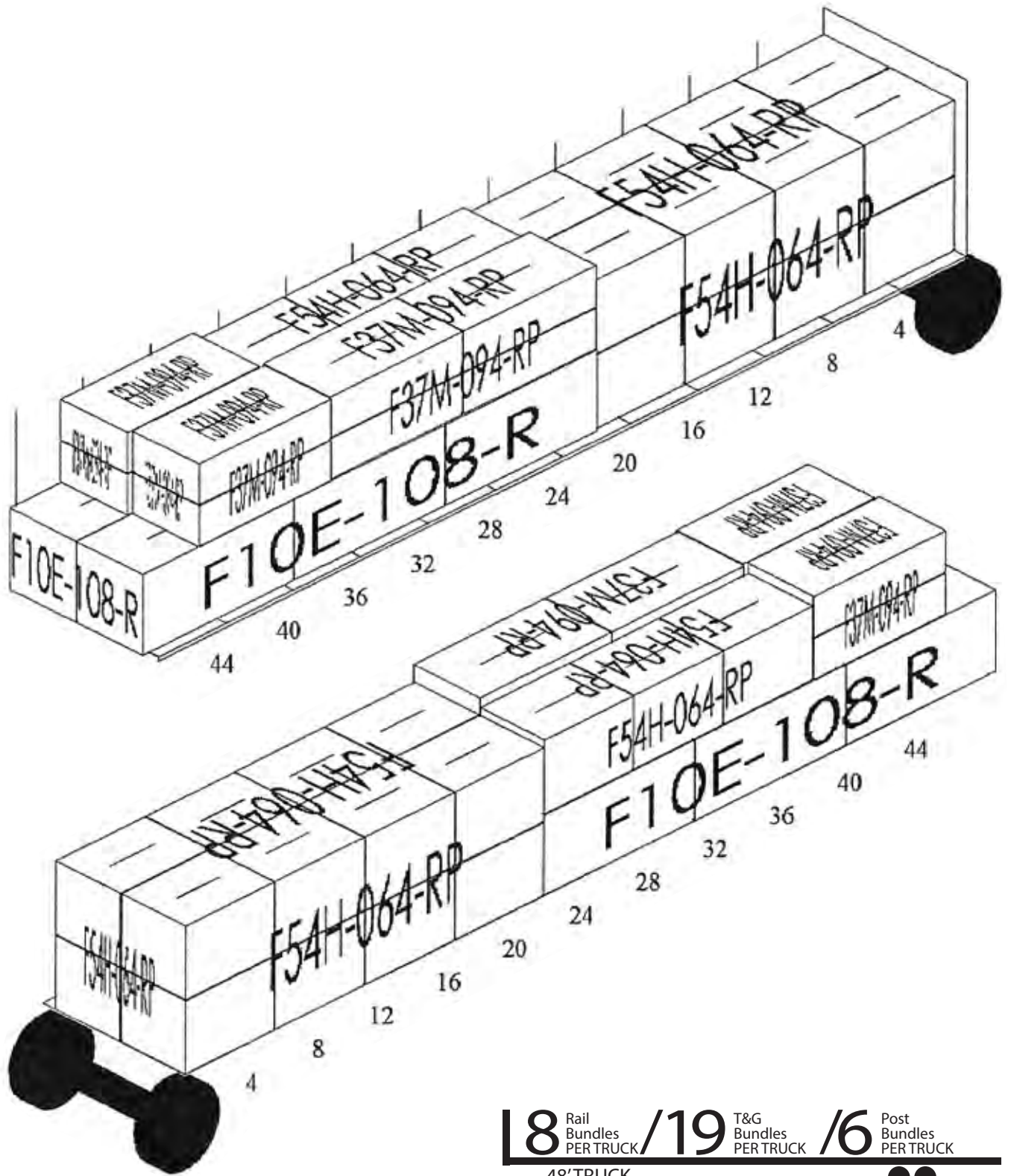
This drawing is the property of Homeland Vinyl Products, Inc. It is not to be reproduced, copied or traced in whole or in part without the written consent of Homeland Vinyl Products, Inc.

TITLE: 6'H x 8'W 1-3/4" x 5-1/2" Gorilla Pocket Rail Bulk (72" Body)

DRAWN BY: ALW	DATE: 12/9/2023	SCALE: 1 : 24	ROUTE PATTERN: #R102	DWG NO. HVRP-12
---------------	-----------------	---------------	----------------------	-----------------

6'H X 8'W - 1-3/4" x 5-1/2" Gorilla Pocket Rail RediPak - 72" Body

REDIPAK TRUCK DRAWING



8 Rail Bundles PER TRUCK / **19** T&G Bundles PER TRUCK / **6** Post Bundles PER TRUCK
 48' TRUCK

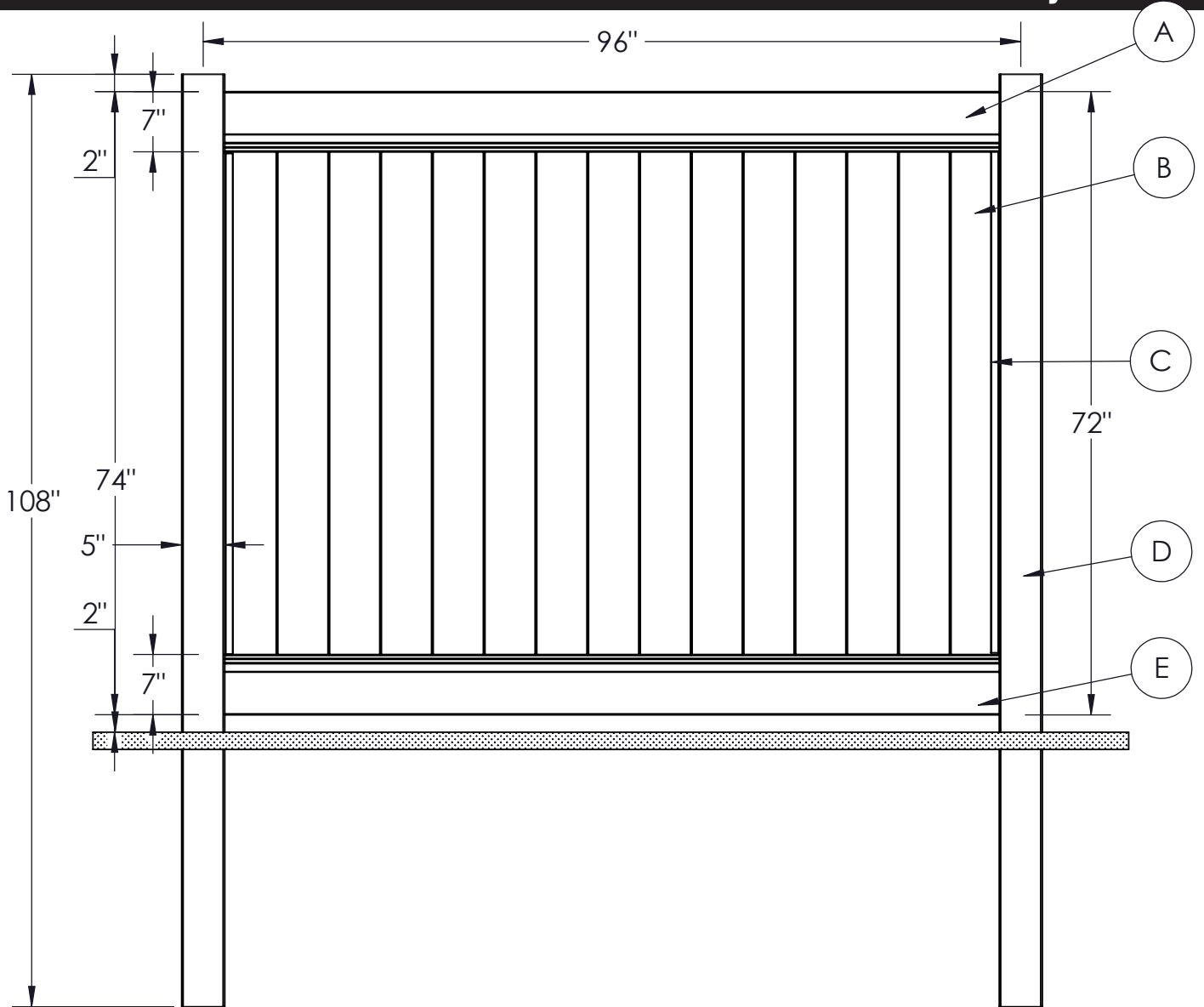


This drawing is the property of Homeland Vinyl Products, Inc. It is not to be reproduced, copied or traced in whole or in part without the written consent of Homeland Vinyl Products, Inc.

TITLE: 6'H x 8'W 1-3/4" x 5-1/2" Gorilla Pocket Rail RediPak (72" Body)

DRAWN BY: ALW	DATE: 12/9/2023	SCALE: 1 : 24	ROUTE PATTERN: #R102	DWG NO. HVRP-12
---------------	-----------------	---------------	----------------------	-----------------

6'H X 8'W - 2" x 7" Sun Pocket Rail RediPak - 72" Body



Key	Quantity	Item Key	Description
A	2	FFS7	2" x 7" x 94" Sun Pocket Rail
B	15	F54G	7/8" x 6" x 61" Gorilla T&G
C	2	F83U	7/8" x 58" Trim Channel
D	2	F10E	5" x 5" x 108" Co-Ex Utility Post
E	1	G3RFH148	2" x 93" Steel Insert (Bottom Rail)



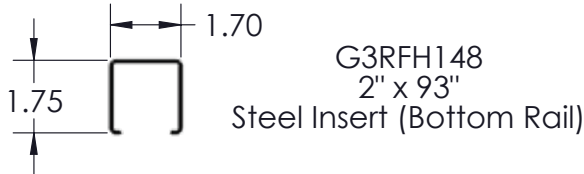
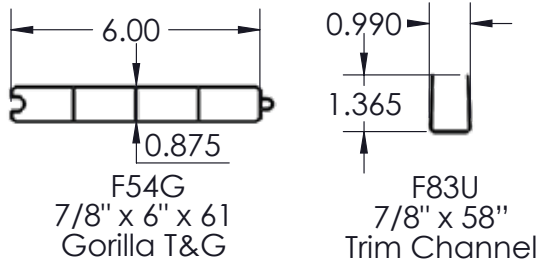
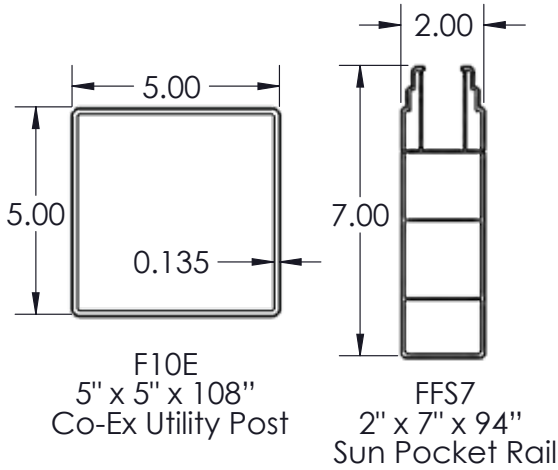
Route Pattern:
#R122



This drawing is the property of Homeland Vinyl Products, Inc. It is not to be reproduced, copied or traced in whole or in part without the written consent of Homeland Vinyl Products, Inc.

TITLE:		6'H x 8'W 2" x 7" Sun RediPak (72" Body)			
DRAWN BY:	DATE:	SCALE:	ROUTE PATTERN:	DWG NO.:	
ALW	12/9/2023	1 : 18	#R122	HVRP-10	

6'H X 8'W - 2" x 7" Sun Pocket Rail RediPak - 72" Body



PLANT AVAILABILITY

**NEW JERSEY
ONLY**

BULK

61" T&G for 8' Rail Bundle		
346 pcs of T&G / Bundle	WHITE	F54GW061346
	TAN	F54GT061346
	ADOBE	F54GD061346
2" X 7" X 94" Pocket Rail Bundle		
66 pcs. / Bundle Notched	WHITE	FFS7W094066-K
	TAN	FFS7T094066-K
	ADOBE	FFS7D094066-K
5" X 5" X 108" Co-Ex Utility Post Bundle		
81 pcs of 5" x 5" x 108" Co-Ex Utility Posts / Bundle	WHITE	F10EW108081
	TAN	F10ET108081
	ADOBE	F10ED108081
7/8" x 58" Trim Channel Bundle		
840 pcs. / Bundle	WHITE	F83UW058840
	TAN	F83UT058840
	ADOBE	F83UD058840

REDI PAK

61" T&G RediPakBundle for 8' Rail		
315 pcs of T&G / 21 Pks of 15	WHITE	F54HW061315
	TAN	F54HT061315
	ADOBE	F54HD061315
2" X 7" X 94" Pocket Rail RediPak Bundle		
2 Pcs of Rail, Insert (Tan & Adobe only), Trim / Pack 33 Rail Packs / Bundles	WHITE	FFSPW094033
	TAN	FFSPT094033-S
	ADOBE	FFSPD094033-S
5" X 5" X 108" Co-Ex Utility Routed Post Bundle		
81 pcs of 5" x 5" x 108" Co-Ex Utility Posts / Bundle	WHITE	F10EW108081-R122
	TAN	F10ET108081-R122
	ADOBE	F10ED108081-R122

**TRUCK DRAWING
ON FOLLOWING PAGES**



This drawing is the property of Homeland Vinyl Products, Inc. It is not to be reproduced, copied or traced in whole or in part without the written consent of Homeland Vinyl Products, Inc.

TITLE:

6'H x 8'W 2" x 7" Sun RediPak
(72" Body)

DRAWN BY:

ALW

DATE:

12/9/2023

SCALE:

1 : 24

ROUTE PATTERN:

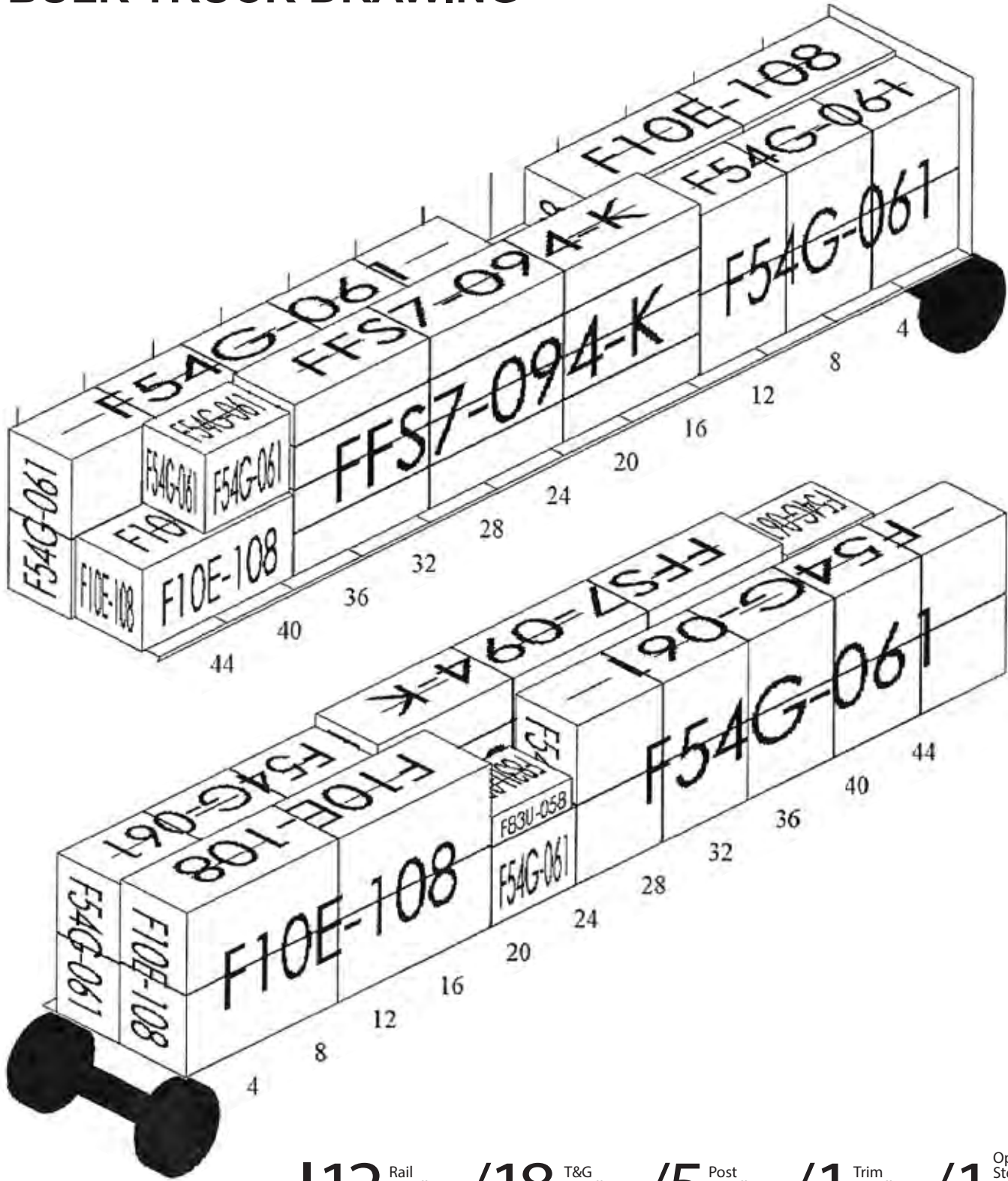
#R122

DWG NO.:

HVRP-10

6'H X 8'W - 2" x 7" Sun Pocket Rail - 72" Body

BULK TRUCK DRAWING



12 Rail Bundles PER TRUCK / **18** T&G Bundles PER TRUCK / **5** Post Bundles PER TRUCK / **1** Trim Bundles PER TRUCK / **1** Optional Steel Insert Bundles PER TRUCK

48' TRUCK

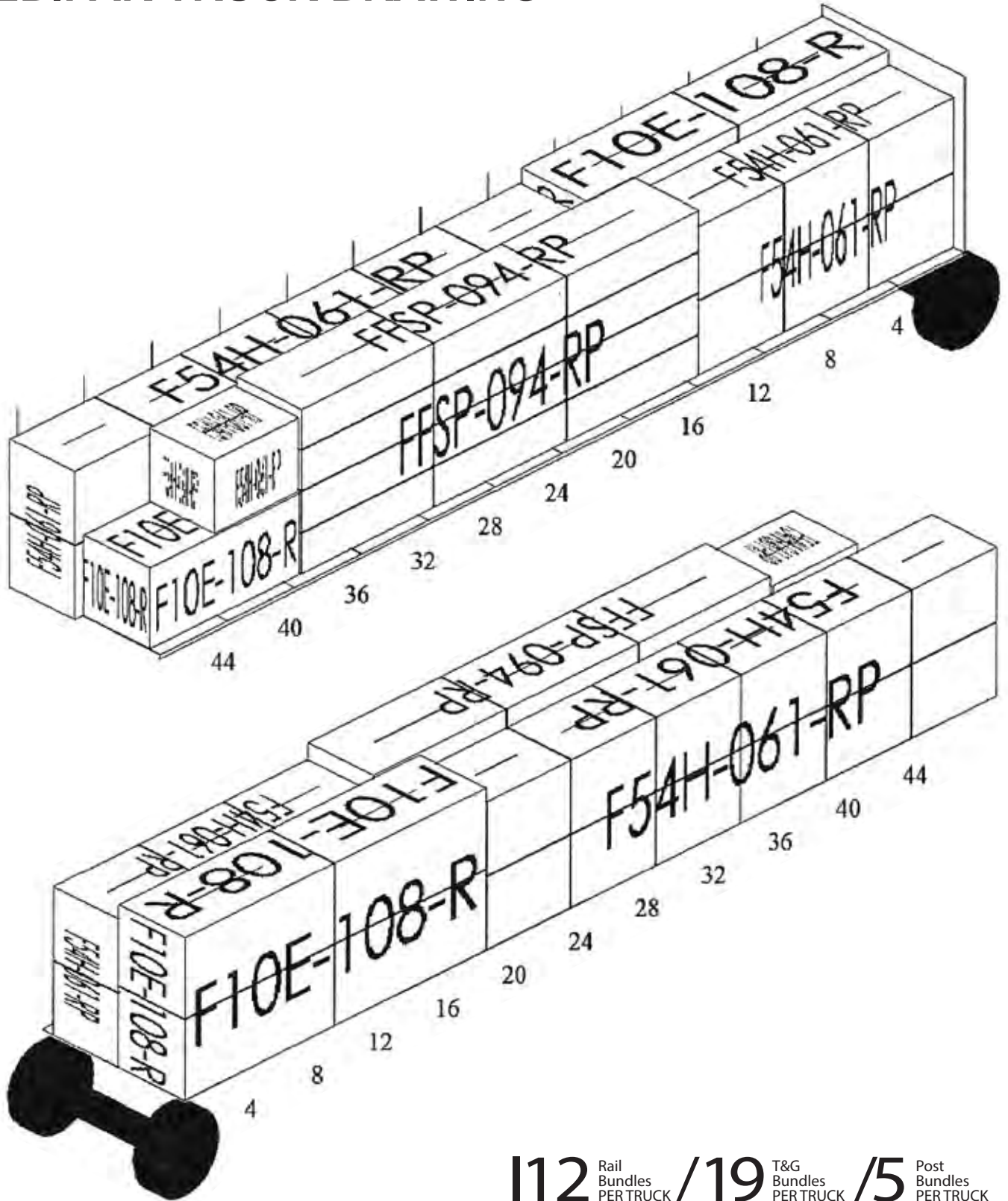


This drawing is the property of Homeland Vinyl Products, Inc. It is not to be reproduced, copied or traced in whole or in part without the written consent of Homeland Vinyl Products, Inc.

TITLE: 6'H x 8'W 2" x 7" Sun Pocket Rail Bulk (72" Body)				
DRAWN BY: ALW	DATE: 12/9/2023	SCALE: 1 : 24	ROUTE PATTERN: #R122	DWG NO. HVRP-10

6'H X 8'W - 2" x 7" Sun Pocket Rail RediPak - 72" Body

REDIPAK TRUCK DRAWING



12 Rail Bundles PER TRUCK / **19** T&G Bundles PER TRUCK / **5** Post Bundles PER TRUCK
 48' TRUCK

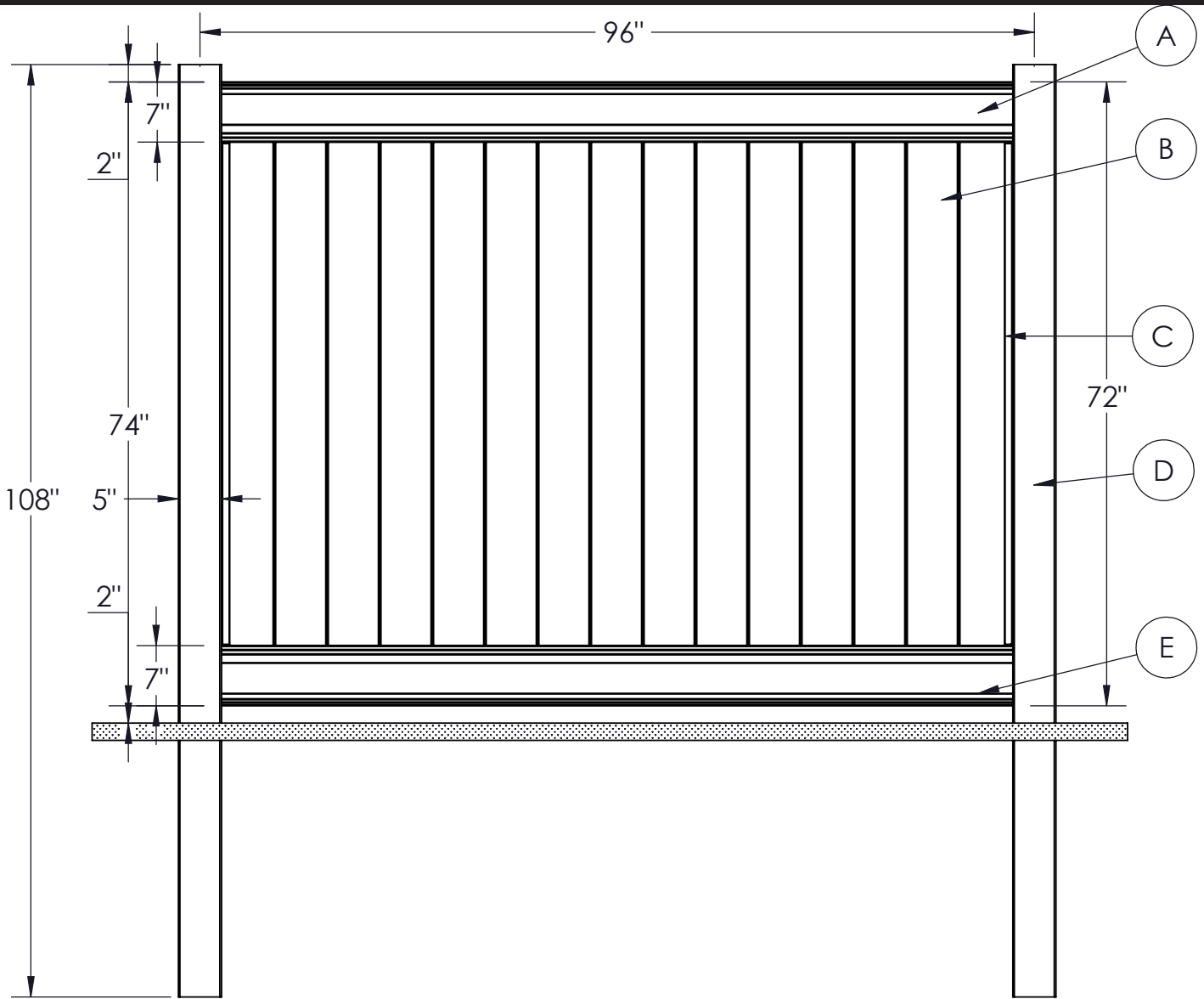


This drawing is the property of Homeland Vinyl Products, Inc. It is not to be reproduced, copied or traced in whole or in part without the written consent of Homeland Vinyl Products, Inc.

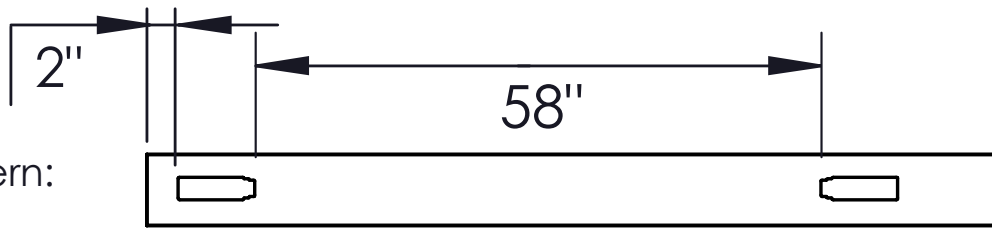
TITLE: 6'H x 8'W 2" x 7" Sun Pocket Rail RediPak (72" Body)

DRAWN BY: ALW	DATE: 12/9/2023	SCALE: 1 : 24	ROUTE PATTERN: #R122	DWG NO.: HVRP-10
---------------	-----------------	---------------	----------------------	------------------

6'H X 8'W - 2" x 7" Nexus RediPak - 72" Body



Key	Quantity	Item Key	Description
A	2	F3P2	2" x 7" x 94" Nexus Pocket Rail
B	15	F54G	7/8" x 6" x 61" Gorilla T&G
C	2	F83U	7/8" x 58" Trim Channel
D	2	F10E	5" x 5" x 108" Co-Ex Utility Post
E	1	G3RFH148	2" x 93" Steel Insert (Bottom Rail)



Route Pattern:
#R122



This drawing is the property of Homeland Vinyl Products, Inc. It is not to be reproduced, copied or traced in whole or in part without the written consent of Homeland Vinyl Products, Inc.

TITLE:

6'H x 8'W 2" x 7" Nexus RediPak
(72" Body)

DRAWN BY:

ALW

DATE:

12/9/2023

SCALE:

1 : 18

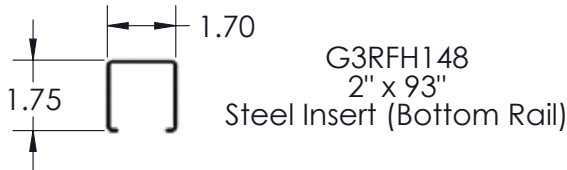
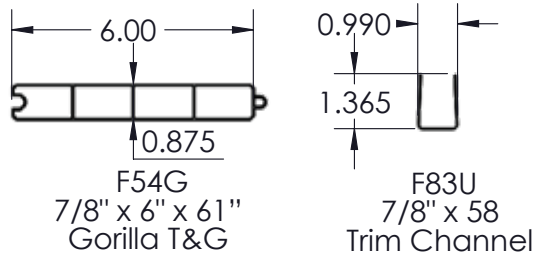
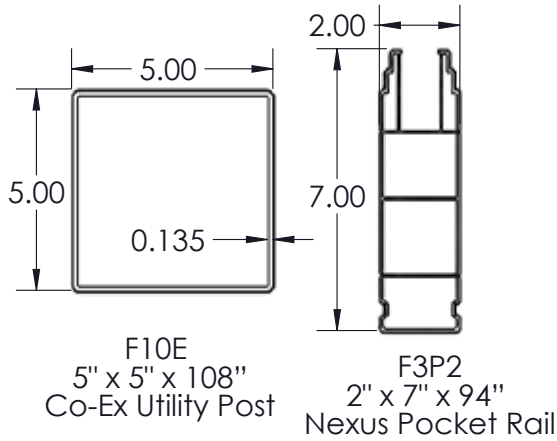
ROUTE PATTERN:

#R122

DWG NO.:

HVRP-13

6'H X 8'W - 2" x 7" Nexus RediPak - 72" Body



PLANT AVAILABILITY
NEW JERSEY ONLY

BULK

61" T&G for 8' Rail Bundle		
346 pcs of T&G / Bundle	WHITE	F54GW061346
	TAN	F54GT061346
	ADOBE	F54GD061346
2" X 7" X 94" Pocket Rail Bundle		
66 pcs. / Bundle Notched	WHITE	F3P2W094066-K
	TAN	F3P2T094066-K
	ADOBE	F3P2D094066-K
5" X 5" X 108" Co-Ex Utility Post Bundle		
81 pcs of 5" x 5" x 108" Co-Ex Utility Posts / Bundle	WHITE	F10EW108081
	TAN	F10ET108081
	ADOBE	F10ED108081
7/8" x 58" Trim Channel Bundle		
840 pcs. / Bundle	WHITE	F83UW058840
	TAN	F83UT058840
	ADOBE	F83UD058840

REDI PAK

61" T&G RediPakBundle for 8' Rail		
315 pcs of T&G / 21 Pks of 15	WHITE	F54HW061315
	TAN	F54HT061315
	ADOBE	F54HD061315
2" X 7" X 94" Pocket Rail RediPak Bundle		
2 Pcs of Rail, Insert (Tan & Adobe only), Trim / Pack 33 Rail Packs / Bundles	WHITE	F3PPW094033
	TAN	F3PPT094033-S
	ADOBE	F3PPD094033-S
5" X 5" X 108" Co-Ex Utility Routed Post Bundle		
81 pcs of 5" x 5" x 108" Co-Ex Utility Posts / Bundle	WHITE	F10EW108081-R122
	TAN	F10ET108081-R122
	ADOBE	F10ED108081-R122

**TRUCK DRAWING
ON FOLLOWING PAGES**



This drawing is the property of Homeland Vinyl Products, Inc. It is not to be reproduced, copied or traced in whole or in part without the written consent of Homeland Vinyl Products, Inc.

TITLE:

6'H x 8'W 2" x 7" Nexus RediPak
(72" Body)

DRAWN BY:

ALW

DATE:

12/9/2023

SCALE:

1 : 24

ROUTE PATTERN:

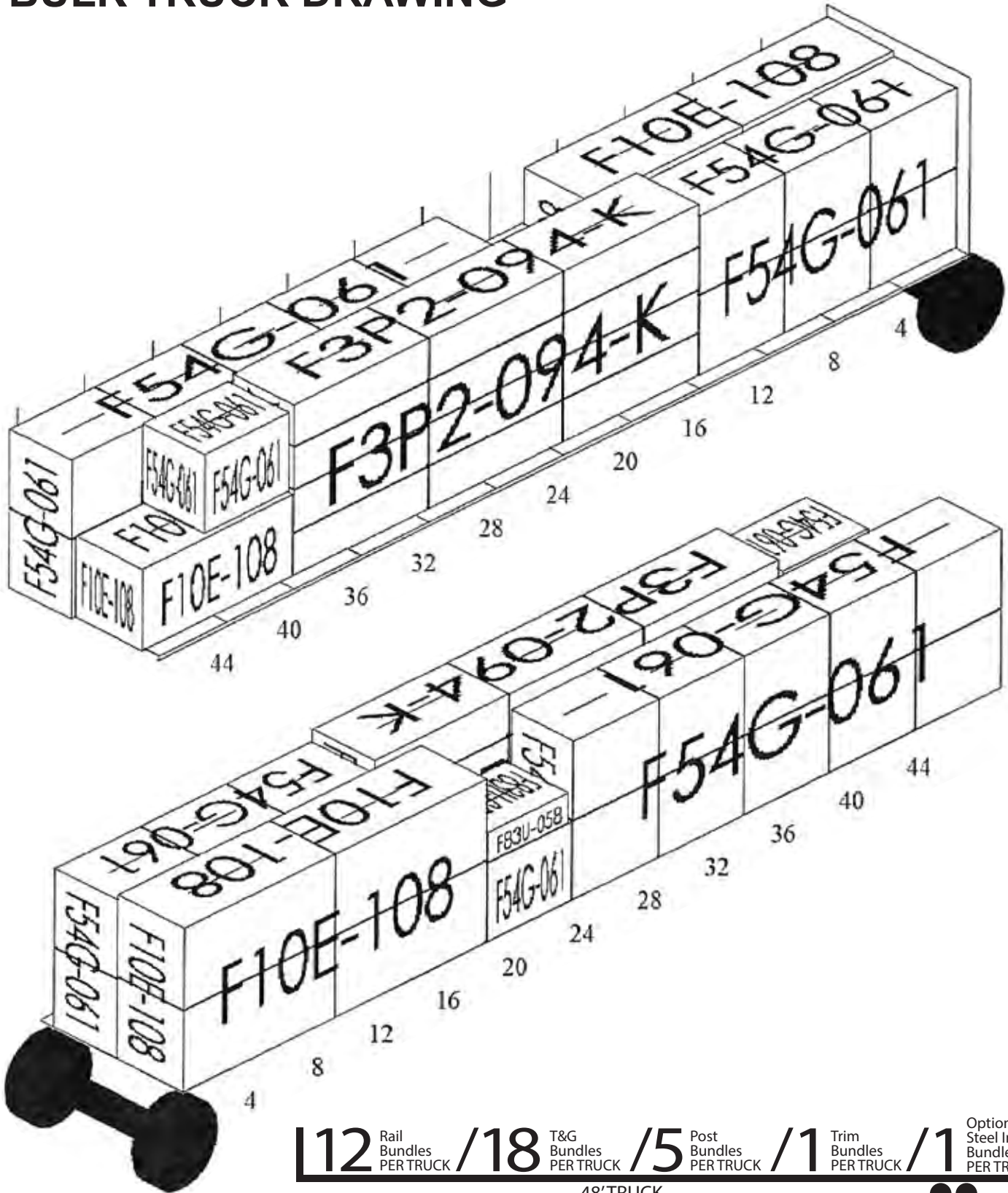
#R122

DWG NO.

HVRP-13

6'H X 8'W - 2" x 7" Nexus - 72" Body

BULK TRUCK DRAWING



12 Rail Bundles PER TRUCK / **18** T&G Bundles PER TRUCK / **5** Post Bundles PER TRUCK / **1** Trim Bundles PER TRUCK / **1** Optional Steel Insert Bundles PER TRUCK

48' TRUCK

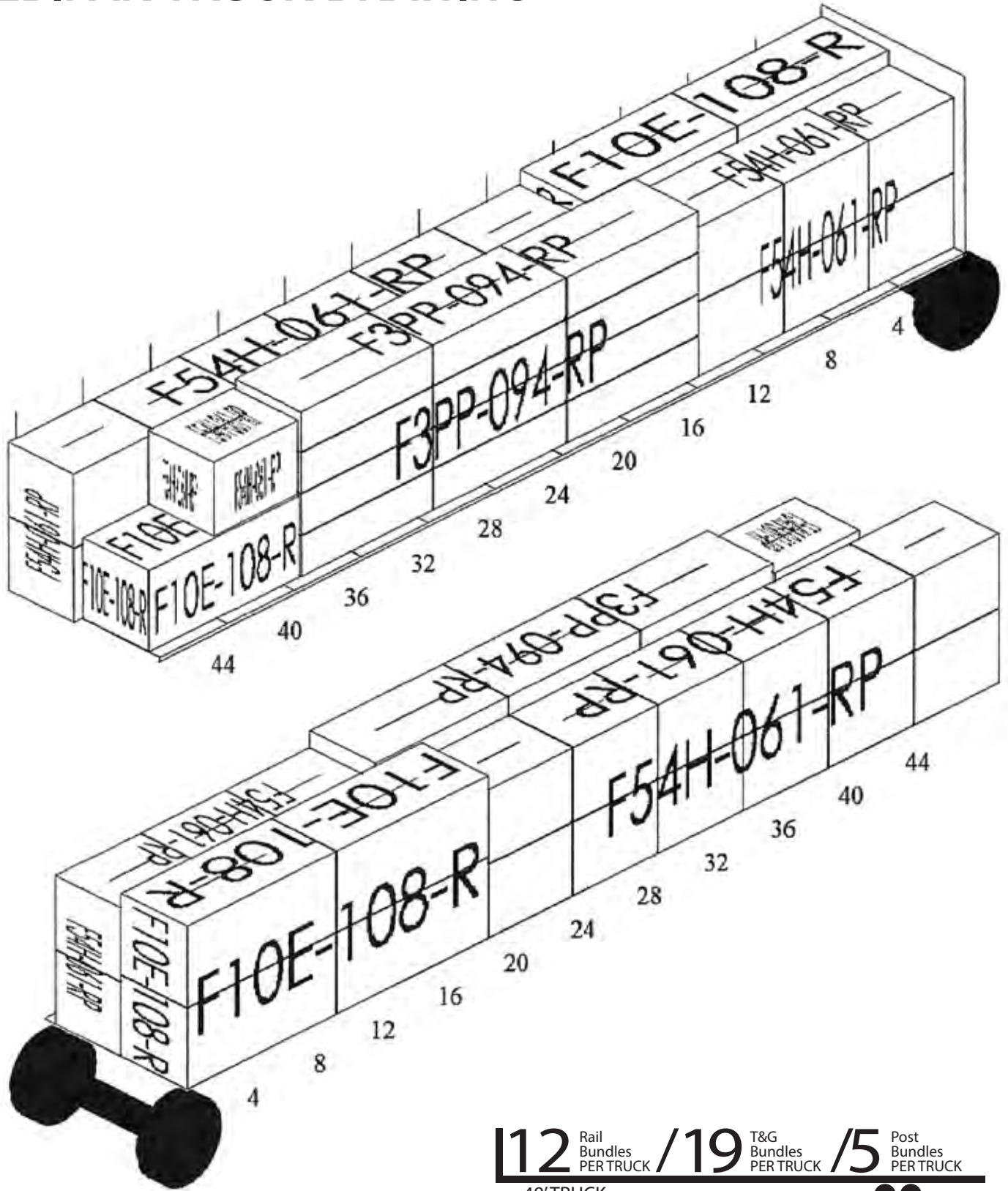


This drawing is the property of Homeland Vinyl Products, Inc. It is not to be reproduced, copied or traced in whole or in part without the written consent of Homeland Vinyl Products, Inc.

TITLE: 6'H x 8'W 2" x 7" Nexus Bulk (72" Body)				
DRAWN BY: ALW	DATE: 12/9/2023	SCALE: 1 : 24	ROUTE PATTERN: #R122	DWG NO. HVRP-13

6'H X 8'W - 2" x 7" Nexus RediPak - 72" Body

REDIPAK TRUCK DRAWING



12 Rail Bundles PER TRUCK / **19** T&G Bundles PER TRUCK / **5** Post Bundles PER TRUCK
 48' TRUCK



This drawing is the property of Homeland Vinyl Products, Inc. It is not to be reproduced, copied or traced in whole or in part without the written consent of Homeland Vinyl Products, Inc.

TITLE:

6'H x 8'W 2" x 7" Nexus RediPak (72" Body)

DRAWN BY:

ALW

DATE:

12/9/2023

SCALE:

1 : 24

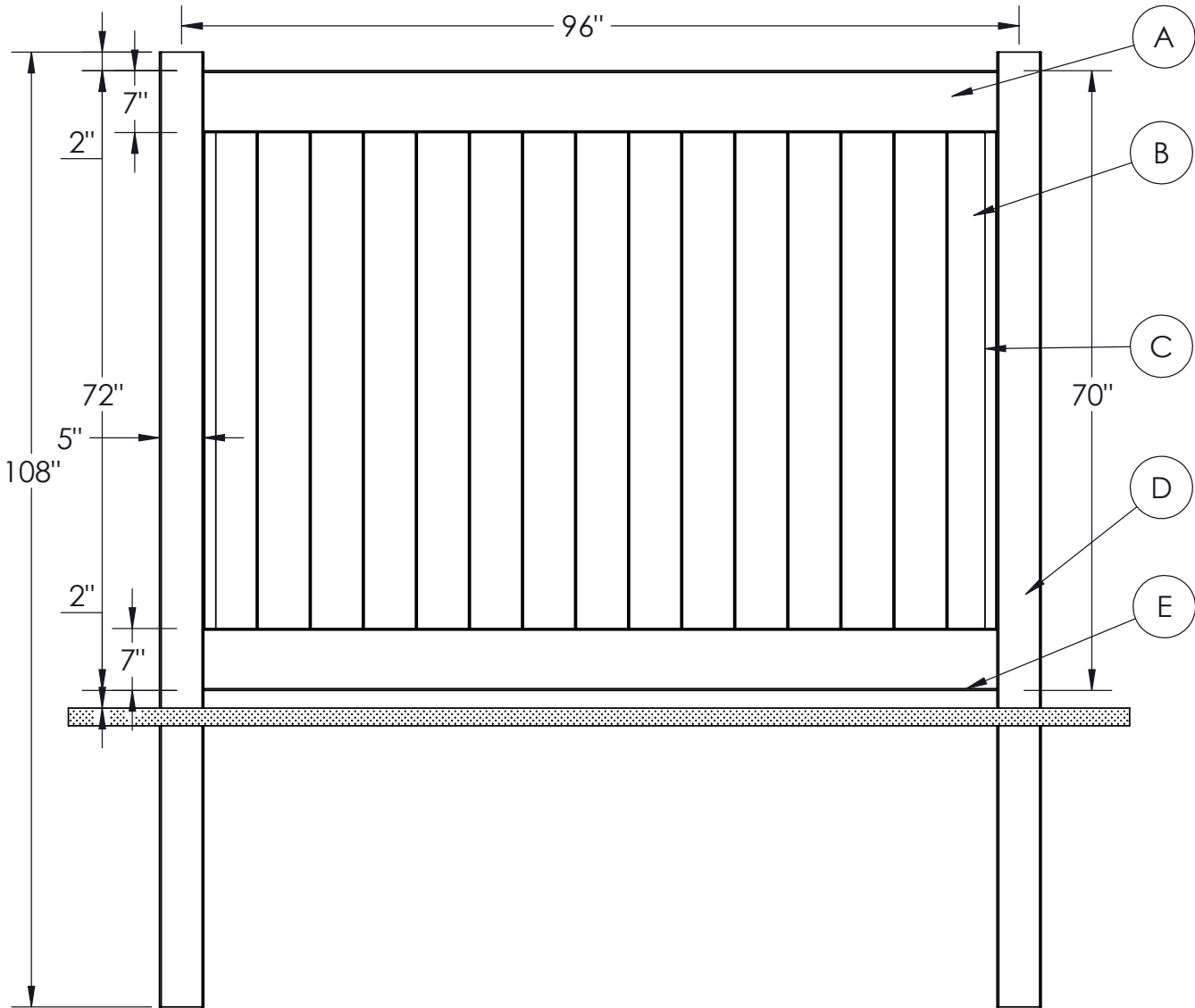
ROUTE PATTERN:

#R122

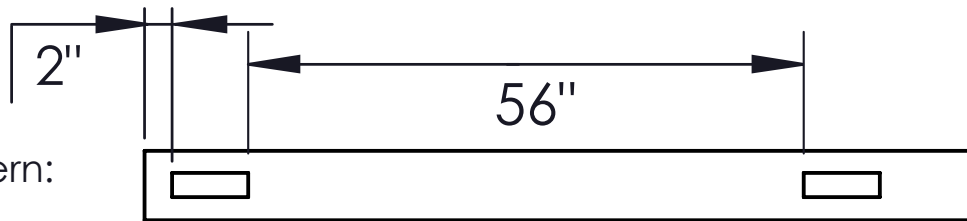
DWG NO.

HVRP-13

6'H X 8'W - 2" x 7" Hometown Rail RediPak - 70" Body



Key	Quantity	Item Key	Description
A	2	F3HT	2" x 7" x 94" Hometown Pocket Rail
B	15	F54G	7/8" x 6" x 59-1/2" Gorilla T&G
C	2	F83U	7/8" x 56" Trim Channel
D	2	F10E	5" x 5" x 108" Co-Ex Standard Post
E	1	G3RFH148	2" x 93" Steel Insert (Bottom Rail)



Route Pattern:
#R119

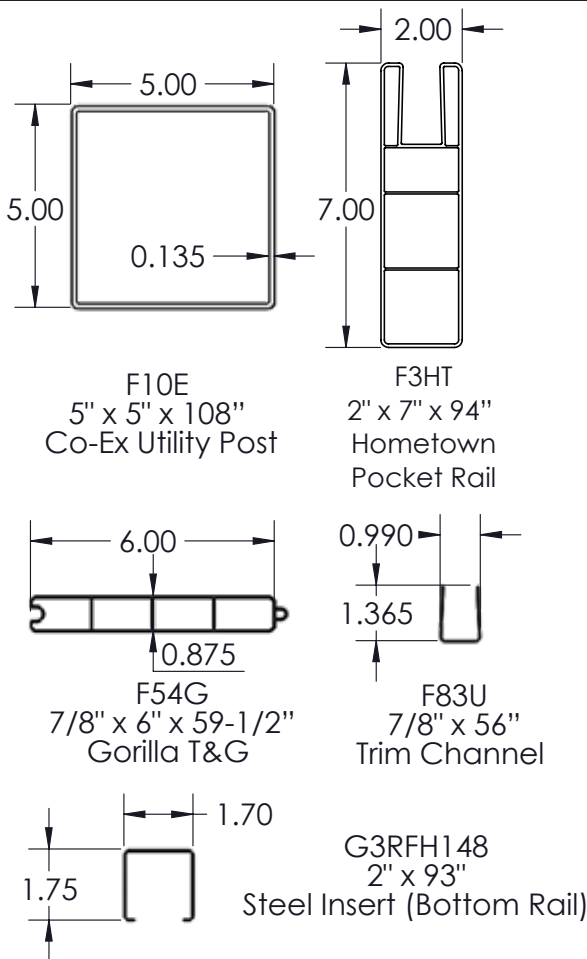


This drawing is the property of Homeland Vinyl Products, Inc. It is not to be reproduced, copied or traced in whole or in part without the written consent of Homeland Vinyl Products, Inc.

TITLE: 6'H x 8'W 2" x 7" Hometown Rail Redipak (70" Body)

DRAWN BY: ALW	DATE: 3/12/2024	SCALE: 1 : 18	ROUTE PATTERN: #R119	DWG NO: HVRP-17
---------------	-----------------	---------------	----------------------	-----------------

6'H X 8'W - 2" x 7" Hometown Rail RediPak - 70" Body



PLANT AVAILABILITY
NEW JERSEY ONLY

BULK

59-1/2" T&G for 8' Rail Bundle		
346 pcs of T&G / Bundle	WHITE	F54GW59B346
	TAN	F54GT59B346
	ADOBE	F54GD59B346
2" x 7" X 94" Pocket Rail Bundle		
66 pcs. / Bundle Notched	WHITE	F3HTW094066-K
	TAN	F3HTT094066-K
	ADOBE	F3HTD094066-K
5" X 5" X 108" Co-Ex Utility Post Bundle		
81 pcs of 5" x 5" x 108" Co-Ex Utility Posts / Bundle	WHITE	F10EW108081
	TAN	F10ET108081
	ADOBE	F10ED108081
7/8" x 56" Trim Channel Bundle		
840 pcs. / Bundle	WHITE	F83UW056840
	TAN	F83UT056840
	ADOBE	F83UD056840

REDI PAK

59-1/2" T&G RediPak Bundle for 8' Rail		
315 pcs of T&G / 21 Pks of 15	WHITE	F54HW59B315
	TAN	F54HT59B315
	ADOBE	F54HD59B315
2" x 7" X 94" Pocket Rail RediPak Bundle		
2 Pcs of Rail, Insert (Tan & Adobe only), Trim / Pack 33 Rail Packs / Bundles	WHITE	F3HHW094033-S
	TAN	F3HHT094033-S
	ADOBE	F3HHD094033-S
5" X 5" X 108" Co-Ex Utility Routed Post Bundle		
81 pcs of 5" x 5" x 108" Co-Ex Utility Posts / Bundle	WHITE	F10EW108081-R119
	TAN	F10ET108081-R119
	ADOBE	F10ED108081-R119

TRUCK DRAWING ON FOLLOWING PAGES



This drawing is the property of Homeland Vinyl Products, Inc. It is not to be reproduced, copied or traced in whole or in part without the written consent of Homeland Vinyl Products, Inc.

TITLE:

6'H x 8'W 2" x 7" Hometown Rail Redipak (70" Body)

DRAWN BY:

ALW

DATE:

3/12/2024

SCALE:

1 : 24

ROUTE PATTERN:

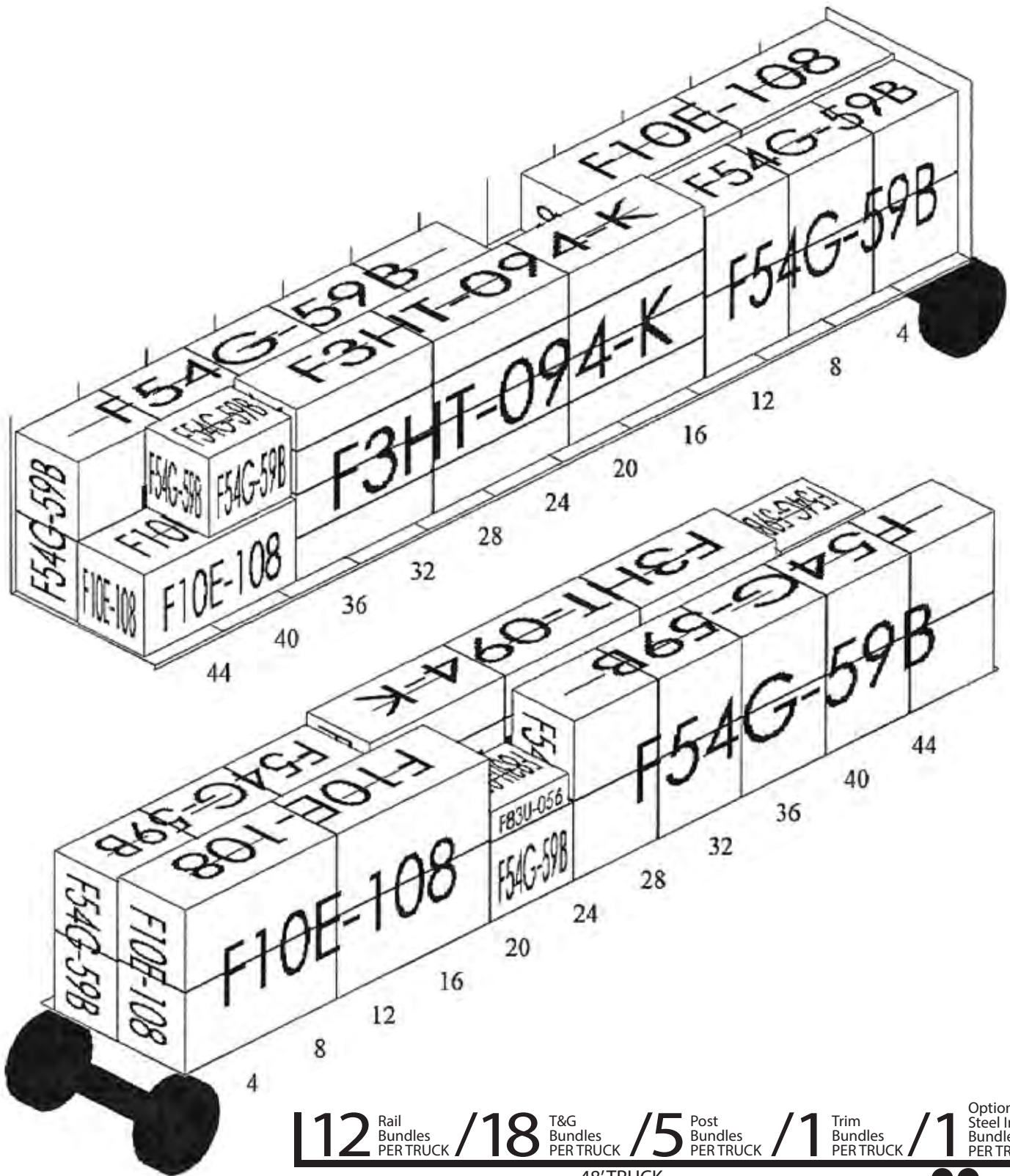
#R119

DWG NO.

HVRP-17

6'H X 8'W - 2" x 7" Hometown Rail - 70" Body

BULK TRUCK DRAWING



12 Rail Bundles PER TRUCK /
 18 T&G Bundles PER TRUCK /
 5 Post Bundles PER TRUCK /
 1 Trim Bundles PER TRUCK /
 1 Optional Steel Insert Bundles PER TRUCK
 48' TRUCK

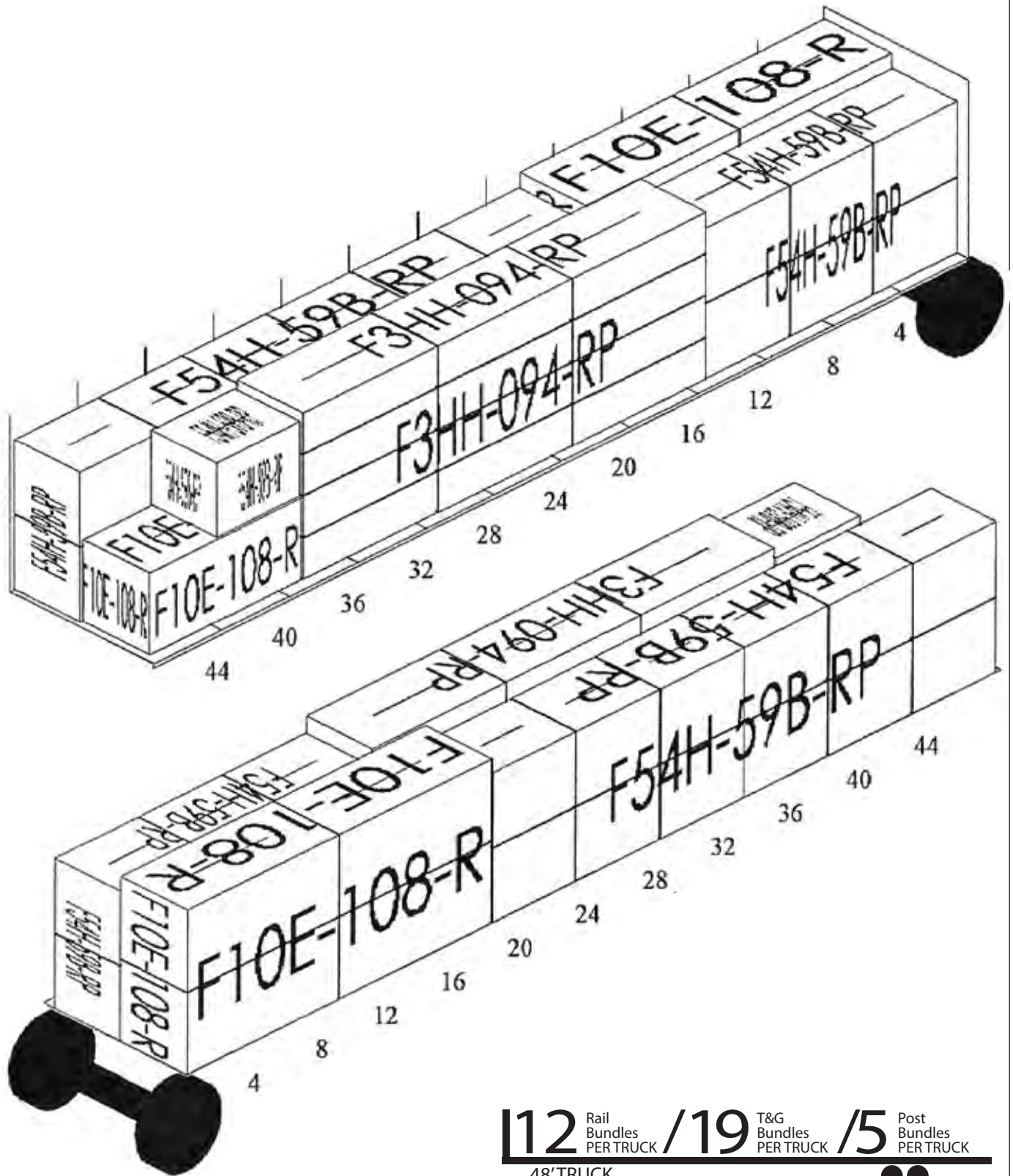


This drawing is the property of Homeland Vinyl Products, Inc. It is not to be reproduced, copied or traced in whole or in part without the written consent of Homeland Vinyl Products, Inc.

TITLE: 6'H x 8'W 2" x 7" Hometown Rail Bulk (70" Body)				
DRAWN BY: ALW	DATE: 3/12/2024	SCALE: 1 : 24	ROUTE PATTERN: #R119	DWG NO: HVRP-17

6'H X 8'W - 2" x 7" Hometown Rail RediPak - 70" Body

REDIPAK TRUCK DRAWING



112 Rail Bundles PER TRUCK / **19** T&G Bundles PER TRUCK / **5** Post Bundles PER TRUCK
 48' TRUCK

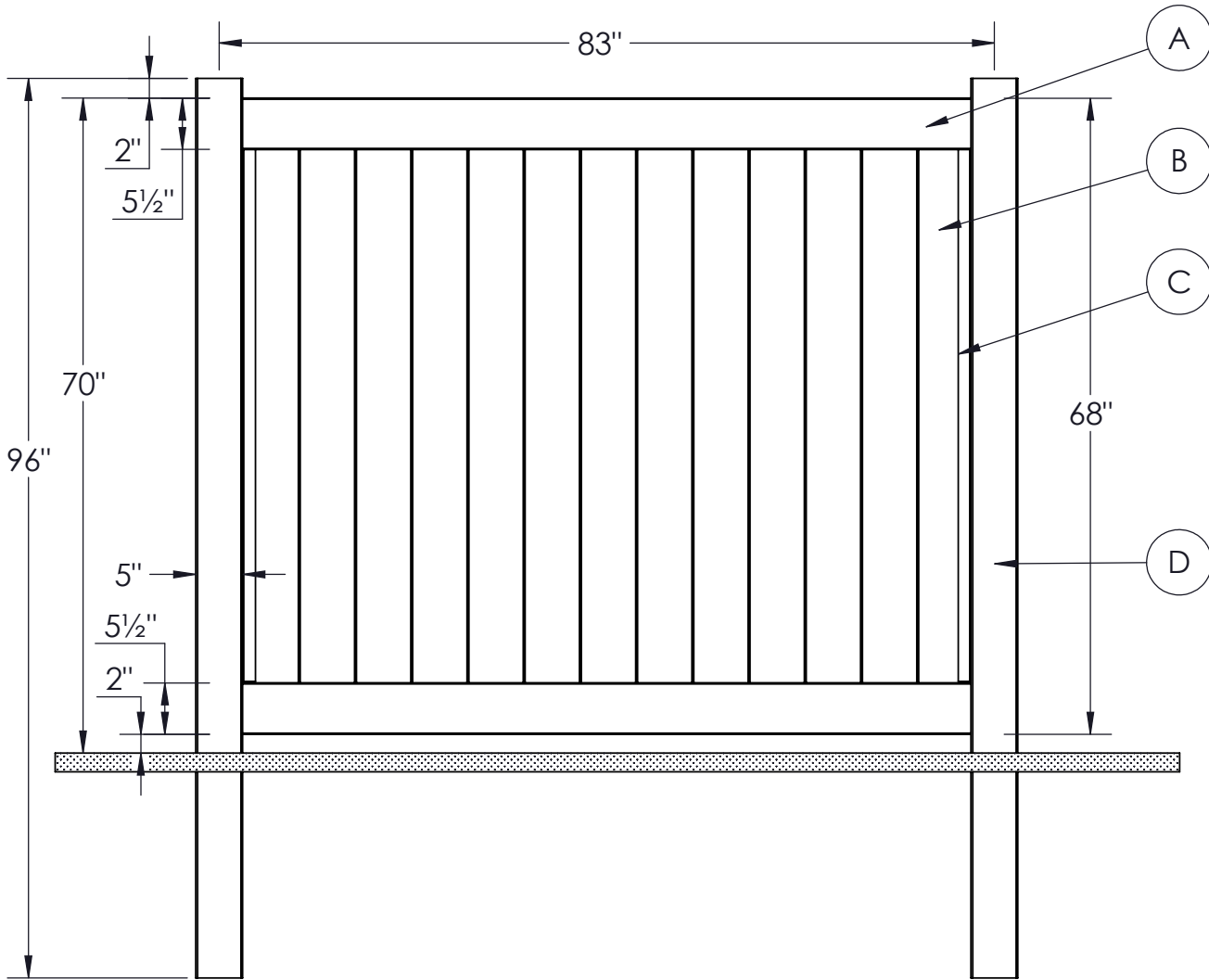


This drawing is the property of Homeland Vinyl Products, Inc. It is not to be reproduced, copied or traced in whole or in part without the written consent of Homeland Vinyl Products, Inc.

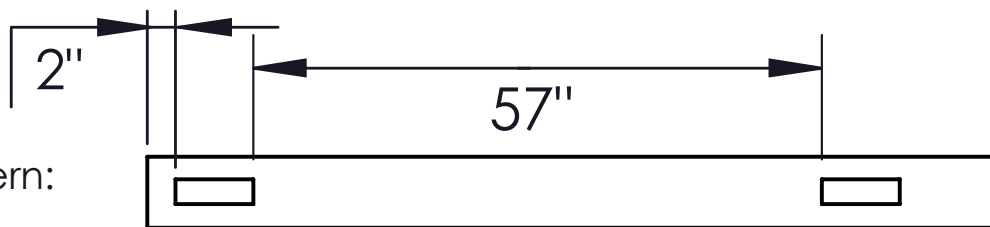
TITLE: 6'H x 8'W 2" x 7" Hometown Rail RediPak (70" Body)

DRAWN BY: ALW	DATE: 3/12/2024	SCALE: 1 : 24	ROUTE PATTERN: #R119	DWG. NO. HVRP-17
---------------	-----------------	---------------	----------------------	------------------

6'H X 7'W - 1-1/2" x 5-1/2" Gorilla Pocket Rail RediPak - 68" Body



Key	Quantity	Item Key	Description
A	2	F32G	1 1/2" x 5 1/2" x 83" Gorilla Pocket Rail
B	13	F54G	7/8" x 6" x 60 1/4" Gorilla T&G
C	2	F83U	7/8" x 56 3/4" Trim Channel
D	2	F10E	5" x 5" x 96" Co-Ex Utility Post



Route Pattern:
#R18

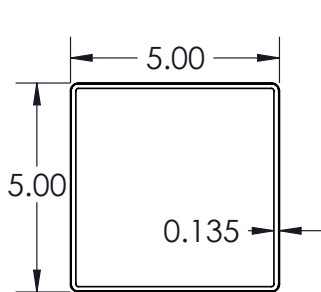


This drawing is the property of Homeland Vinyl Products, Inc. It is not to be reproduced, copied or traced in whole or in part without the written consent of Homeland Vinyl Products, Inc.

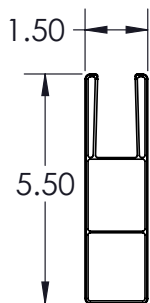
TITLE: 6'H x 83"W 1 1/2" x 5 1/2" Gorilla RediPak (68" Body)

DRAWN BY: ALW DATE: 2/21/2024 SCALE: 1 : 18 ROUTE PATTERN: #R18 DWG NO.: HVRP-15

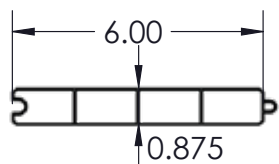
6'H X 7'W - 1-1/2" x 5-1/2" Gorilla Pocket Rail RediPak - 68" Body



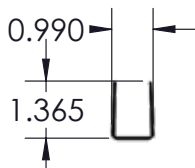
F10E
5" x 5" x 96"
Co-Ex Utility Post



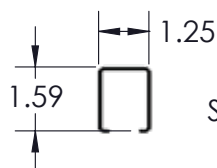
F32G
1 1/2" x 5 1/2" x 83"
Gorilla Pocket Rail



F54G
7/8" x 6" x 60-1/4"
Gorilla T&G



F83U
7/8" x 56-3/4"
Trim Channel



G3RFH121
1 1/2" x 82"
Steel Insert (Bottom Rail)



PLANT AVAILABILITY

**UTAH
ONLY**

BULK

60-1/4" T&G for 8' Rail Bundle		
346 pcs of T&G / Bundle	WHITE	F54GW60A346
	TAN	F54GT60A346
	ADOBE	F54GD60A346

1-1/2" X 5-1/2" X 83" Pocket Rail Bundle		
114 pcs. / Bundle	WHITE	F32GW083114
	TAN	F32GT083114
	ADOBE	F32GD083114

5" X 5" X 96" Co-Ex Utility Post Bundle		
81 pcs of 5" x 5" x 96" Co-Ex Utility Posts / Bundle	WHITE	F10EW096081
	TAN	F10ET096081
	ADOBE	F10ED096081

7/8" x 56-3/4" Trim Channel Bundle		
840 pcs. / Bundle	WHITE	F83UW56C840
	TAN	F83UT56C840
	ADOBE	F83UD56C840

REDI PAK

60-1/4" T&G RediPak Bundle for 8' Rail		
364 pcs of T&G / 28 Pks of 13	WHITE	F54HW60A364
	TAN	F54HT60A364
	ADOBE	F54HD60A364

1-1/2" X 5-1/2" X 83" Pocket Rail RediPak Bundle		
2 Pcs of Rail, Insert, Trim / Pack 42 Rail Packs / Bundles	WHITE	F32RW083956-S
	TAN	F32RT083956-S
	ADOBE	F32RD083956-S

5" X 5" X 96" Co-Ex Utility Routed Post Bundle		
81 pcs of 5" x 5" x 96" Co-Ex Utility Posts / Bundle	WHITE	F10EW096081-R18
	TAN	F10ET096081-R18
	ADOBE	F10ED096081-R18

**TRUCK DRAWING
ON FOLLOWING PAGES**



This drawing is the property of Homeland Vinyl Products, Inc. It is not to be reproduced, copied or traced in whole or in part without the written consent of Homeland Vinyl Products, Inc.

TITLE:

6'H x 83"W 1 1/2" x 5 1/2" Gorilla RediPak (68" Body)

DRAWN BY:

ALW

DATE:

2/21/2024

SCALE:

1 : 24

ROUTE PATTERN:

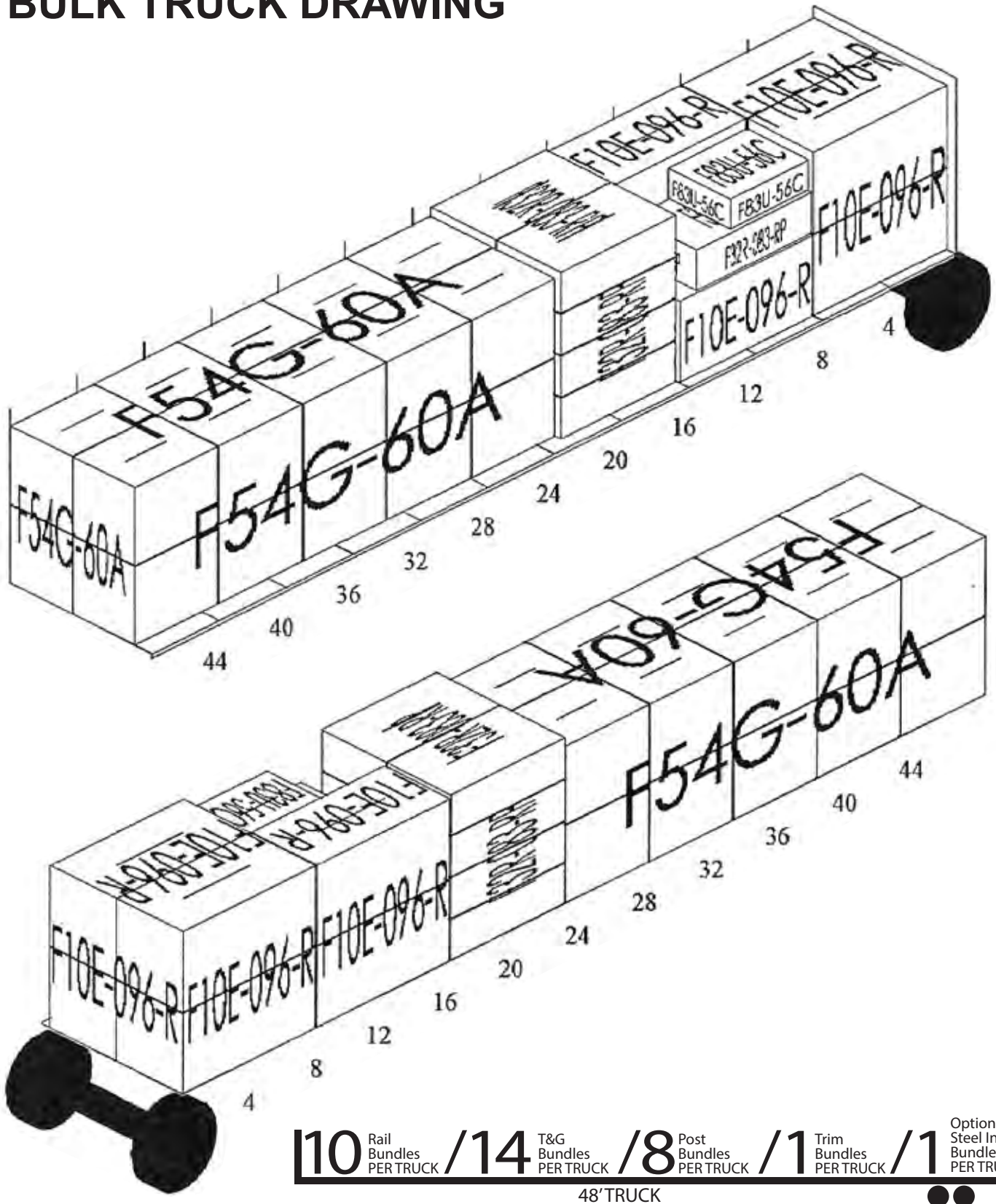
#R18

DWG NO.

HVRP-15

6'H X 7'W - 1-1/2" x 5-1/2" Gorilla Pocket Rail - 68" Body

BULK TRUCK DRAWING



10 Rail Bundles PER TRUCK / **14** T&G Bundles PER TRUCK / **8** Post Bundles PER TRUCK / **1** Trim Bundles PER TRUCK / **1** Optional Steel Insert Bundles PER TRUCK

48' TRUCK



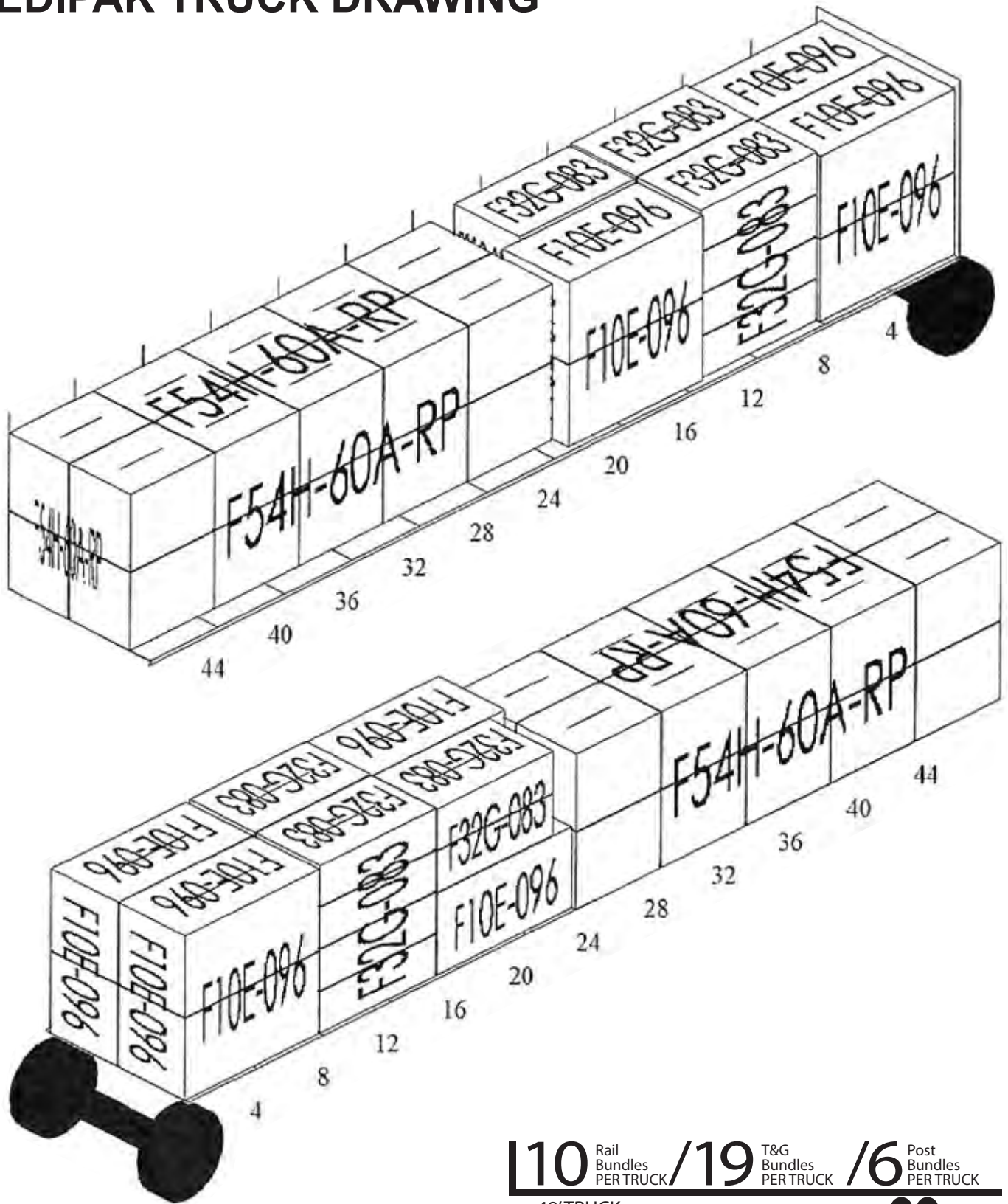
This drawing is the property of Homeland Vinyl Products, Inc. It is not to be reproduced, copied or traced in whole or in part without the written consent of Homeland Vinyl Products, Inc.

TITLE: 6'H x 83"W 1 1/2" x 5 1/2" Gorilla Pocket Rail Bulk (68" Body)

DRAWN BY: ALW	DATE: 2/21/2024	SCALE: 1 : 24	ROUTE PATTERN: #R18	DWG NO. HVRP-15
------------------	--------------------	------------------	------------------------	--------------------

6'H X 7'W - 1-1/2" x 5-1/2" Gorilla Pocket Rail RediPak - 68" Body

REDIPAK TRUCK DRAWING



10 Rail Bundles PER TRUCK / **19** T&G Bundles PER TRUCK / **6** Post Bundles PER TRUCK
48' TRUCK

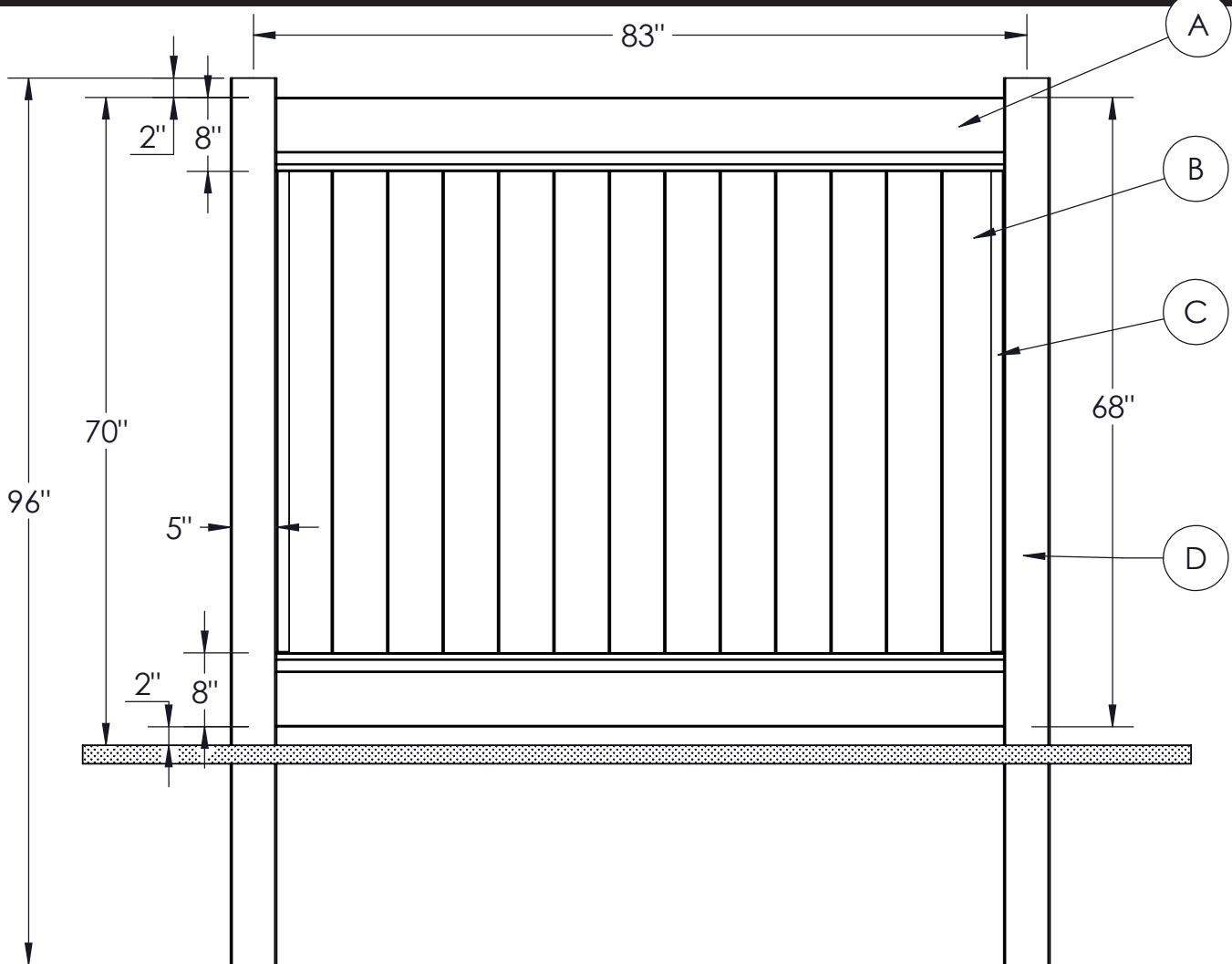


This drawing is the property of Homeland Vinyl Products, Inc. It is not to be reproduced, copied or traced in whole or in part without the written consent of Homeland Vinyl Products, Inc.

TITLE: 6'H x 83"W 1 1/2" x 5 1/2" Gorilla Pocket Rail RediPak (68" Body)

DRAWN BY: ALW	DATE: 2/21/2024	SCALE: 1 : 24	ROUTE PATTERN: #R18	DWG NO. HVRP-15
---------------	-----------------	---------------	---------------------	-----------------

6'H X 7'W - 1-1/2" x 8" Gorilla RediPak - 68" Body



Key	Quantity	Item Key	Description
A	2	F3P1	1½" x 8" x 83" Gorilla Pocket Rail
B	13	F54G	7/8" x 6" x 55¼" Gorilla T&G
C	2	F83U	7/8" x 52" Trim Channel
D	2	F10C	5" x 5" x 96" Co-Ex Utility Post



Route Pattern:
#R94



This drawing is the property of Homeland Vinyl Products, Inc. It is not to be reproduced, copied or traced in whole or in part without the written consent of Homeland Vinyl Products, Inc.

TITLE:

6'H x 83"W 1½" x 8" Gorilla RediPak
(68" Body)

DRAWN BY:

ALW

DATE:

2/12/2024

SCALE:

1 : 18

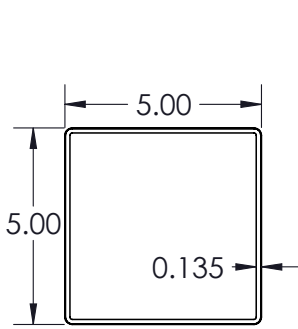
ROUTE PATTERN:

#R94

DWG NO.

HVRP-16

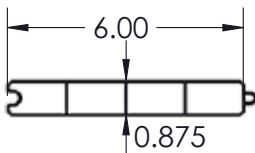
6'H X 7'W - 1-1/2" x 8" Gorilla RediPak - 68" Body



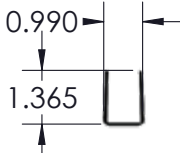
F10E
5" x 5" x 96"
Co-Ex Utility Post



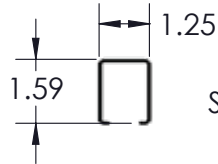
F3P1
1 1/2" x 8" x 83"
Gorilla Pocket Rail



F54G
7/8" x 6" x 55-1/4"
Gorilla T&G



F83U
7/8" x 52"
Trim Channel



G3RFH121
1 1/2" x 82"
Steel Insert (Bottom Rail)



PLANT AVAILABILITY

**UTAH
ONLY**

BULK

55-1/4" T&G for 8' Rail Bundle		
346 pcs of T&G / Bundle	WHITE	F54GW55A346
	TAN	F54GT55A346
	ADOBE	F54GD55A346

1-1/2" X 8" X 83" Pocket Rail Bundle		
72 pcs. / Bundle	WHITE	F3P1W083072
	TAN	F3P1T083072
	ADOBE	F3P1D083072

5" X 5" X 96" Co-Ex Utility Post Bundle		
81 pcs of 5" x 5" x 96" Co-Ex Utility Posts / Bundle	WHITE	F10EW096081
	TAN	F10ET096081
	ADOBE	F10ED096081

7/8" x 52" Trim Channel Bundle		
840 pcs. / Bundle	WHITE	F83UW052840
	TAN	F83UT052840
	ADOBE	F83UD052840

REDI PAK

55-1/4" T&G RediPak Bundle for 8' Rail		
364 pcs of T&G / 28 Pks of 13	WHITE	F54HW55A364
	TAN	F54HT55A364
	ADOBE	F54HD55A364

1-1/2" X 8" X 83" Pocket Rail RediPak Bundle		
2 Pcs of Rail, Insert, Trim / Pack 42 Rail Packs / Bundles	WHITE	F3PNW083038
	TAN	F3PNT083038-S
	ADOBE	F3PND083038-S

5" X 5" X 96" Co-Ex Utility Routed Post Bundle		
81 pcs of 5" x 5" x 96" Co-Ex Utility Posts / Bundle	WHITE	F10EW096081-R94
	TAN	F10ET096081-R94
	ADOBE	F10ED096081-R94

**TRUCK DRAWING
ON FOLLOWING PAGES**



This drawing is the property of Homeland Vinyl Products, Inc. It is not to be reproduced, copied or traced in whole or in part without the written consent of Homeland Vinyl Products, Inc.

TITLE:

6'H x 83"W 1 1/2" x 8" Gorilla RediPak
(68" Body)

DRAWN BY:

ALW

DATE:

2/12/2024

SCALE:

1 : 24

ROUTE PATTERN:

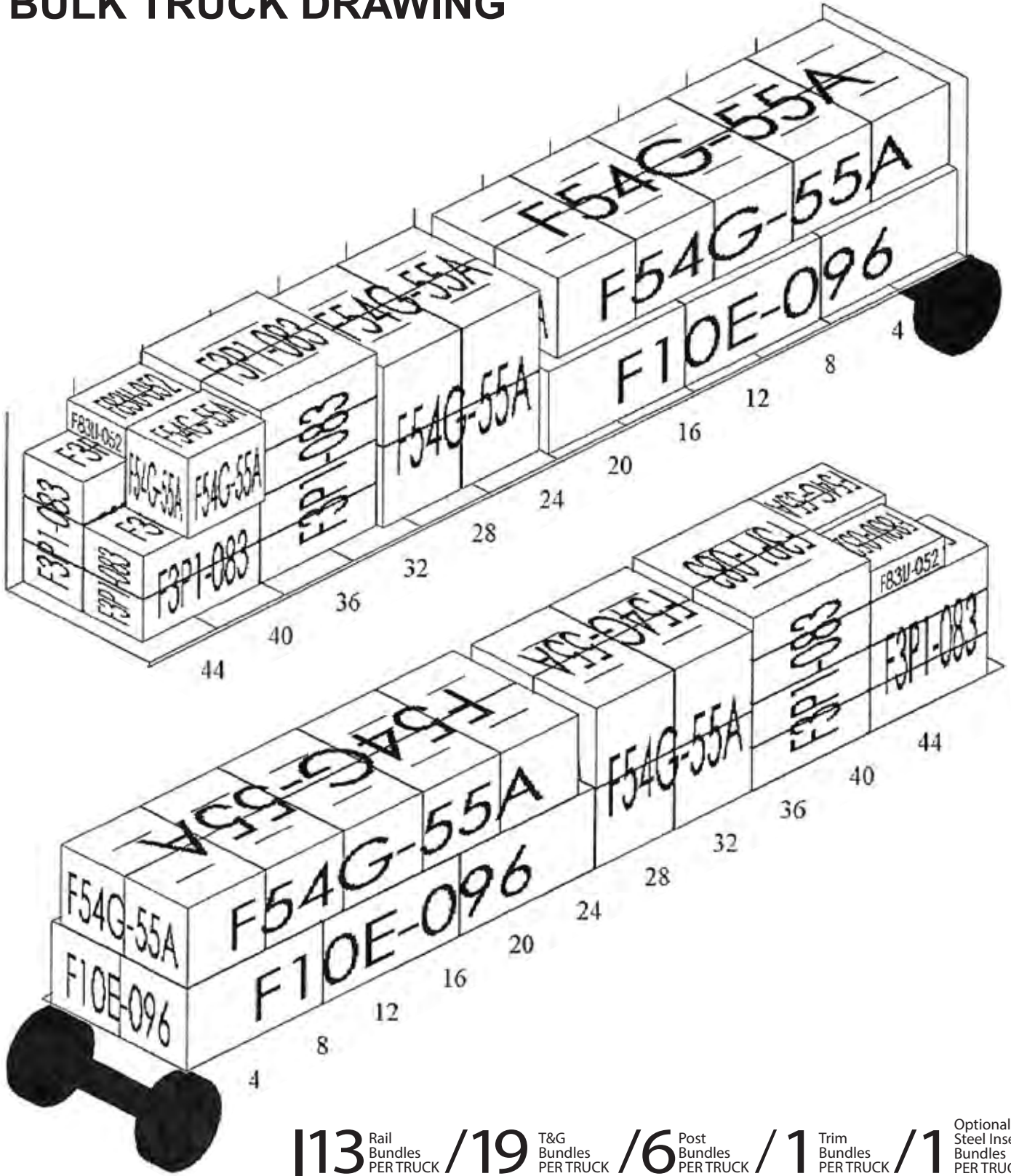
#R94

DWG NO.

HVRP-16

6'H X 7'W - 1-1/2" x 8" Gorilla - 68" Body

BULK TRUCK DRAWING



13 Rail Bundles PER TRUCK / **19** T&G Bundles PER TRUCK / **6** Post Bundles PER TRUCK / **1** Trim Bundles PER TRUCK / **1** Optional Steel Insert Bundles PER TRUCK
48' TRUCK

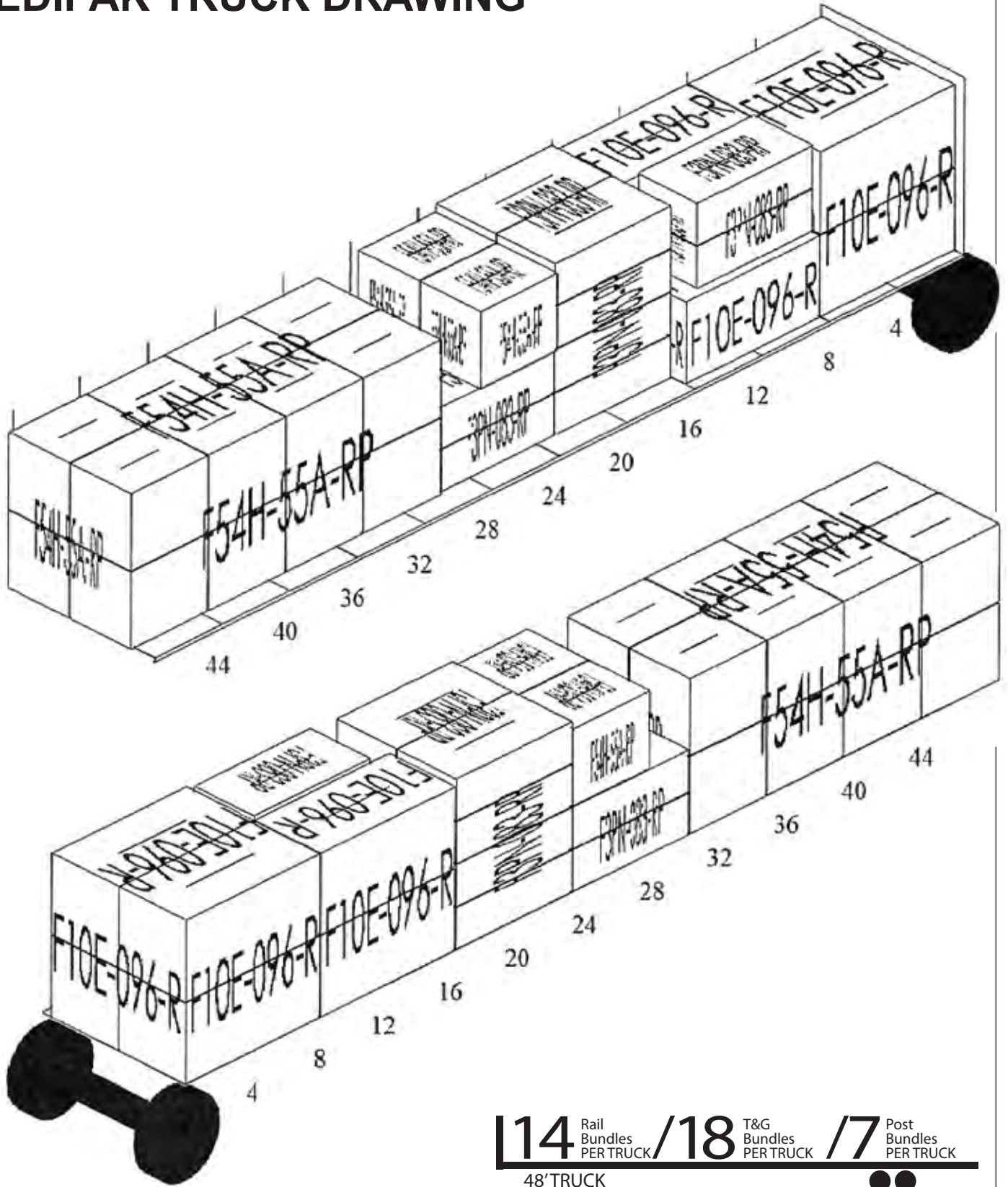


This drawing is the property of Homeland Vinyl Products, Inc. It is not to be reproduced, copied or traced in whole or in part without the written consent of Homeland Vinyl Products, Inc.

TITLE: 6'H x 83"W 1 1/2" x 8" Gorilla RediPak (68" Body)				
DRAWN BY: ALW	DATE: 2/12/2024	SCALE: 1 : 24	ROUTE PATTERN: #R94	DWG NO: HVRP-16

6'H X 7'W - 1-1/2" x 8" Gorilla RediPak - 68" Body

REDIPAK TRUCK DRAWING



14 Rail Bundles PER TRUCK / **18** T&G Bundles PER TRUCK / **7** Post Bundles PER TRUCK
 48' TRUCK



This drawing is the property of Homeland Vinyl Products, Inc. It is not to be reproduced, copied or traced in whole or in part without the written consent of Homeland Vinyl Products, Inc.

TITLE: 6'H x 83"W 1 1/2" x 8" Gorilla RediPak (68" Body)				
DRAWN BY: ALW	DATE: 2/12/2024	SCALE: 1 : 24	ROUTE PATTERN: #R94	DWG NO: HVRP-16

Ranch Rail Program

Homeland Vinyl Products, Inc.

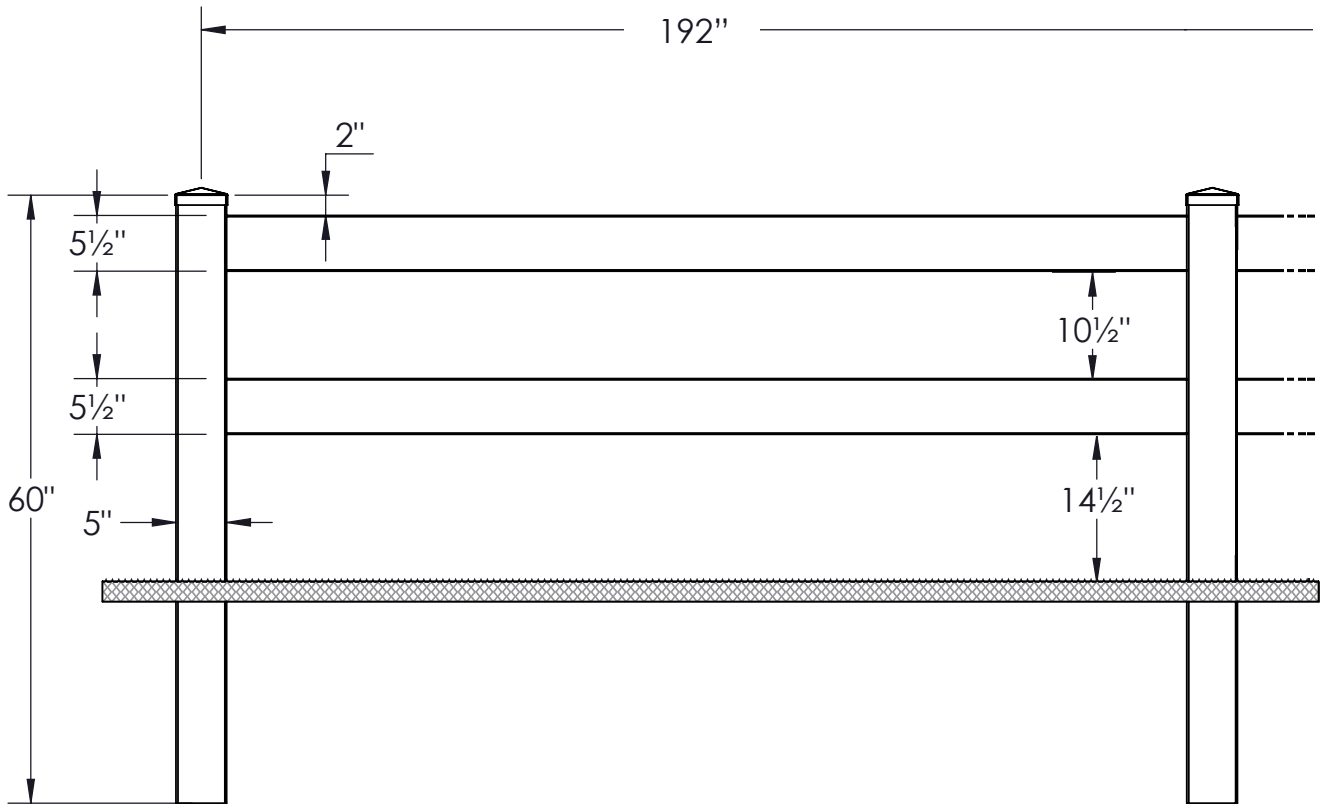


Waymark Accessories can add extra value. Add a decorative cap or even solar lighting to Ranch Rail. Metal and Tiffany style tops are also available to add a more elegant appearance.



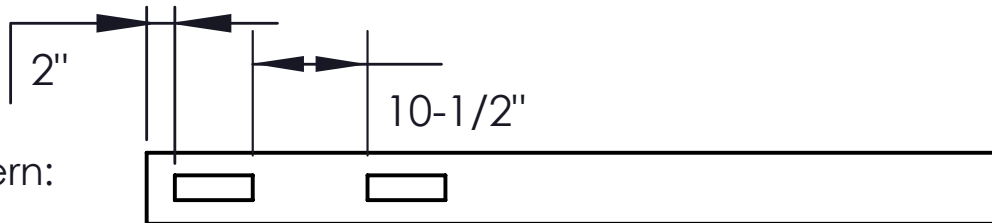
WaymarkProducts.com

1-1/2" x 5-1/2" Two Ranch Rail



Quantity	Item Key	Description
2	C55PYRA	5" X 5" External Pyramid Post Cap
2	F27M	1-1/2" x 5-1/2" x 192" Co-Ex Utility Value Rail
2	F10J	5" x 5" x 60" Co-Ex Utility Ranch Post
Ranch Rail RediPak HVP Bundle Item Keys		

Route Pattern:
#R23



This drawing is the property of Homeland Vinyl Products, Inc. It is not to be reproduced, copied or traced in whole or in part without the written consent of Homeland Vinyl Products, Inc.

TITLE:

1 1/2" x 5 1/2" Two Ranch Rail

DRAWN BY:

ALW

DATE:

4/29/2022

SCALE:

1 : 18

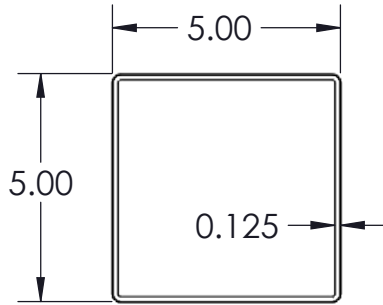
ROUTE PATTERN:

#R23

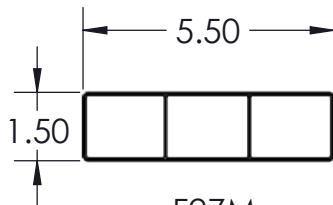
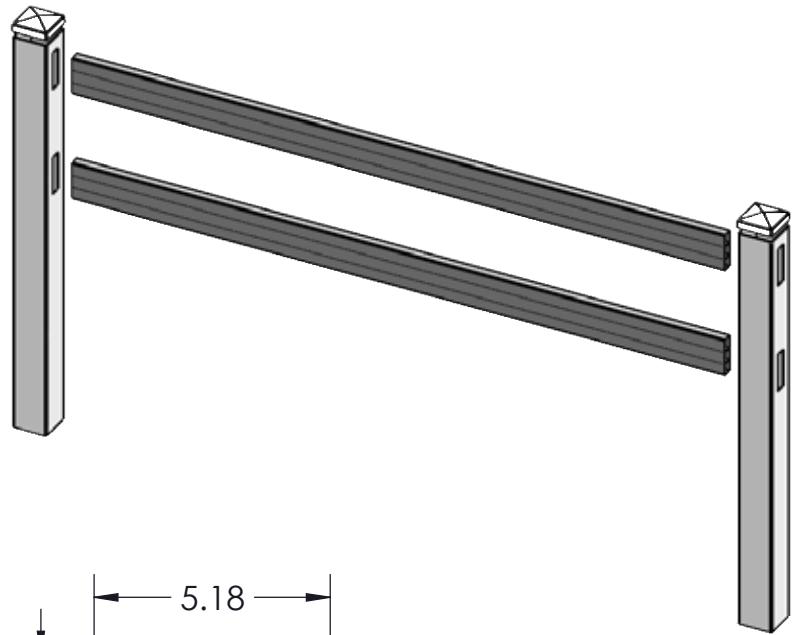
DWG NO.

HVRR-10

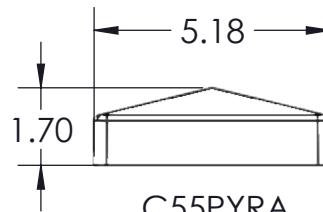
1-1/2" x 5-1/2" Two Ranch Rail



F10J
5" x 5"
Co-Ex Utility Ranch Post



F27M
1 1/2" x 5 1/2"
Co-Ex Utility Value Rail



C55PYRA
5" x 5"
External Pyramid Post Cap

PLANT AVAILABILITY

**ALABAMA and TEXAS
ONLY**

12 Rail Bundles PER TRUCK / **14** Post Bundles PER TRUCK
48' TRUCK ●●



This drawing is the property of Homeland Vinyl Products, Inc. It is not to be reproduced, copied or traced in whole or in part without the written consent of Homeland Vinyl Products, Inc.

TITLE:

1 1/2" x 5 1/2" Two Ranch Rail

DRAWN BY:

ALW

DATE:

4/29/2022

SCALE:

1 : 24

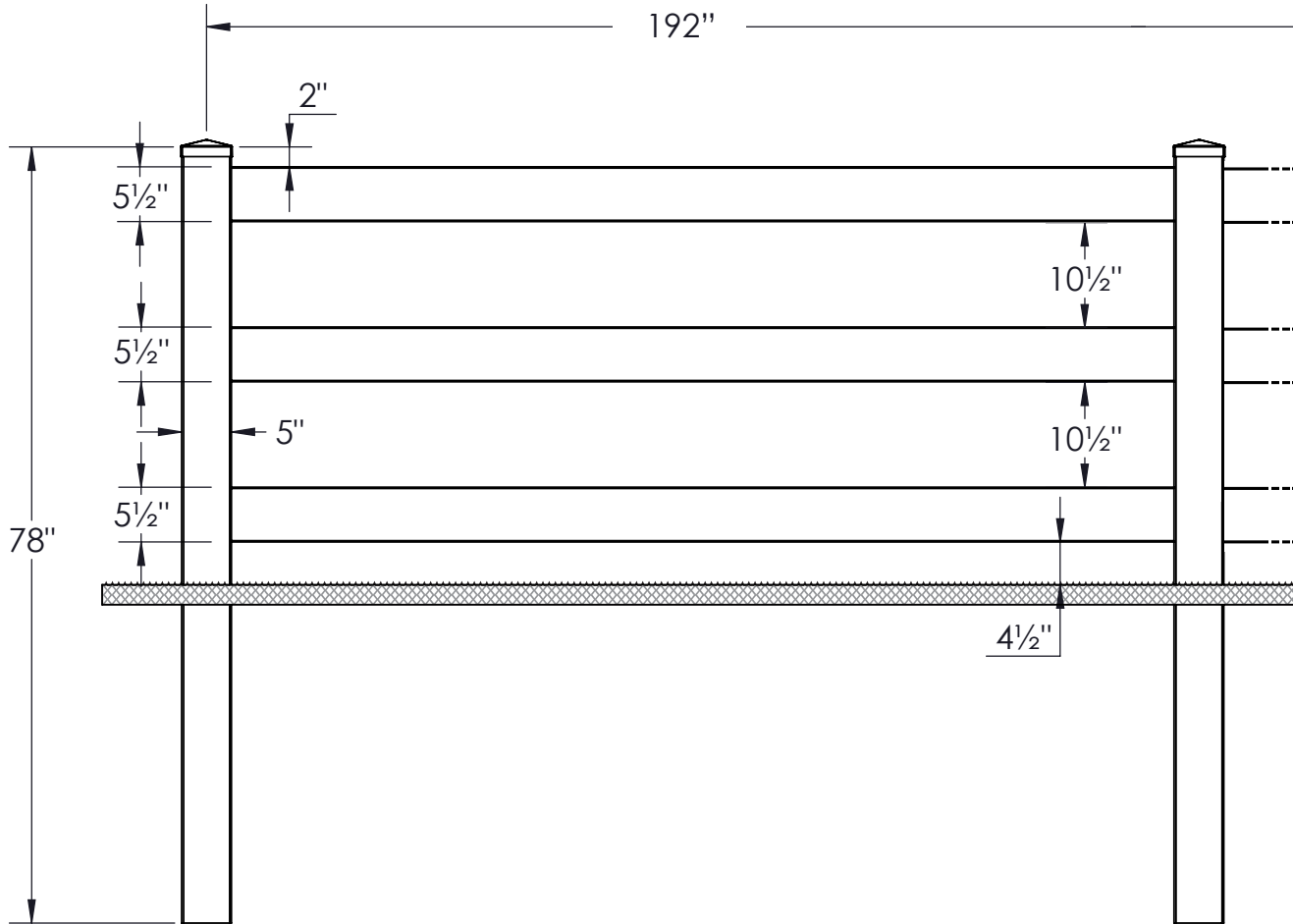
ROUTE PATTERN:

#R23

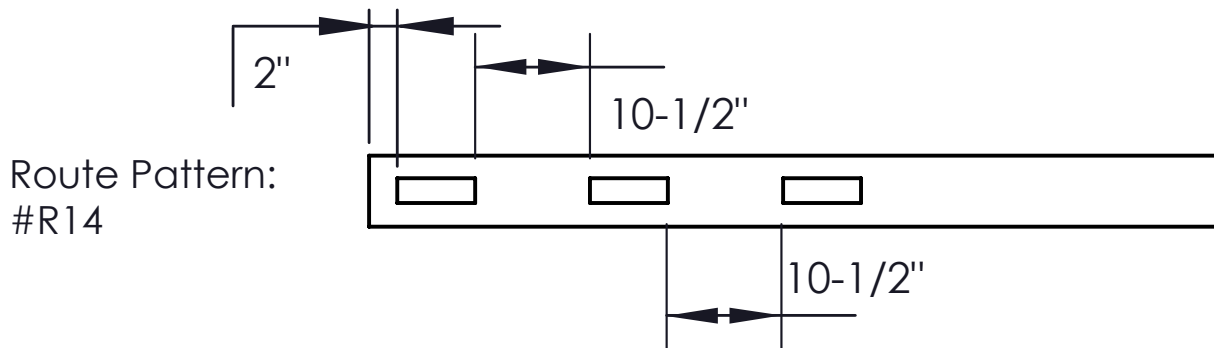
DWG NO.

HVRR-10

1-1/2" x 5-1/2" Three Ranch Rail



Quantity	Item Key	Description
2	C55PYRA	5" X 5" External Pyramid Post Cap
3	F27M	1-1/2" x 5-1/2" x 192" Co-Ex Utility Value Rail
2	F10J	5" x 5" x 78" Co-Ex Utility Ranch Post
Ranch Rail RediPak HVP Bundle Item Keys		



This drawing is the property of Homeland Vinyl Products, Inc. It is not to be reproduced, copied or traced in whole or in part without the written consent of Homeland Vinyl Products, Inc.

TITLE:

1 1/2" x 5 1/2" Three Ranch Rail

DRAWN BY:

ALW

DATE:

5/2/2022

SCALE:

1 : 18

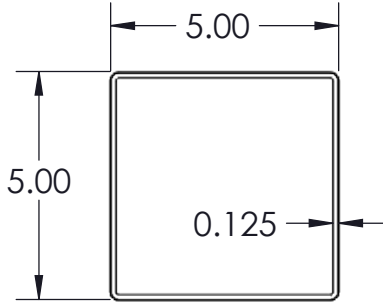
ROUTE PATTERN:

#R14

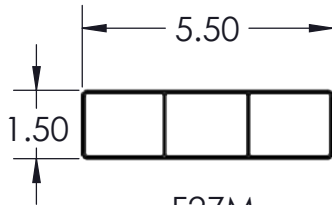
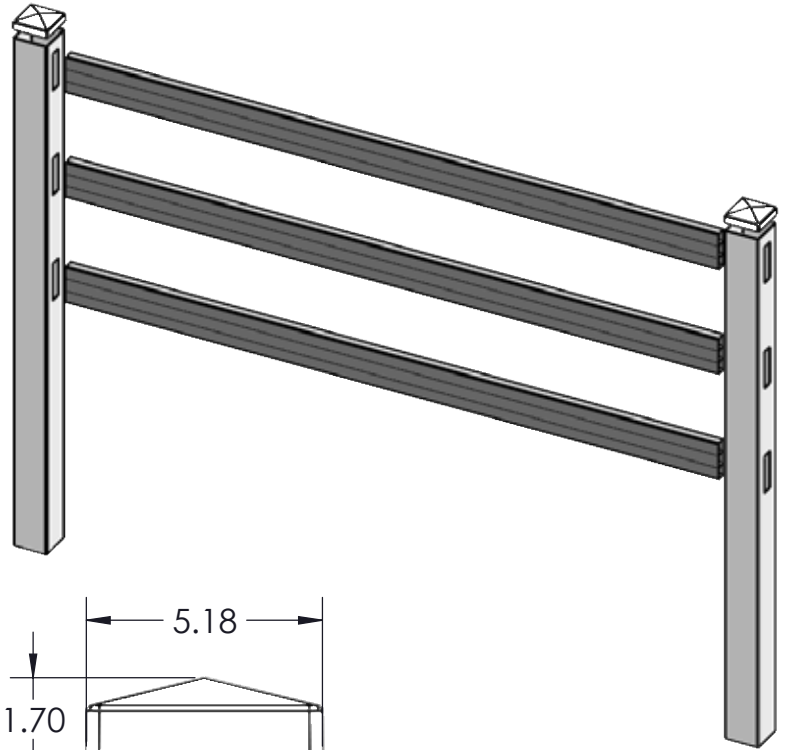
DWG NO.:

HVRR-11

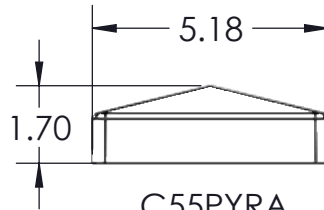
1-1/2" x 5-1/2" Three Ranch Rail



F10J
5" x 5"
Co-Ex Utility Ranch Post



F27M
1 1/2" x 5 1/2"
Co-Ex Utility Value Rail



C55PYRA
5" x 5"
External Pyramid Post Cap

PLANT AVAILABILITY

**ALABAMA and TEXAS
ONLY**

12 Rail Bundles PER TRUCK / **14** Post Bundles PER TRUCK
48' TRUCK ●●



This drawing is the property of Homeland Vinyl Products, Inc. It is not to be reproduced, copied or traced in whole or in part without the written consent of Homeland Vinyl Products, Inc.

TITLE:

1 1/2" x 5 1/2" Three Ranch Rail

DRAWN BY:

ALW

DATE:

5/2/2022

SCALE:

1 : 24

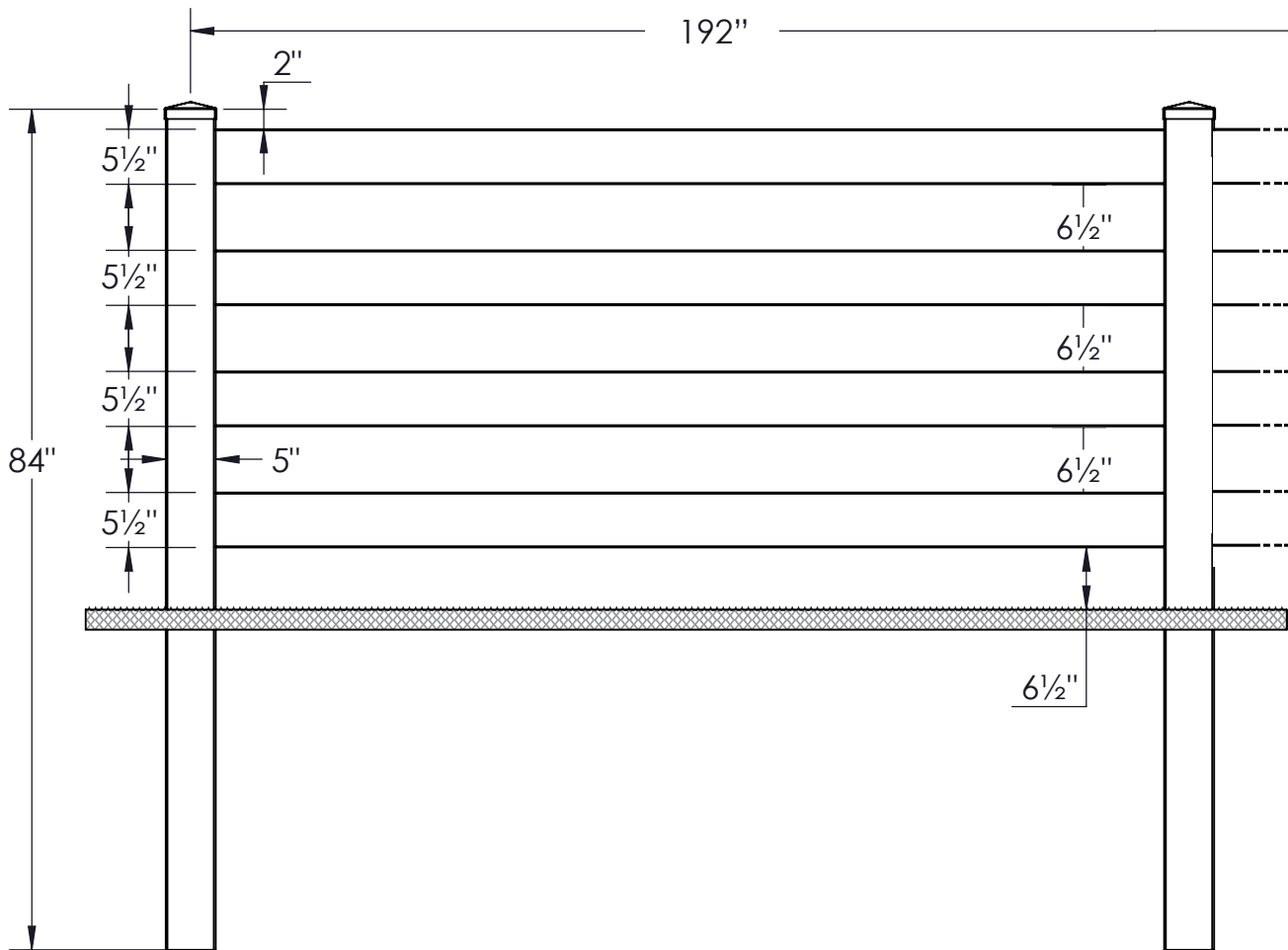
ROUTE PATTERN:

#R14

DWG NO.:

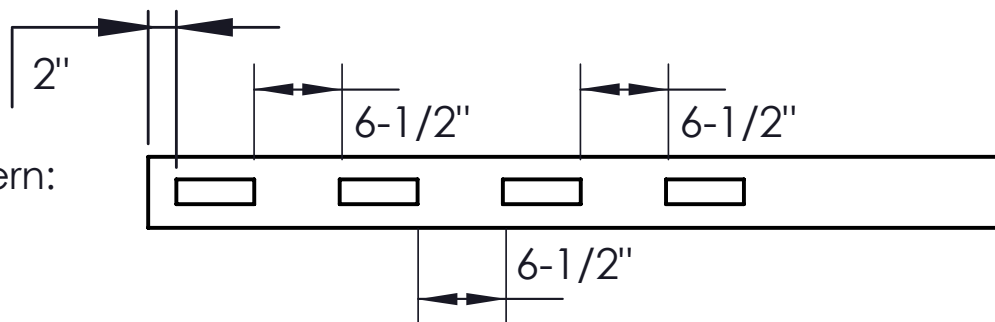
HVRR-11

1-1/2" x 5-1/2" Four Ranch Rail



Quantity	Item Key	Description
2	C55PYRA	5" X 5" External Pyramid Post Cap
4	F27M	1-1/2" x 5-1/2" x 192" Co-Ex Utility Value Rail
2	F10J	5" x 5" x 84" Co-Ex Utility Ranch Post
Ranch Rail RediPak HVP Bundle Item Keys		

Route Pattern:
#R15



This drawing is the property of Homeland Vinyl Products, Inc. It is not to be reproduced, copied or traced in whole or in part without the written consent of Homeland Vinyl Products, Inc.

TITLE:

1 1/2" x 5 1/2" Four Ranch Rail

DRAWN BY:

ALW

DATE:

5/2/2022

SCALE:

1 : 18

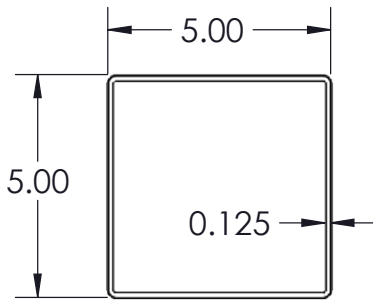
ROUTE PATTERN:

#R15

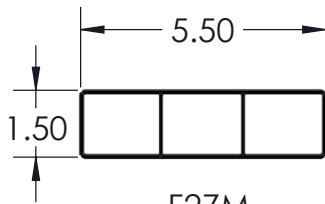
DWG NO.:

HVRR-12

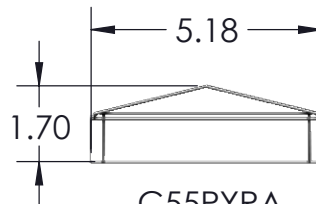
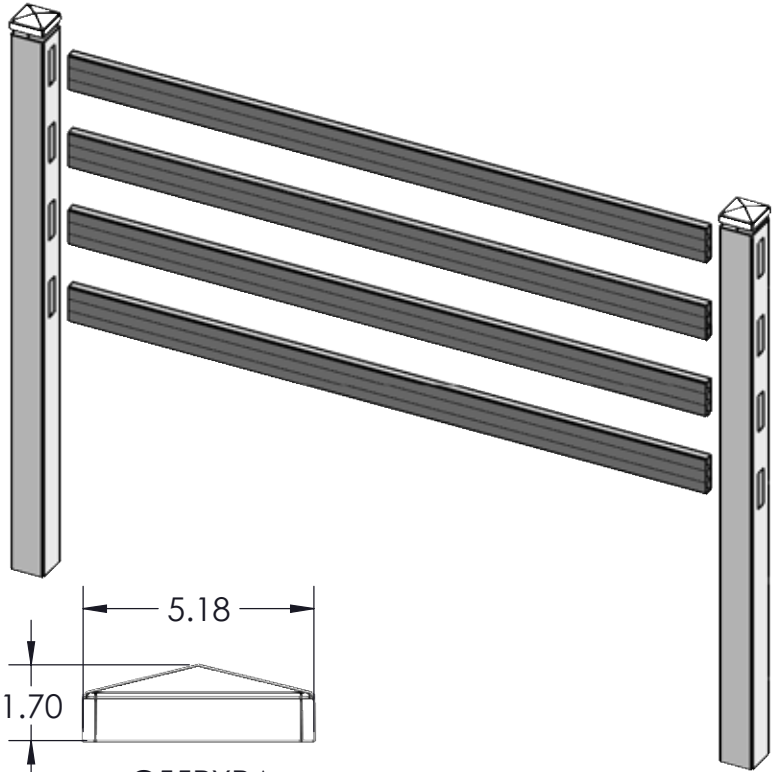
1-1/2" x 5-1/2" Four Ranch Rail



F10J
5" x 5"
Co-Ex Utility Ranch Post



F27M
1 1/2" x 5 1/2"
Co-Ex Utility Value Rail



C55PYRA
5" x 5"
External Pyramid Post Cap

PLANT AVAILABILITY

**ALABAMA and TEXAS
ONLY**

12 Rail Bundles PER TRUCK / **14** Post Bundles PER TRUCK
48' TRUCK ●●



This drawing is the property of Homeland Vinyl Products, Inc. It is not to be reproduced, copied or traced in whole or in part without the written consent of Homeland Vinyl Products, Inc.

TITLE:

1 1/2" x 5 1/2" Four Ranch Rail

DRAWN BY:

ALW

DATE:

5/2/2022

SCALE:

1 : 24

ROUTE PATTERN:

#R15

DWG NO.

HVRR-12